

Blowdown Solenoid Installation

Mount the blowdown solenoid vertically so that any residual moisture can be drained and prevent buildup and blockages inside the solenoid valve. Residual moisture can lead to premature wear on the valve and failure to depressurize the system.

Locate the blowdown solenoid in a suitable location that provides easy access to it. Use a 5/16" or M8 bolt with the hole provided in the bracket to mount the blowdown solenoid. Ensure the blowdown solenoid is orientated as shown in Figure 1 below. This orientation allows the solenoid to drain any residual moisture that may have entered during the compressor shutdown and pressure release cycle. Residual moisture can reduce the life of the solenoid or cause a blockage resulting in malfunction of the pressure release cycle on shutdown.

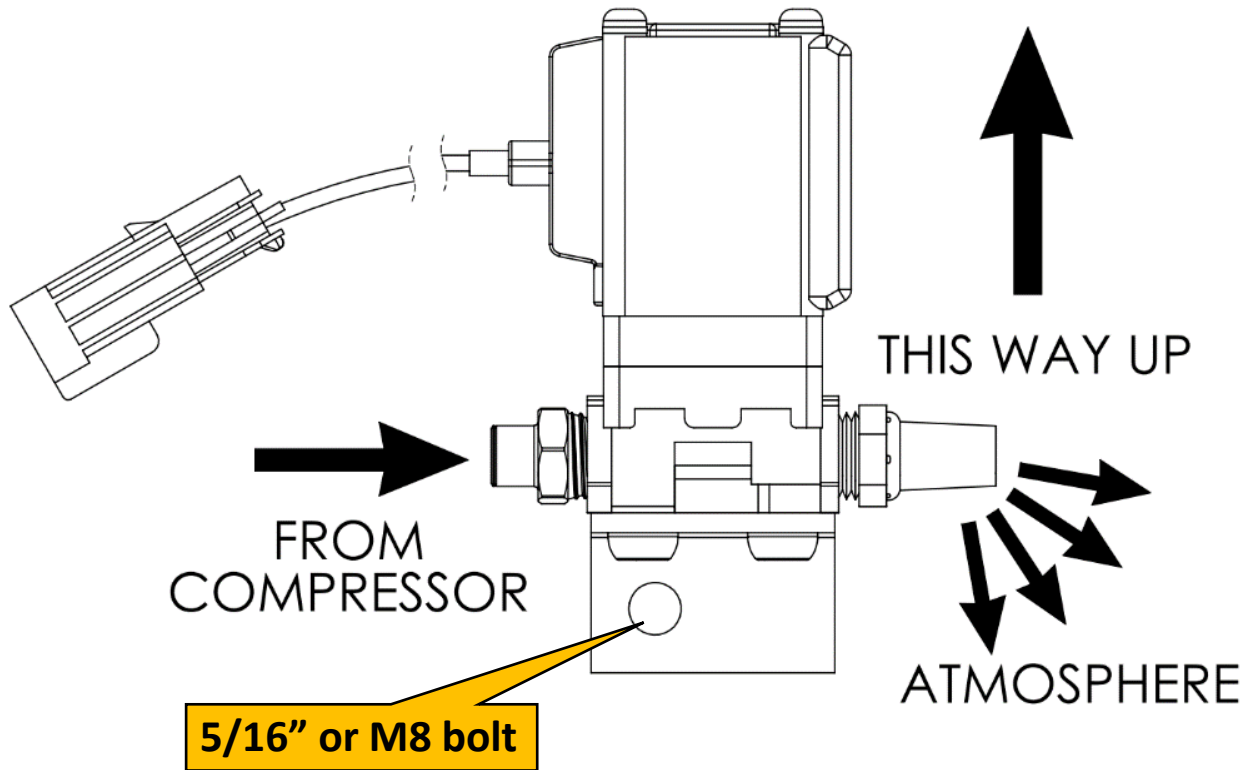


Figure 1 - Blowdown Solenoid Orientation

Document #: 1901142
Changes and Revisions

Revision	Revision Details	Revised by	Checked by				Implemented
			Eng.		Tech.	Qual.	
			Mech.	Elec.			
A	ECN-20-022: Development Release	NDB	PID	SRD	BDJ	AWM	27 JAN 2020