

## 4 BOLT PORT ADAPTOR ASSEMBLY INSTRUCTION

### INSTALLATION STEPS

#### Installing the Adaptor Plate

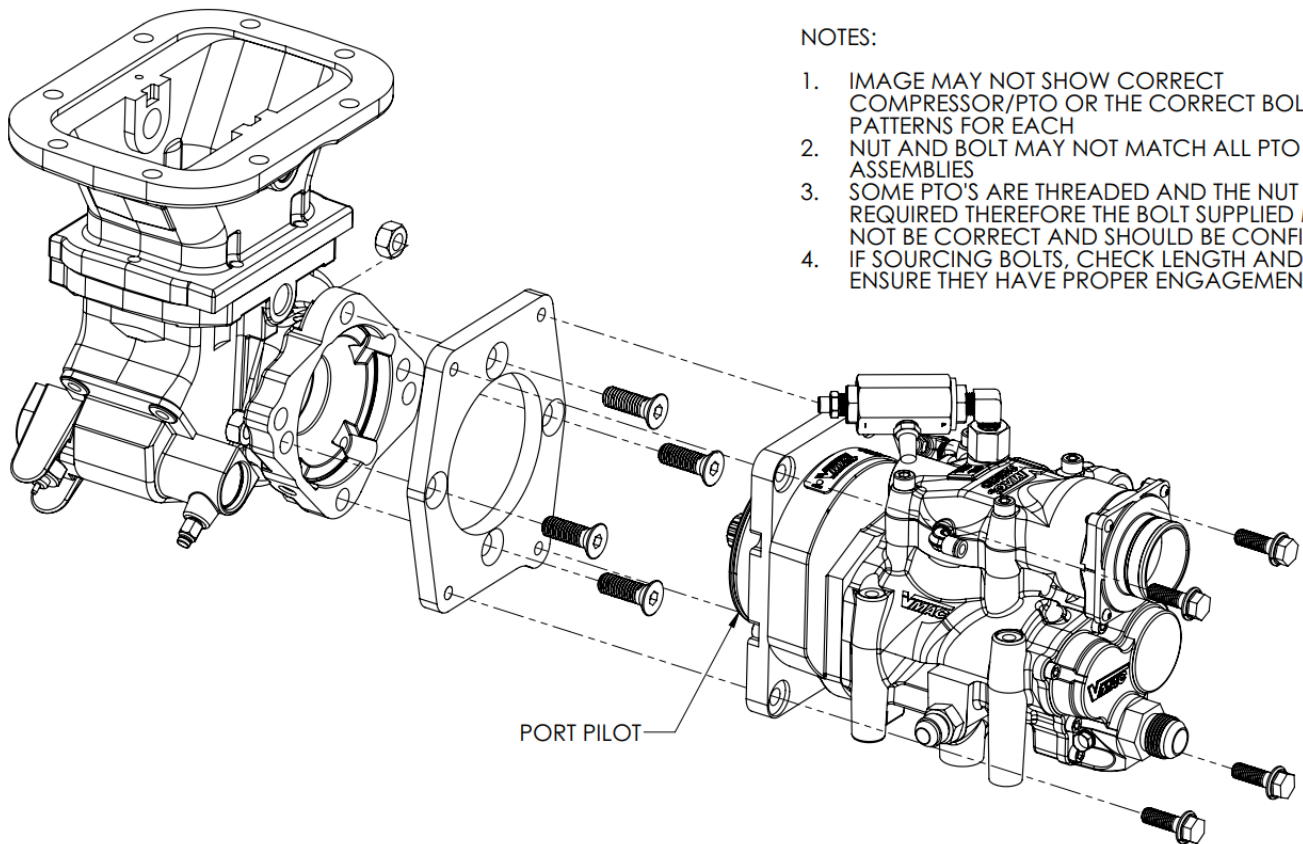
- Insert the 1/2" nut (if applicable) into the pocket in the port.
- Apply blue Loctite to the supplied 1/2" x 1/2" flat head socket bolts and install through the adaptor plate.
- Torque to 80 ft-lbs.

#### Spline Grease

- Apply spline grease to both the male and female sides of the spline.
- Apply oil to the large O-ring on the port pilot of the compressor.

#### Installing Compressor into Port

- Apply blue Loctite to the supplied M10x1.5x25 flange bolts.
- Attach compressor to port adaptor.
- Torque to 45 ft-lbs.



#### NOTES:

1. IMAGE MAY NOT SHOW CORRECT COMPRESSOR/PTO OR THE CORRECT BOLT PATTERNS FOR EACH
2. NUT AND BOLT MAY NOT MATCH ALL PTO ASSEMBLIES
3. SOME PTO'S ARE THREADED AND THE NUT IS NOT REQUIRED THEREFORE THE BOLT SUPPLIED MAY NOT BE CORRECT AND SHOULD BE CONFIRMED
4. IF SOURCING BOLTS, CHECK LENGTH AND ENSURE THEY HAVE PROPER ENGAGEMENT

Figure 1 – Installation Steps

| Version | Document | Department | Revision Details | Author | Reviewed by |      |     | Implemented |
|---------|----------|------------|------------------|--------|-------------|------|-----|-------------|
|         |          |            |                  |        | Tech.       | Eng. | Q/A |             |
| A       | 1901158  | OEM        | Document Release | RRP    | DMK         | SJH  | LPH | 06JUL2021   |

## 4 BOLT PORT ADAPTOR ASSEMBLY INSTRUCTION

### BOM AND ILLUSTRATED PARTS LISTS

#### B-Port Adaptor Kit, A210104

| Item # | Part #  | Qty | Description                         |
|--------|---------|-----|-------------------------------------|
| 1      | A210104 | 1   | ADAPTOR KIT, 4 BOLT B-PORT          |
| 1.1    | 3200577 | 1   | ADAPTOR, PORT, SAE-B 4B             |
| 1.2    | 1530541 | 4   | BOLT, FSCS, PL, NC, 1/2 X 1-1/2     |
| 1.3    | 1550103 | 4   | NUT, PREVAILING TORQUE NC, 1/2      |
| 1.4    | 1520563 | 4   | BOLT, HHCS FLPL G8.8 M10 X1.50 X 25 |
| 1.5    | A700313 | 1   | 15ML SHELL ALVANIA CG GREASE        |
| 1.6    | 1901158 | 1   | MANUAL, 4 BOLT PORT ADAPTOR         |

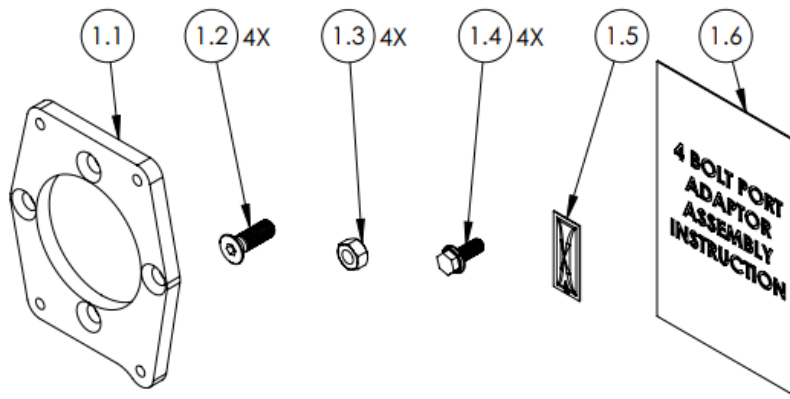


Figure 2 – A210104 Illustrated Parts List

#### C-Port Adaptor Kit, A210102

| Item # | Part #  | Qty | Description                         |
|--------|---------|-----|-------------------------------------|
| 1      | A210102 | 1   | ADAPTOR KIT, 4 BOLT C-PORT          |
| 1.1    | 3200557 | 1   | ADAPTOR, PORT, SAE-C 4B             |
| 1.2    | 1530541 | 4   | BOLT, FSCS, PL, NC, 1/2 X 1-1/2     |
| 1.3    | 1520563 | 4   | BOLT, HHCS FLPL G8.8 M10 X1.50 X 25 |
| 1.4    | A700313 | 1   | 15ML SHELL ALVANIA CG GREASE        |
| 1.5    | 1901158 | 1   | MANUAL, 4 BOLT PORT ADAPTOR         |

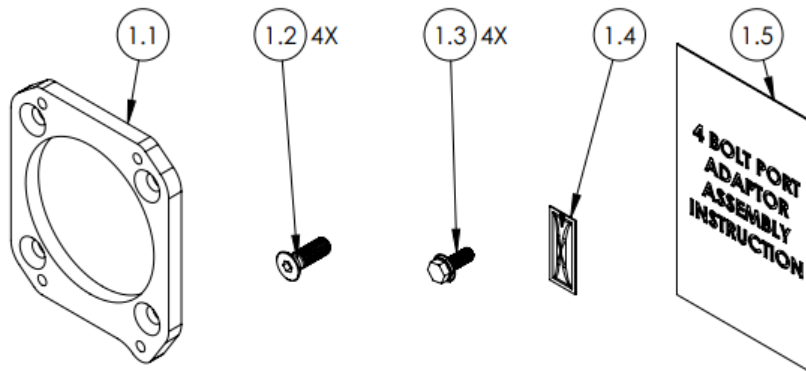


Figure 3 – A210102 Illustrated Parts List

| Version | Document | Department | Revision Details | Author | Reviewed by |      |     | Implemented |
|---------|----------|------------|------------------|--------|-------------|------|-----|-------------|
|         |          |            |                  |        | Tech.       | Eng. | Q/A |             |
| A       | 1901158  | OEM        | Document Release | RRP    | DMK         | SJH  | LPH | 06JUL2021   |