

Service Procedures for RAPTAIR60 Engine

First 50 Hour and Every 100 Hour Engine Service Kits A500007 (RAPTAIR60)

Engine Service Kit Contents


A 100 hour service kit will contain an **engine** oil filter, fuel filter, and 1.06 USG (4 liters) of 15W40 engine oil.

General Service Information

Safety and Service Precautions


Observe these precautions when performing any service:

- Never attempt to clean the air filter element with compressed air. Remove the air filter element from the air cleaner body and lightly tap or shake to remove any particulate or debris. Wipe out the inside of the air filter body with a dry cloth and reinstall air filter element.
- To prevent damage to the oil filter, always use a proper filter wrench. Never over-tighten the filter, as this may damage the seal or the filter.

 **You must make sure that there is no pressure left in the system. If there is a pressure gauge, make sure that it is at zero before commencing service. If you are not sure, attach a tool or air nozzle to the air outlet and make sure that there is no pressure.**

- Observe all safety procedures relating to moving belts, hot oil and compressed air. Use all safety equipment to protect yourself.
- Check the old oil for any evidence of metal filings or contamination; if found, contact your local Kubota dealer.

100 Hour Service Procedures

 **For complete engine maintenance routines, refer to the Kubota Engine Manual supplied with the RAPTAIR60 (VMAC p/n: 1900919).**

 **Follow all safety precautions outlined in the Kubota Engine manual and RAPTAIR60 manual when performing any maintenance routines.**

ENGINE AND COMPRESSOR MAINTENANCE CHECK LIST

MAINTENANCE ITEM	SERVICE INTERVAL				
	AFTER FIRST 50 HRS	EVERY			
		100 HRS	200 HRS	500 HRS	1000 HRS
Change engine oil					
Clean air cleaner element					
Clean fuel filter					
Replace engine oil filter					
Replace air cleaner element					
Change compressor oil and replace compressor oil filter					
Change compressor coalescing filter					

For a complete Engine Maintenance Check List, refer to the Kubota Diesel Engine Operator's Manual.
For compressor maintenance, refer to the RAPTAIR Owner's Manual.

1. Locate the Serviceable Components.

Locate the serviceable components in Figure 1, below.

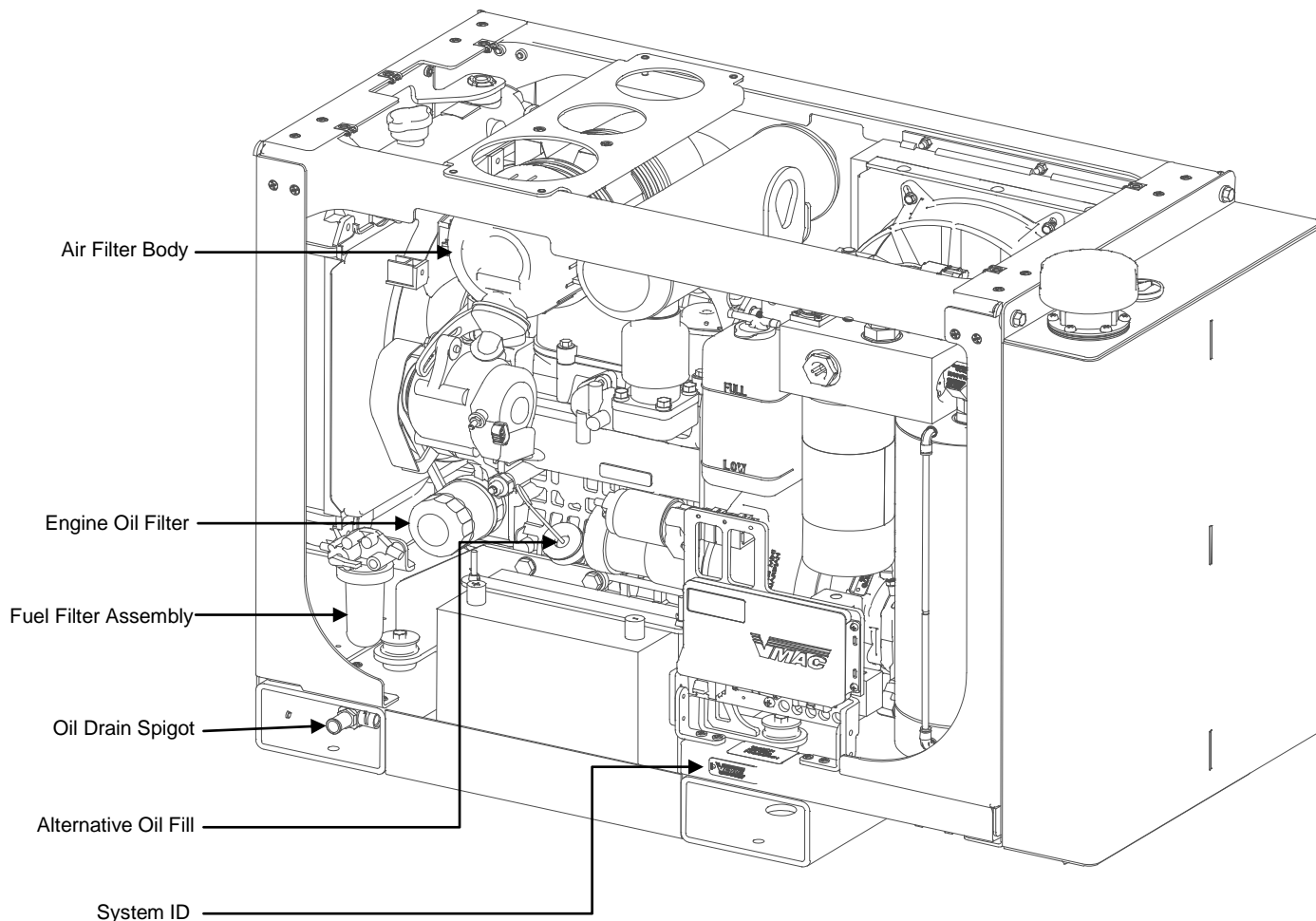
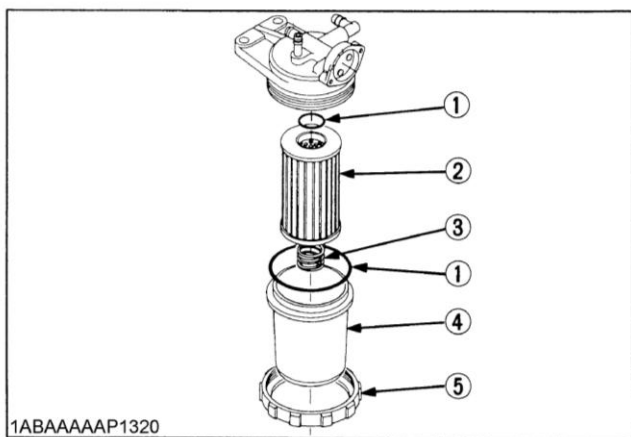


Figure 1 – Raptair with Service Panel Removed

2. Replacing the Fuel Filter



For your convenience, we have supplied a replacement fuel filter element. Replace the old fuel filter element and install the new one as seen in figure 2 below. Refer to the Kubota Engine Manual for complete disassembly and reassembly instructions.

- 1. O Ring
- 2. Filter element
- 3. Spring
- 4. Filter bowl
- 5. Screw ring



Please note the orientation of the fuel filter. Ensure the open end is oriented towards the top cap.

Figure 2: Fuel Filter Assembly

1ABAAAAAP1320

3. Draining Engine Oil

- Locate the drain port inside the rectangular tube below the radiator, and behind the bottom left corner, of the front service panel (Figure 3).
- Insert a hose over the drain valve outlet and open the valve to drain the oil into a container large enough to hold at least 1-1/2 US Gallons (6 liters). After the oil has drained, close the valve.

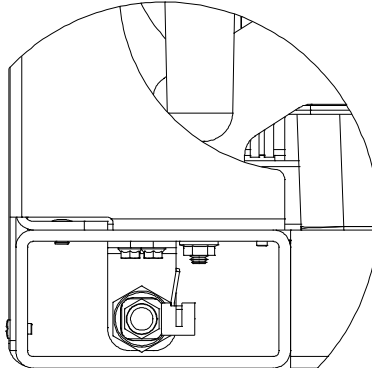


Figure 3: Engine Oil Drain Valve

4. Replacing the Engine Oil Filter.

- Locate and remove the old engine oil filter by turning counter clockwise (Figure 4). Replace with the new filter provided.

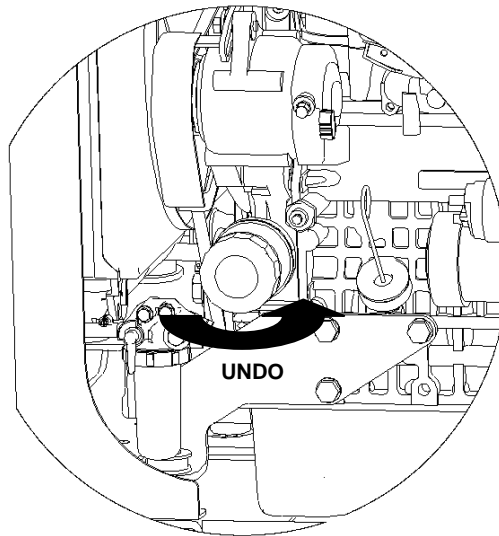


Figure 4: Engine Oil filter Removal

5. Adding Engine Oil

- Oil can be added using an accordion funnel with the engine's fill cap on the top of the engine. If an appropriate funnel is not available, the oil can be added using the dipstick port above the battery.

Document #1900968

Version	Revision Details	Revised by/date	Approved by/date	Implemented
A	Engineering Release	RK 01 Mar 2013	MH 13 Mar 2013	13 Mar 2013

Copyright 2013 All trademarks used in this manual are the property of the respective copyright holder. The contents of this manual may not be reproduced in any form without the express written permission of VMAC, 1333 Kipp Road, Nanaimo, BC V9X 1R3. Printed in Canada.

VMAC – Vehicle Mounted Air Compressors

Toll Free: 1-888-241-2289

Local 1-250-740-3200

Fax: 1-250-740-3201