

A500013

Tank Installation Instructions

RAPTAIR MULTIFUNCTION Diesel Driven Compressor

Important Information

The information in this manual is intended for certified VMAC installers who have been trained in installation procedures and for people with mechanical trade certification who have the tools and equipment to properly and safely perform the installation. Do not attempt this installation if you do not have the appropriate mechanical training, knowledge and experience.

Follow all safety precautions for mechanical work. If you have difficulty with the installation, contact VMAC.

To order parts, contact your VMAC dealer. Your dealer will ask for the VMAC serial number, part number, description and quantity. To locate your nearest dealer, call 1-888-241-2289, or see our website www.vmacair.com and click 'Find a Dealer'.

Notice: Manuals and products are subject to change without notice

Document #1900991

Version	Revision Details	Revised by/date	Checked by/date	Reviewed by/date	Implemented
A	ECN 14-001 :Release	MH – 15Jan2014	PD 31 Jan 2014	RD 31 Jan 2014	31 Jan 2014
A	Corr: update note on newer gen panels	MSP 16 Aug 2016	DB 16 Aug 2016	JKR 19 Aug 2016	19 Aug 2016

Copyright 2016

All trademarks used in this manual are the property of the respective copyright holder. The contents of this manual may not be reproduced in any form without the express written permission of VMAC, 1333 Kipp Road, Nanaimo, BC V9X 1R3.

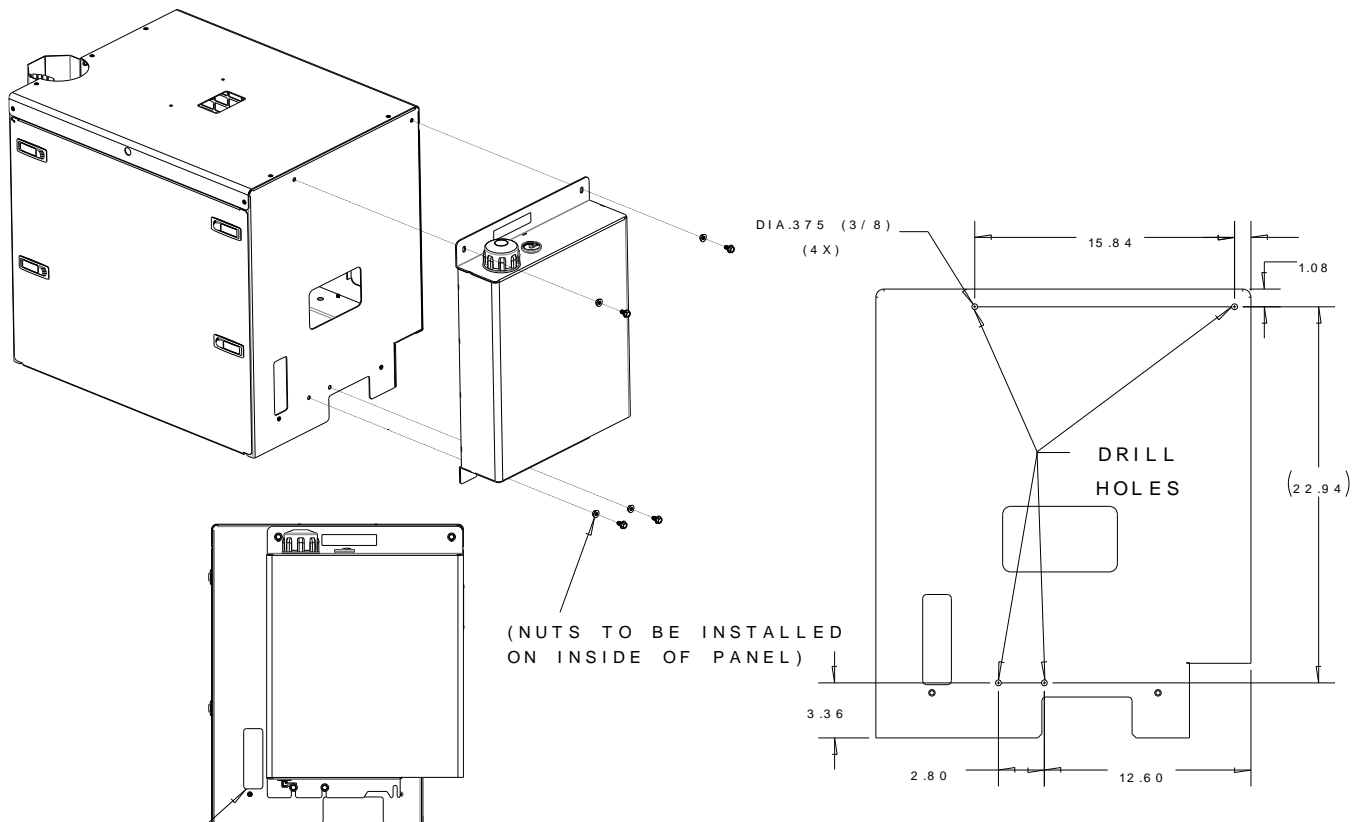
Printed in Canada

VMAC – Vehicle Mounted Air Compressors
Toll Free: 1-888-241-2289 Local: 1-250-740-3200
Fax: 1-250-740-3201

Fuel Tank Installation

(NOTE: The generator panel on newer units are equipped with mounting holes and PEM nuts.)

1. Mark and drill (4X) Mounting holes on generator side panel (This can be done with panel in place or removed)
 - Holes can be marked by one of the two following ways,
 - Using the measurements supplied on this drawing
 - Align the top and right side of the fuel tank with the top and radiator side panels of the Raptair-MF
2. Loosely install the fuel tank with supplied fasteners and align square with panels before tightening.
3. Connect the supply and return fuel lines from the Raptair-MF to the fuel tank using the supplied hose clamps. (The supply line is 5/16" and the return line is 3/16")
4. Connect the fuel level sensor to the Raptair-MF wiring harness.
5. Strap tie wires and hoses together after assembly.



(NUTS TO BE INSTALLED ON INSIDE OF PANEL)

GENERATOR SIDE PANEL
MOUNTING LOCATION

(NOTE: ONLY GENERATOR SIDE PANEL SHOWN IN THIS VIEW)

VMAC – Vehicle Mounted Air Compressors
Toll Free: 1-888-241-2289 Local: 1-250-740-3200
Fax: 1-250-740-3201