

# Installation Instructions for the A500029 – Crane Remote Interface

**Multifunction Power Systems D600005, D600007 – D600013**

**Operation**

The Crane Remote Interface kit provides external connections to allow control of the Multifunction’s remote start/stop, PTO, Genset, and Compressor enable/disable via a separate remote control. (remote not included)

**Important Information**

The information in this manual is intended for certified VMAC installers who have been trained in installation procedures and for people with mechanical trade certification who have the tools and equipment to properly and safely perform the installation. Do not attempt this installation if you do not have the appropriate mechanical training, knowledge and experience.

Follow all safety precautions for mechanical work. If you have difficulty with the installation, contact VMAC.

To order parts, contact your VMAC dealer. Your dealer will ask for the VMAC serial number, part number, description and quantity. To locate your nearest dealer, call 1-800-738-8622. (or visit [www.vmacair.com](http://www.vmacair.com))

Notice: Manuals and products are subject to change without notice

Document #1901005

Revision	Revision Details	Revised by	Checked by				Implemented
			Eng.		Tech.	Qual.	
			Mech.	Elec.			
A	Initial Release	AJH	N/A	MP	DSB	N/A	23 JAN 2015
B	ECN 15-101 Update connection details	AJH	MH	N/A	BC	N/A	19 Aug 2015
C	ECN: 20-140 Add applicable MF models	MSP	NAC	N/A	MSP	N/A	7 July 2020

**Copyright 2020**

All trademarks used in this manual are the property of the respective copyright holder. The contents of this manual may not be reproduced in any form without the express written permission of VMAC, 1333 Kipp Road, Nanaimo, BC V9X 1R3.

Printed in Canada

ITEM	DESCRIPTION	QUANTITY
1	Remote Interface	1
2	Tie-wraps	3
3	Screws	2
4	Loom	3'

## Overview

The Crane Remote Interface is designed to convert latching or momentary switched 12V signals into the low-side switching required by the Multifunction control system. It has 8 inputs, 4x latched and 4x momentary. Refer to your specific remote control documentation to determine the output logic and select the appropriate Crane Remote Interface inputs.

The Crane Remote Interface operates in parallel with the rocker-switch panel supplied with the multifunction. If either the rocker switch, or an input on the Crane Remote Interface is turned on then that function will be enabled. The rocker switch does not have to be enabled for the function to be enabled/disabled remotely.

## Installing the Electrical Connections

1. Ensure the key switch is in the OFF position.
2. Locate the 5-Pin connector at the base of the multifunction or at the other end of the cable at the switch panel (see Figure 1 and Figure 2 for location options). Connect the Crane Remote Interface in-line at either location.



**Note: Refer to wiring schematic in Figure 3 for specific wire colours and functions.**

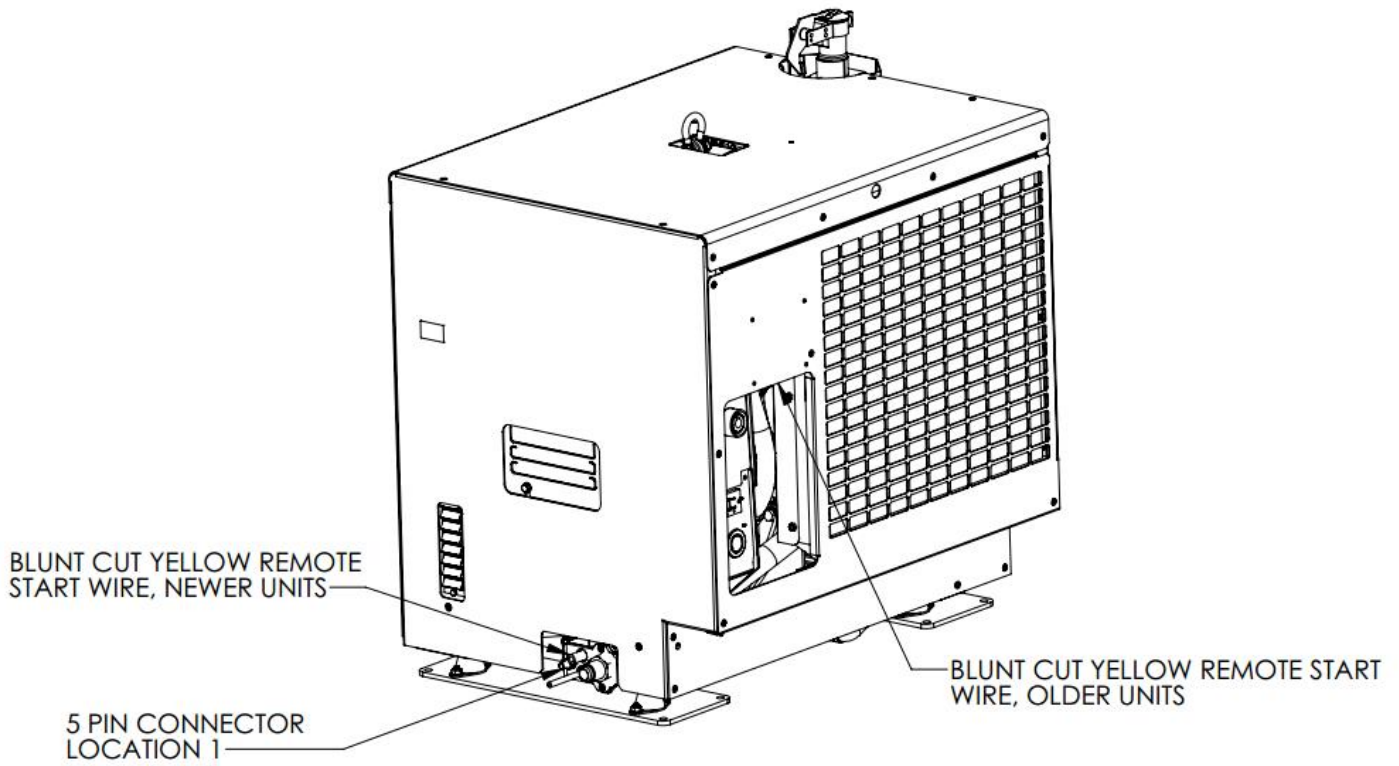
3. Locate yellow blunt cut remote start wire.
  - a. On newer units it is located at the base of the machine, coiled up beside the external air connections and electrical connectors. Refer to Figure 1 for location info.
  - b. On older units it is located below the control box. It is the 6" long blunt cut yellow wire on pin D3 of the 32 pin blue control box connector. Refer to Figure 1 for location info.
4. Extend wire out of machine and connect to the long yellow wire of the Crane Remote Interface.
5. Connect Chassis Ground wire to a ground shared with the Crane Controller.
6. Connect remote outputs of crane controller to Crane Remote Interface wires. See Figure 3 for details on wire selection.
  - a. Latched inputs accept 12V signals and will enable a particular function while receiving 12V. As soon as the 12V signal is removed the function will disable.
  - b. Momentary inputs accept 12V signals and will enable the specific function when 12V is applied and removed. The function will remain enabled until 12V is applied to and removed from that wire again.



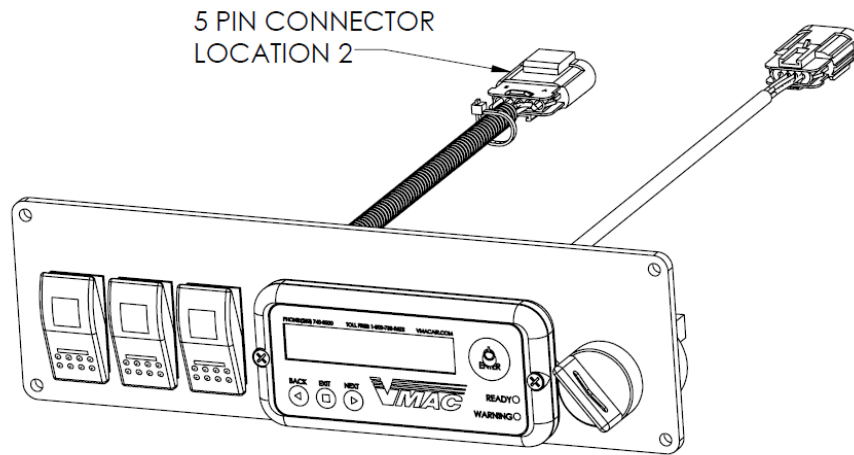
**Use only one input wire for each function. ie: do not connect both Latched and Momentary Engine Start/Stop wires.**

## Testing

1. Turn key switch to Run position without starting unit.
2. Ensure all rocker switches are in off position.
3. Apply 12V to either momentary or latched Compressor, PTO, or Genset input. Corresponding rocker switch LED should light up.
4. If the switch does not light up review Crane Remote Controller and VMAC diagrams to verify proper wiring.

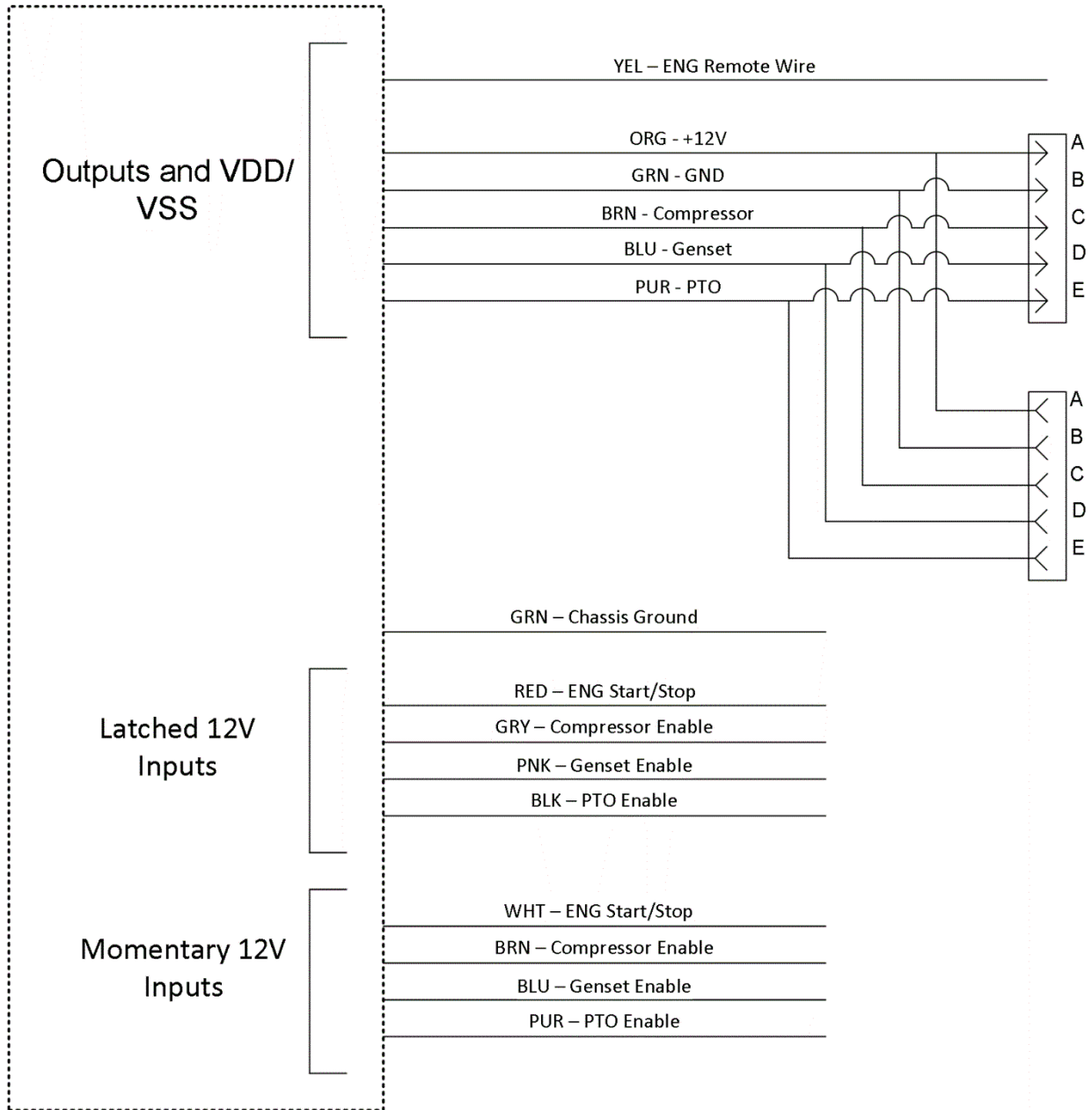


**Figure 1**



**Figure 2**

# Crane Remote Interface



**Figure 3**