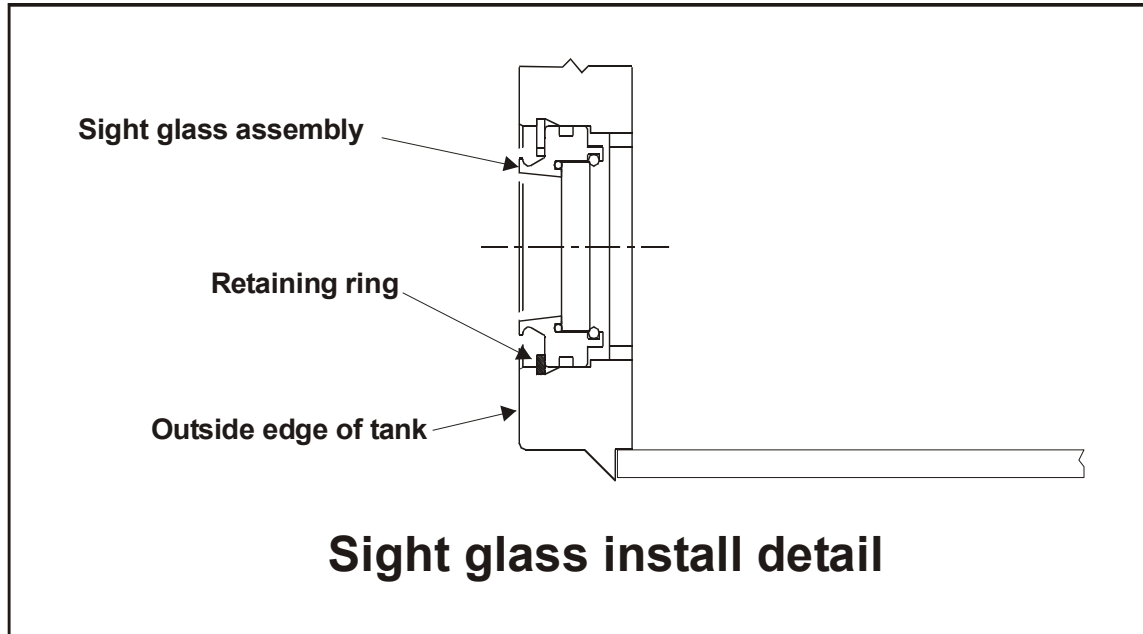


Sight glass Removal and Installation Instructions (Accessory Kit #A700061)



1. Drain the oil from the VR70 oil/air separator tank
2. Remove the sight glass retaining ring (Part #1500385)
3. Drill a 1/8" hole in the center of the sight glass (Part #3200033)
4. Install a self-tapping screw into the hole in the sight glass
5. Using locking pliers, attach to the screw and remove the sight glass from the VR70 tank
6. Lubricate the O-ring on the outside of the sight glass assembly.
7. Insert the assembly into the end of the tank as shown in the above illustration.
8. Secure the assembly in place by installing the new supplied retaining ring.
9. Refill the VR70 system with VMAC certified and approved synthetic compressor oil.
10. Allow 5 minutes for the oil to settle and inspect the system for leakage.