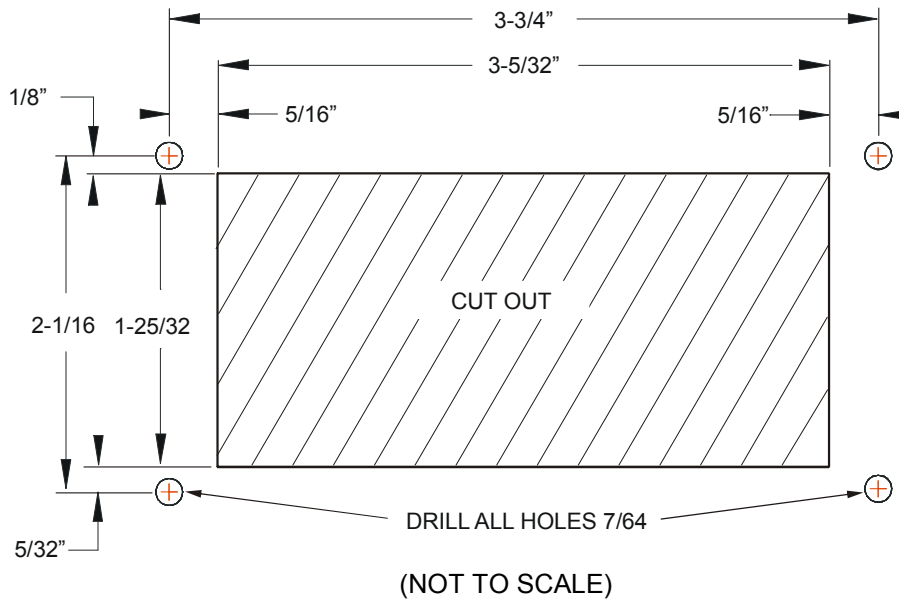


PREDATAIR SWITCH PANEL INSTALLATION

Mount the panel in a protected location as it is not weatherproof. If you are dash-mounting the panel, make sure there is sufficient space behind the location on the dash. Cut and drill the selected location using the dimensions in the following diagram.



1. Install the relay and the 30 Amp fuse holder near the battery positive terminal or similar location for easy access.
- For the following three connections, use 18 gauge wire.
2. Connect the orange wire from the switch panel to pin 86 on the relay using 18 gauge wire.
 3. Connect the green wire from the switch panel to pin 85 on the relay to ground using 18 gauge wire.
 4. Connect the red switch panel wire to a key switched 12 Volt source through a 1 Amp fuse using 18 gauge wire.
- For the following two connections, use the recommended gauges. Keep power wires as short as possible.

Length of Wire	Recommended Wire Gauge
Under 5 feet	12 Gauge
5 - 8 feet	10 Gauge
Over 8 feet	8 Gauge

5. Connect pin 87 of the relay to the red wire from the PREDATAIR.
6. Connect the free end of the supplied fuse holder to the battery positive terminal.

