

PREDATAIR 60

HYDRAULIC MOTOR REPLACEMENT KIT A700182 (SALAMI to MARZOCCHI)

Shut down the welder/compressor system. Allow the compressor system to fully depressurize. Allow sufficient time for all components to cool before commencing any servicing.



Failure to depressurize the system could cause parts to separate explosively, causing injury or death. A leak of high-pressure oil/air mixture spray can have enough force to penetrate the skin, which could cause serious injury or death.



The compressor and the compressor system get very hot during operation. Allow the system to cool before attempting service. Contact with hot components or hot oil can cause serious burns.

Installation of MARZOCCHI hydraulic motor

Parts required:

	QTY	Part #	Description
1	1	4500133	MOTOR, HYDRAULIC
2	1	4900136	CONNECTOR, 1" HOSE #12 ORB, 90 DEG
3	1	4900070	ELBOW, JIC, 7/8-14 X 1 1/16 -12
4	1	5000054	CONNECTOR, BRASS NPT- HOSE, 1/8-1/4
5	1	1710789	ASSEMBLY, HOSE, HYDRAULIC
6	8.0±.125	1700564	HOSE, HYDRAULIC, LOW PRESSURE, 1/4"
7	2	2200056	CLAMP, O, 1/2
8	9.0±.125	1700580	HOSE, SAE 100R4 #16
9	1	3200398	ADAPTER, # 6 ORB M – 1/8 NPT F
10	1	5830139	O-RING, BUNA, # 6 ORB

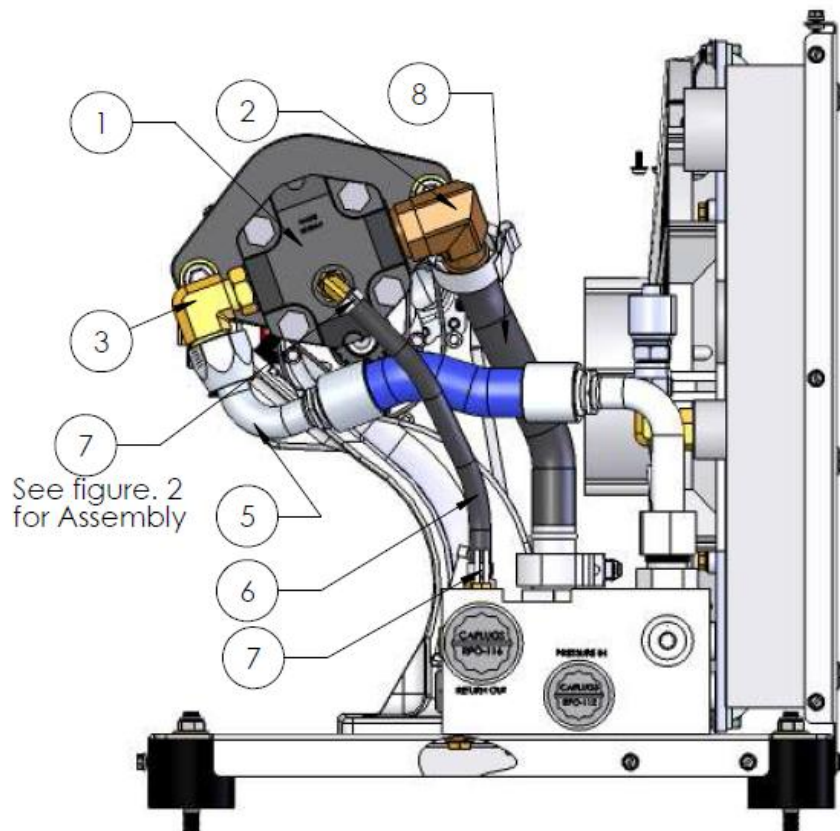
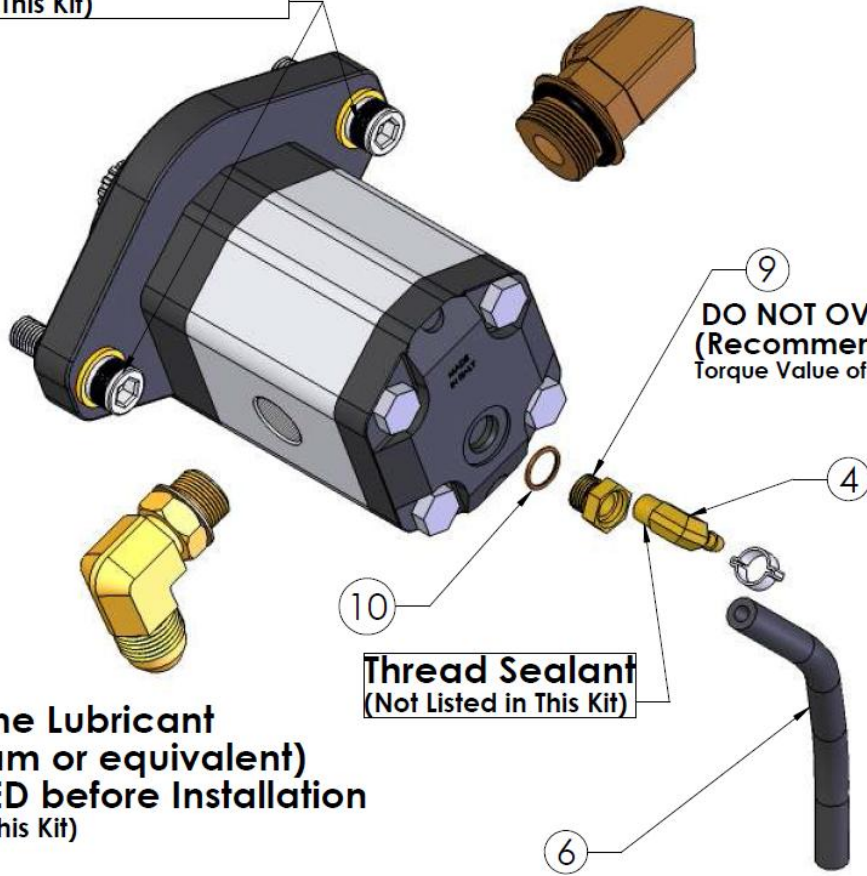


Figure 1. Main components in new hydraulic motor assembly

Reusable Bolts & Washers
(Not Listed in This Kit)



Note: Spline Lubricant
(i.e. red ram or equivalent)
is **REQUIRED** before Installation
(Not Listed in this Kit)

Figure 2. Detail view of case drain assembly

Document 1900954

Version	Revision Details	Revised by - Date	Approved by - Date	Implemented Date
A	ECN 12-168: ENGINEERING RELEASE	E.Arjmand, 27/Nov/2012	MH 04 Dec 2012	04 Dec 2012



Toll Free: 1-800-738-8622 Local: 1-250-740-3200 Fax: 1-250-740-3201