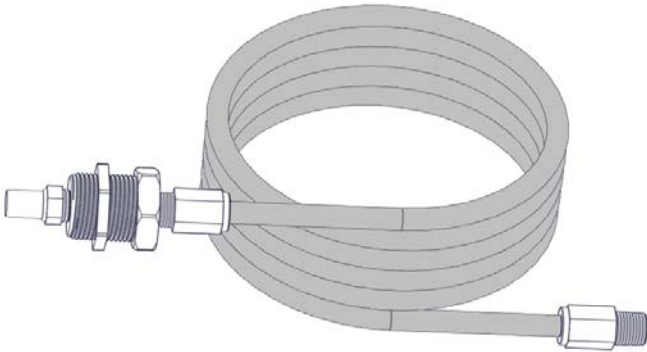


# Installation Manual

## A700224 WHASP Remote Blowdown Muffler



<b>Introduction .....</b>	<b>3</b>
<b>Tools Required .....</b>	<b>3</b>
<b>Part List .....</b>	<b>3</b>
<b>Installation .....</b>	<b>4</b>
1.1 Muffler Removal .....	4
1.2 Remote Muffler Installation .....	6
1.3 System Testing.....	10
<b>Accessory Products .....</b>	<b>11</b>

Changes and Revisions

Version	Revision Details	Revised by/date	Checked by/date	Reviewed by/date	Implemented
A	ECN 15-099 Engineering Release	RF 26 Aug 2015	GB 28 Aug 2015	CH 28 Aug 2015	31 Aug 2015

## Important Information



This symbol is used to call your attention to instructions concerning your personal safety. Watch for this symbol; it points out important safety precautions, it means “attention, become alert! Your personal safety is involved. Read the message that follows and be alert to the possibility of personal injury or death. Be alert; your safety is involved. While it is impossible to warn about every conceivable hazard, let good common sense be your guide.



This symbol is used to call your attention to additional instructions or special emphasis on a specific procedure.

The information in this manual is intended for certified VMAC installers who have been trained in installation procedures and for people with mechanical trade certification who have the tools and equipment to properly and safely perform the installation. Do not attempt this installation if you do not have the appropriate mechanical training, knowledge and experience.

Follow all safety precautions for under hood mechanical work. Any grinding, bending or restructuring operations for correct fit in modified trucks must follow standard shop practices.

These instructions are a general guide for installing this product on standard production trucks and do not contain information for installation on non-standard trucks. If you have difficulty with the installation, contact VMAC.

**To order parts, contact your VMAC dealer. Your dealer will ask for the VMAC serial number, part number, description and quantity. To locate your nearest dealer, call 1-888-241-2289.**

### Copyright 2016

All trademarks used in this manual are the property of the respective copyright holder. The contents of this manual may not be reproduced in any form without the express written permission of VMAC, 1333 Kipp Road, Nanaimo, BC V9X 1R3.

Printed in Canada

**VMAC – Vehicle Mounted Air Compressors**

Toll Free: 1-888-241-2289

Fax: 1-250-740-3201

# Introduction

The WHASP Tank automatically depressurizes to prevent the clutch from starting while there is air pressure in the system, this is done to extend the life of the clutch and belt.

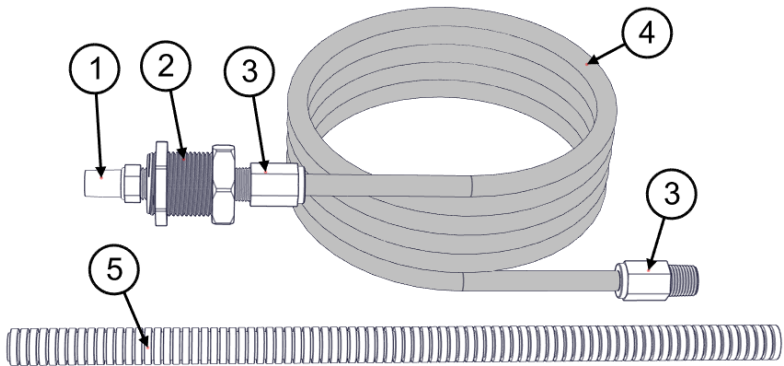
The A700224 WHASP remote mount muffler kit is designed to relocate the blowdown muffler to an external location. This is recommended for applications where the WHASP tank will be located inside of a van or service body, the remote mounted muffler will reduce cabin noise when the compressor blowdown operates, and will ensure that any oil vapor will be safely discharged outside of the vehicle.

## Tools Required

### Tools Required

- Tubing cutter, or sharp knife
- Thread sealing compound

## Part List



Item	Part Number	Quantity	Description
1	4500104	1	Muffler, Sintered Exhaust 1/8"
2	5000178	1	Connector, Brass, Bulkhead 1/8
3	5000012	2	Connector, Brass NPT-POLY, 1/8 - 1/4
4	1700570	36"	Tube, Teflon, PTFE 1/4" OD
5	1700581	36"	Loom, Split Plastic, 1/4" HIGH TEMP

### VMAC – Vehicle Mounted Air Compressors

Toll Free: 1-888-241-2289

Fax: 1-250-740-3201

# Installation

## 1.1 Muffler Removal

- Ensure the compressor system is turned off, safe to work on and has completely blown down.
- Confirm the system has completely depressurized by pulling on the pressure relief valve ring. (Figure 1)

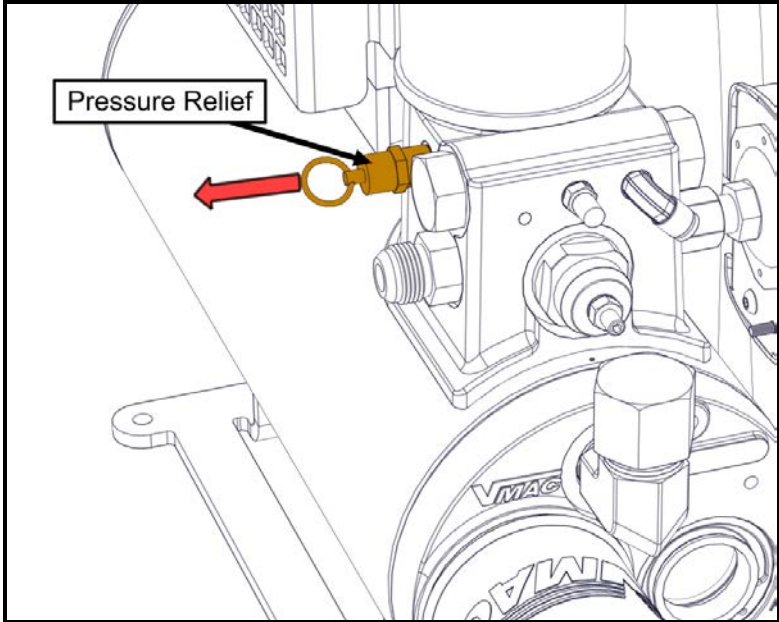


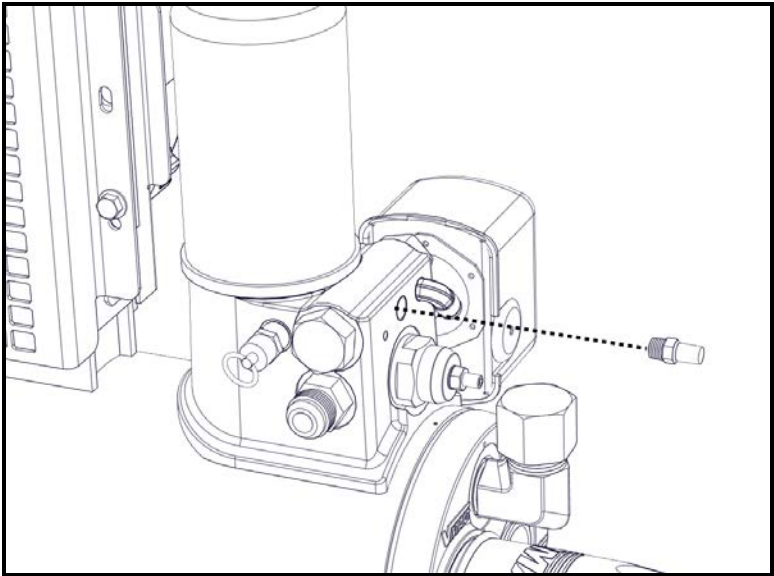
Figure 1 – Pressure relief valve

**VMAC – Vehicle Mounted Air Compressors**

Toll Free: 1-888-241-2289

Fax: 1-250-740-3201

- Remove the blowdown muffler from the side of the WHASP tank, below the coalescing filter. (Figure 2)



**Figure 2 – Blowdown muffler**



***After removal of the muffler, ensure no debris falls into the orifice. Contamination of the mechanical assembly may cause depressurizing to malfunction and will not allow the air system to depressurize.***

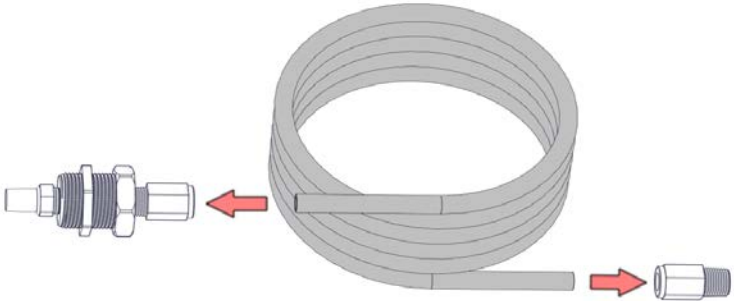
**VMAC – Vehicle Mounted Air Compressors**

Toll Free: 1-888-241-2289

Fax: 1-250-740-3201

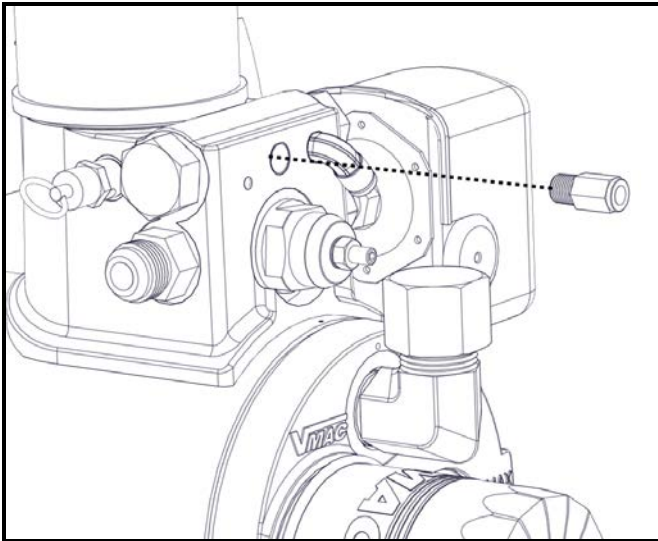
## 1.2 Remote Muffler Installation

- Separate the plastic line from both fittings. (Figure 3)



**Figure 3 – Dissassembly**

- Apply thread sealing compound, and install the provided 1/4" Push-To-Connect fitting into the threaded hole which previously held the blowdown muffler. (Figure 4)



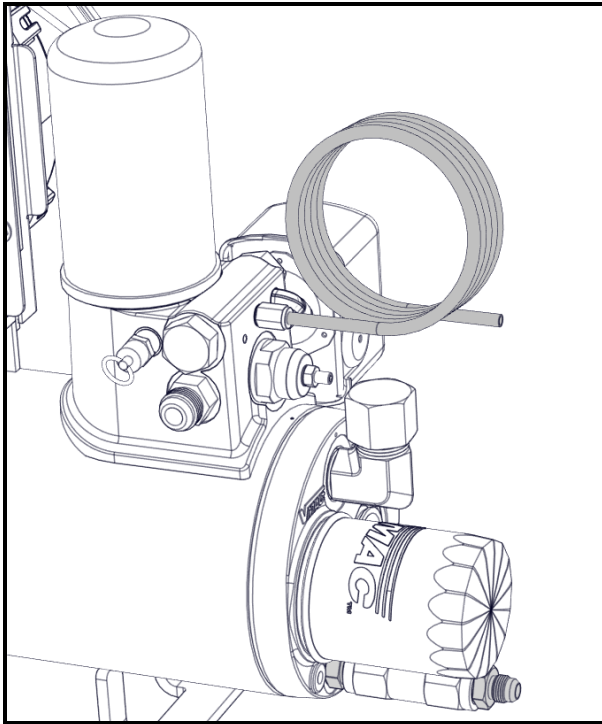
**Figure 4 – Fitting installation**

**VMAC – Vehicle Mounted Air Compressors**

Toll Free: 1-888-241-2289

Fax: 1-250-740-3201

- Loom the tube with supplied 1/4" plastic split loom.
- Connect the 1/4" plastic line into the push-to-connect fitting installed in the WHASP tank. (Figure 5)



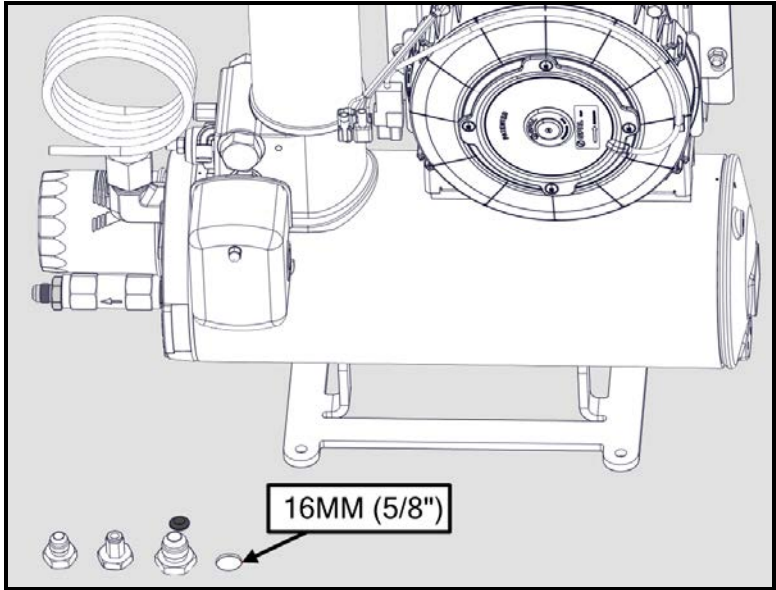
**Figure 5 – Tubing Installation**

**VMAC – Vehicle Mounted Air Compressors**

Toll Free: 1-888-241-2289

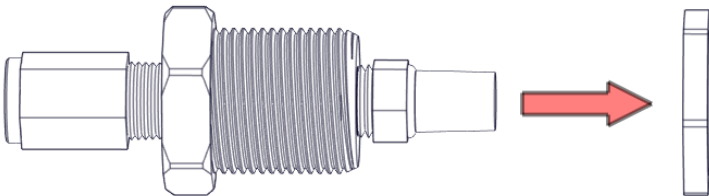
Fax: 1-250-740-3201

- Find a good position for the bulkhead blow-down fitting to be installed next to the existing bulkhead fittings.
- Use a 16mm (5/8") hole saw, ensure there are no components that will be damaged on the other side of the panel you are drilling. (Figure 6)



**Figure 6 – Bulkhead hole**

- Remove the locking nut from the remote muffler assembly.



**Figure 7 – Bulkhead blowdown assembly**

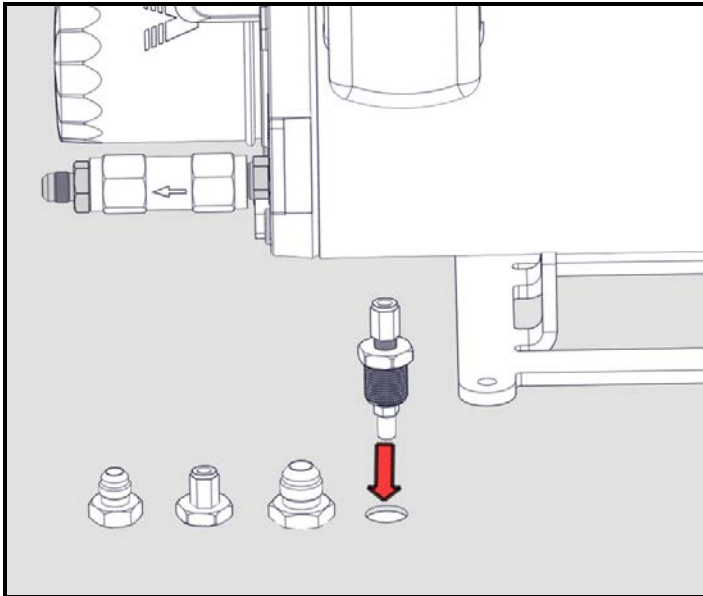
**VMAC – Vehicle Mounted Air Compressors**

Toll Free: 1-888-241-2289

Fax: 1-250-740-3201

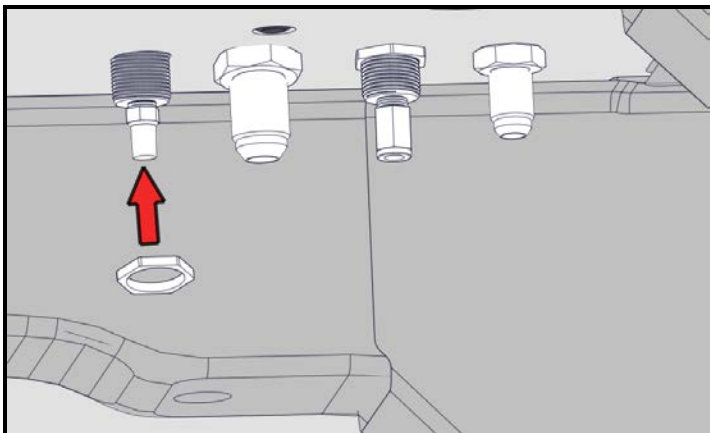


- Install the bulkhead fitting through the hole in the floor, install the locking nut on the opposite side of the sheet metal to hold the fitting in place. (Figure 8)



**Figure 8 – Installing the fitting**

- Install the lock-nut on the other side of the panel. (Figure 9)



**Figure 9 – Installing the fitting**

**VMAC – Vehicle Mounted Air Compressors**

Toll Free: 1-888-241-2289

Fax: 1-250-740-3201

- Ensure lines are not going to kink and cut them to length



***Ensure tubing is cut square, and that there are no sharp edges. Do not use side cutters as this will deform the tube.***

- Connect the ¼" supplied plastic line into the push-to-connect fitting in the muffler bulkhead assembly.
- Secure the loom protected plastic line using the plastic ties.

### **1.3 System Testing**

- Start VMAC system.
- Ensure system is operating normally. When the system is shut off the compressed air built up in the system should expel out the remote mounted muffler leaving the system depressurized for start-up.
- If system does not operate normally ensure lines are connected correctly. If problem still exists contact VMAC technical support at 1-888-241-2289 or tech@vmacair.com.

# Accessory Products

The following accessory products for your VR compressor system are available from VMAC. For more information or to order these products, call 1-800-738-8622.

	<p style="text-align: center;"><b>Eliminator Aftercooler</b></p> <p><b>Part Number A800070</b></p> <p>Removes up to 80% of moisture from compressed air. Quick installation, automatic drain and compact design</p>
	<p style="text-align: center;"><b>Filter Regulator Lubricator</b></p> <p><b>Part Number A700151</b></p> <p>Removes lubricants, water and dirt from the air stream. Adds atomized tool oil to lubricate tools. Reduces pressure for longer tool life.</p>
	<p style="text-align: center;"><b>Hose Reel</b></p> <p><b>Part Number A700007</b></p> <p>Secure, compact, retractable hose storage in a sturdy reel.</p>
	<p style="text-align: center;"><b>Air Receiver Tank</b></p> <p><b>Part Number A300010</b></p> <p>Thirty-five gallon capacity in a compact tank, complete with fittings and a gauge.</p>
	<p style="text-align: center;"><b>De-icer Kit</b></p> <p><b>Part Number A700031</b></p> <p>Insulated rope heater prevents freezing of lines and regulator.</p>
	<p style="text-align: center;"><b>Service Kits</b></p> <p><b>VR150    200 hour Part Number A700059</b>  <b>VR150    400 hour Part Number A700060</b></p> <p><b>VR70      200 hour Part Number A700019</b>  <b>VR70      400 hour Part Number A700020</b></p> <p>Using OEM service products will extend the life of your system. Includes oil, filters, seals and O-rings. 200 hour and 400 hour service interval kits are available</p>

**VMAC – Vehicle Mounted Air Compressors**

Toll Free: 1-888-241-2289

Fax: 1-250-740-3201