

# Illustrated Parts List for VMAC System S700171 Cummins 4.5 VR70

1. Kit Pack List.....	2.
2. Fastener Pack, 3800990 .....	4.
3. Compressor Assembly, P120164 .....	6.
4. Compressor Sub Components, P120163 .....	7.
5. Inlet Valve Sub Component, 9200509 .....	8.
6. Main Bracket Assembly, 4800671 .....	9.
7. Tank, VR70, 9200430 .....	10.
8. Air Filter Assembly, 4900668 .....	12.

NOTE: Drawings are not to scale.

Document 1930228

### Changes and Revisions

Version	Revision Details	Revised by /date	Checked by /date	Reviewed by /date	Implemented
A	ENGINEERING RELEASE	AP 03NOV14	MP 07 Nov 2014	RD 07 Nov 2014	10 Dec 2014

**VMAC – Vehicle Mounted Air Compressors**

Toll Free: 1-800-738-8622

Local: 1-250-740-3200

Fax: 1-250-740-3201

## 1. Kit Pack List

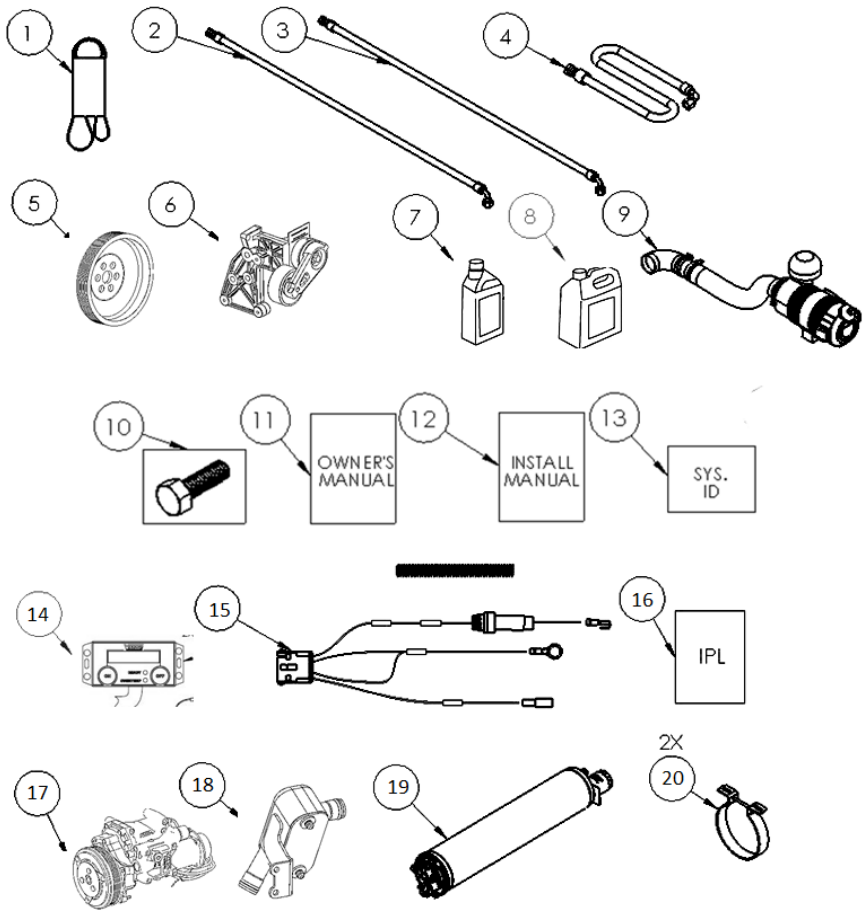
Item #	Part #	Qty	Description
1	1610357	1	BELT, K060458
2	1752028	1	HOSE, CRIMPED, 1/2"X28"
3	1752062	1	HOSE, CRIMPED, 1/2"X62"
4	1772045	1	HOSE, CRIMPED, 3/4"X45"
5	1800228	1	PULLEY, CRANK, CUMMINS 4.5
6	4800671	1	ASSEMBLY, MAIN BRACKET, S700171
7	A700091	1	OIL, VR, 1L, HIGH PERFORMANCE
8	A700094	1	OIL, VR, 4L, HIGH PERFORMANCE
9	4800668	1	ASSEMBLY, AIR FILTER
10	3800990	1	FASTENER PACK, S700171
11	1930060	1	MANUAL, OWNERS GENERIC, VR70 & VR150
12	1930227	1	MANUAL, INSTALLATION, S700171
13	4800669	1	SYS ID & OP INSTR, S700171
14	3550886	1	VR CONTROL BOX, 500/1000 SERVICE
15	3550857	1	CABLE, INTERFACE
16	1930228	1	ILLUSTRATED PARTS LIST, S700171
17	P120164	1	ASSEMBLY, COMPRESSOR, S700171
18	9200528	1	WELDMENT, COOLER
19	9200430	1	TANK, VR70 DRESSED INT OIL FILTER
20	2200105	2	CLAMP, MOUNTING BRACKET C, 6

**VMAC – Vehicle Mounted Air Compressors**

Toll Free: 1-800-738-8622

Local: 1-250-740-3200

Fax: 1-250-740-3201



**Figure 1 - Kit Pack List**

2. Fastener Pack, 3800990

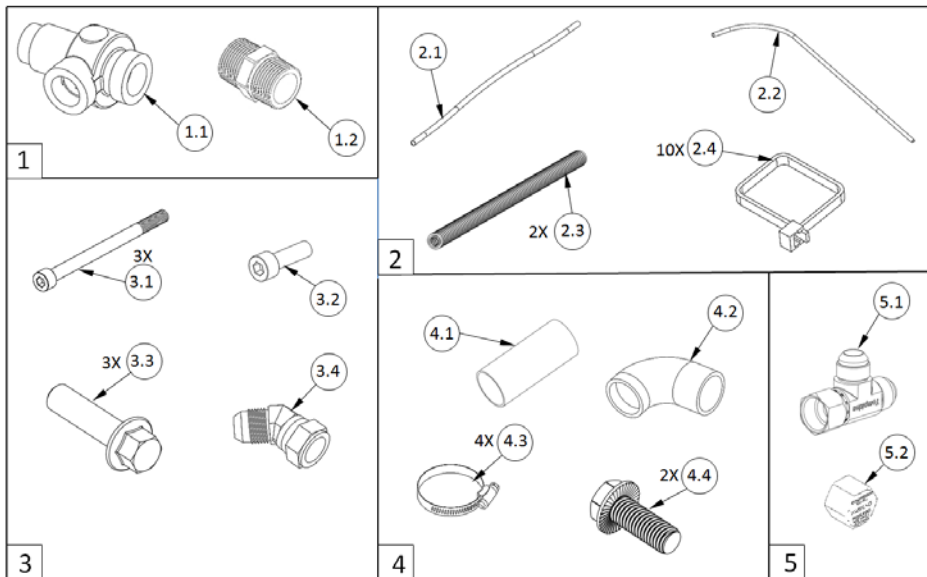
Item #	Part #	Qty	Description
1	3800948	1	FAST PACK, MIN PRESSURE CHECK VALVE
1.1	3600152	1	VALVE, 60 PSI MIN PRESSURE CHECK
1.2	5000155	1	NIPPLE , BRASS, HEX, 3/4-3/4
2	3800991	1	FASTENER PACK, AOST
2.1	1700571	120"	TUBE, TEFLON,PTFE, 3/16"OD X 1/8"ID
2.2	1700570	120"	TUBE, TEFLON, PTFE, 1/4"OD
2.3	1700581	2x118"	LOOM, SPLIT PLASTIC, 1/4, HIGH TEMP
2.4	2200039	10	TIE, NYLON MD, 7"
3	3801000	1	FAST PACK, MAIN BRACKET/AIR END
3.1	1540521	3	BOLT, SHCS, PL, M8 X 1.25 X 110
3.2	1540526	1	BOLT, SHCS, BH, M8 X 1.25 X 20
3.3	1540572	3	BOLT,HHCS,FL PL,M12 X1.75 X45 G10.9
3.4	4900036	1	ELBOW, STEEL JIC SWIVEL 45, 3/4
4	3800992	1	FASTENER PACK, COOLER
4.1	1700617	5.0"	HOSE, RADIATOR, 2" ID
4.2	1700601	1	HOSE, RUBBER ELBOW 2" X 90DEG
4.3	2200043	4	CLAMP, HOSE HS36
4.4	1520624	2	BOLT, HHCS FL,LK,PL M12 X 1.75 X 30
5	3800825	1	FASTENER PACK, HOSE
5.1	4900162	1	TEE, RUN, STEEL #12JIC
5.2	4900164	1	FITTING, MODIFIED

**VMAC – Vehicle Mounted Air Compressors**

Toll Free: 1-800-738-8622

Local: 1-250-740-3200

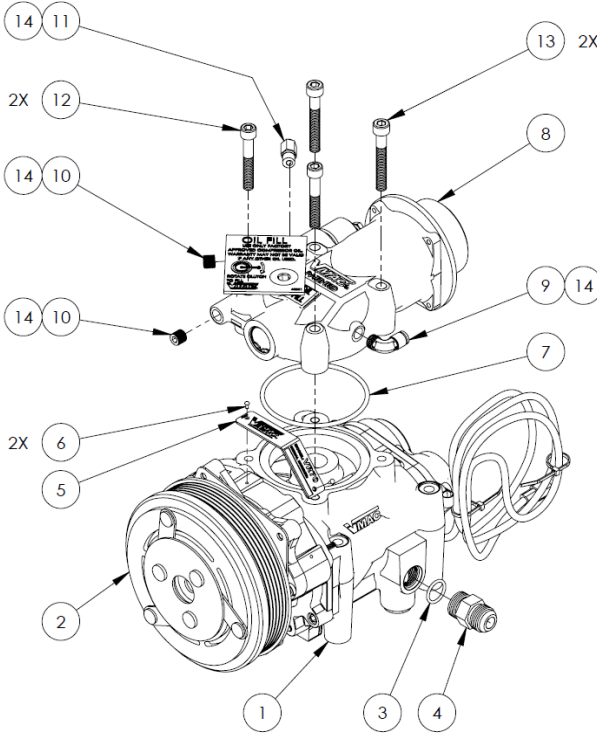
Fax: 1-250-740-3201



**Figure 2 - Fastener Pack**

### 3. Compressor Assembly, P120164

ITEM	PART #	QTY	DESCRIPTION
1	P120163	1	VR70 COMPRESSOR ASSEMBLY
2	P200035	1	CLUTCH, COMPLETE 6 GROOVE
3	5830132	1	O-RING, VITON, # 8 ORB
4	4900046	1	CONN, STL,3/4-16 O-RING TO 1/2 TUBE
5	4400295	1	LABEL, VR70 NAME PLATE
6	1500355	2	SCREW, LONG U DRIVE, 2 - 3/16
7	5830004	1	O-RING, VITON, 3 1/8 ID X 1/8
8	9200509	1	ASSEMBLY, INLET VALVE
9	5000020	1	ELBOW, BRASS NPT-POLY, 1/8-1/4
10	4300076	2	PIPE FTG, PLUG SKT HEAD, 1/8
11	5000162	1	CONNECT,BRASS NPT-POLY,3/16-1/8 NPT
12	1540550	2	BOLT,SHCS,M8 X 1.25 X 50, G12.9 PLT
13	1540530	2	BOLT,SHCS,M8 X 1.25 X 55, G12.9 PLT
14	5400345	A/R	LOCTITE,592,THREADSEALANT SLOW CURE



**Figure 3 - Compressor Assembly**

**VMAC – Vehicle Mounted Air Compressors**

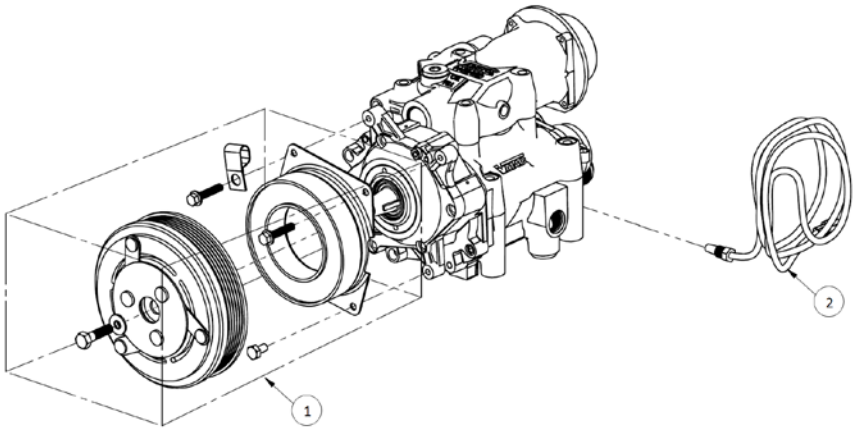
Toll Free: 1-800-738-8622

Local: 1-250-740-3200

Fax: 1-250-740-3201

#### 4. Compressor Sub Component, P120163

Item #	Part #	Qty	Description
1	P200035	1	CLUTCH CPMPLETE 6 GROOVE
2	3550682	1	TEMPERATURE PROBE



**Figure 4 – Compressor Sub Components**

5. Inlet Valve Sub Components, 9200509

Item #	Part #	Qty	Description
1	A700137	1	KIT, REGULATOR
2	4900045	1	PLUG, STEEL HEX SAE/O-RING PORT
3	5830002	1	O-RING, VITON, 2 3/8 ID X 3/32
4	5830070	1	O-RING, VITON, 2 9/16 ID X 3/32
5	5830129	1	O-RING, 40D SIL., 1 7/8 ID X 3/16

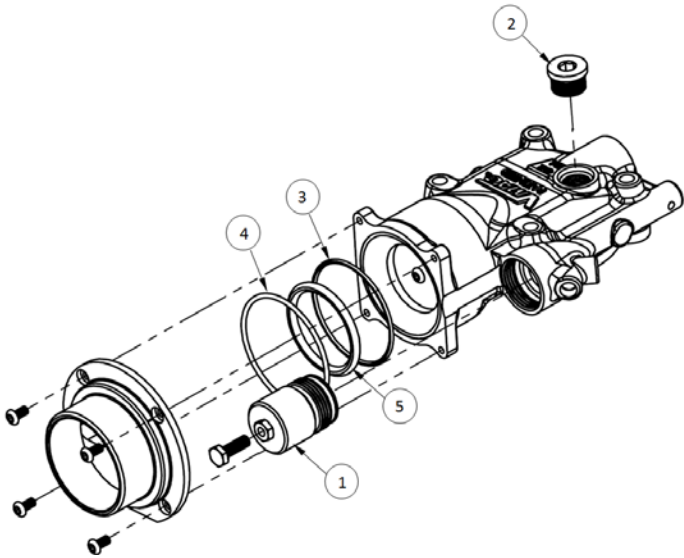


Figure 5 - Inlet Valve Sub Components

**VMAC – Vehicle Mounted Air Compressors**

Toll Free: 1-800-738-8622

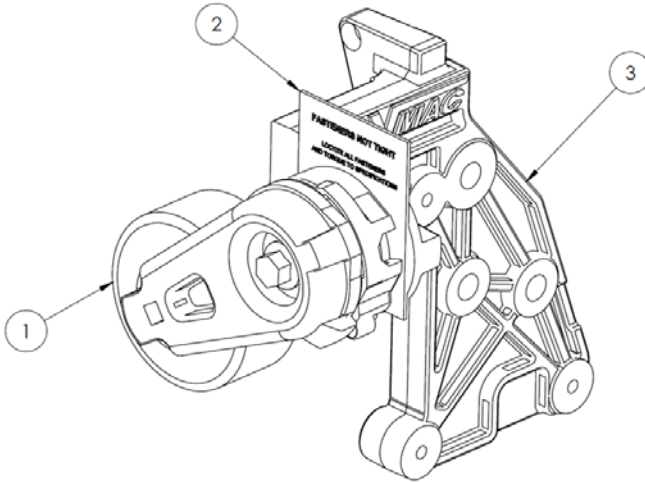
Local: 1-250-740-3200

Fax: 1-250-740-3201



6. Main Bracket Assembly, 4800671

Item #	Part #	Qty	Description
1	3300036	1	TENSIONER 7C3Z-6B209-D
2	4400463	1	LABEL, FASTENER NOT TIGHTENED
3	1100206	1	BRACKET, CUMMINS 4.5



**Figure 6 - Main Bracket Assembly**

7. Tank, VR70, 9200430

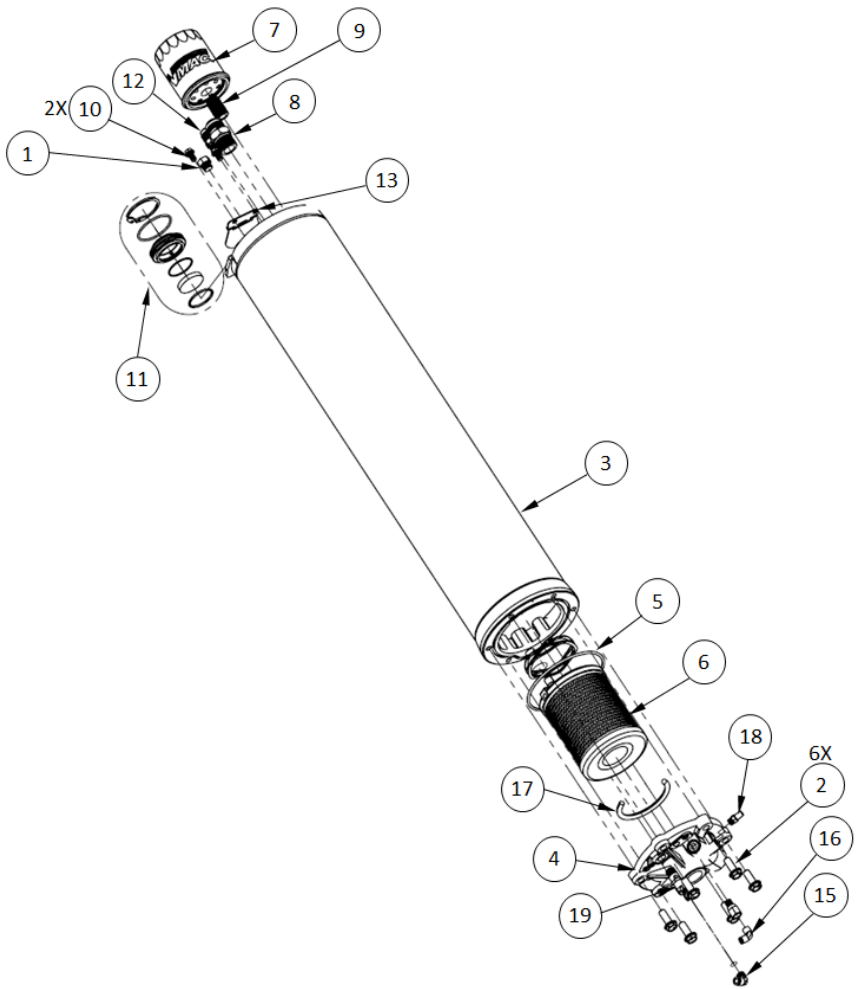
Item #	Part #	Qty	Description
1	4900106	1	PLUG, STEEL, #5 ORB, HEX (VITON-O)
2	1510086	6	BOLT, HHCS NC G5 FL LK, 3/8 X 1
3	9200378	1	TANK, OIL SEPARATOR
4	9200437	1	ASSEMBLY, BLOWDOWN CAP
5	5830066	1	O-RING, VITON, 4 ¼ ID X 1/8
6	3600036	1	ELEMENT, SEP, COALESING
7	9200039	1	OIL FILTER, VR70, 3.250 SHORT
8	4900033	1	CONNECTOR, STEEL NPT-JIC, 3/4-3/4
9	4900035	1	NIPPLE, STEEL STR THRD, 3/4-16
10	1510522	2	BOLT, HHCS NC G8 FL LK PL, ¼ X ½
11	A700061	1	SIGHT GLASS ASSEMBLY
12	5000089	1	CONNECTOR, BRASS NPT-SAW, 3/8-1/2
13	3200231	1	COVER, SIGHT GLASS
14	5000160	1	ADAPTOR, BRASS, 1/8-1/8 NPT
15	5000165	1	ELBOW, 90, BRASS NPT-POLY, 1/8-3/16
16	5000020	1	ELBOW, BRASS NPT-POLY, 1/8-1/4
17	3600064	1	SEAL, TANK REAR CAP
18	4500104	1	MUFFLER, SINTERED EXHAUST, 1/8"
19	3600054	1	VALVE, SAFETY, 3/8, 200PSI

**VMAC – Vehicle Mounted Air Compressors**

Toll Free: 1-800-738-8622

Local: 1-250-740-3200

Fax: 1-250-740-3201



**Figure 7 - VR70 Tank**

8. Air Filter Assembly, 4800668

Item #	Part #	Qty	Description
1	1710698	1	TUBE, 2" CONNECTOR
2	4400979	1	LABEL, AIR CLEANER, HEAVY DUTY
3	1710654	1	HOSE, AIR INTAKE 72" (1700550)
4	2200158	4	CLAMP, HOSE HS40
5	3600114	1	RAIN, HAT, AIR CLEANER CYCLONE
6	9500030	1	FILTER, AIR
7	1720690	1	TUBE, 2.5" CONNECTOR
8	1700625	1	ELBOW, RUBBER, 2.5ID
9	1710680	1	HOSE, 1 7/8" X 2" (1700387)
10	1700601	1	HOSE, RUBBER ELBOW 2" X 90DEG
11	2200043	2	CLAMP, HOSE H36

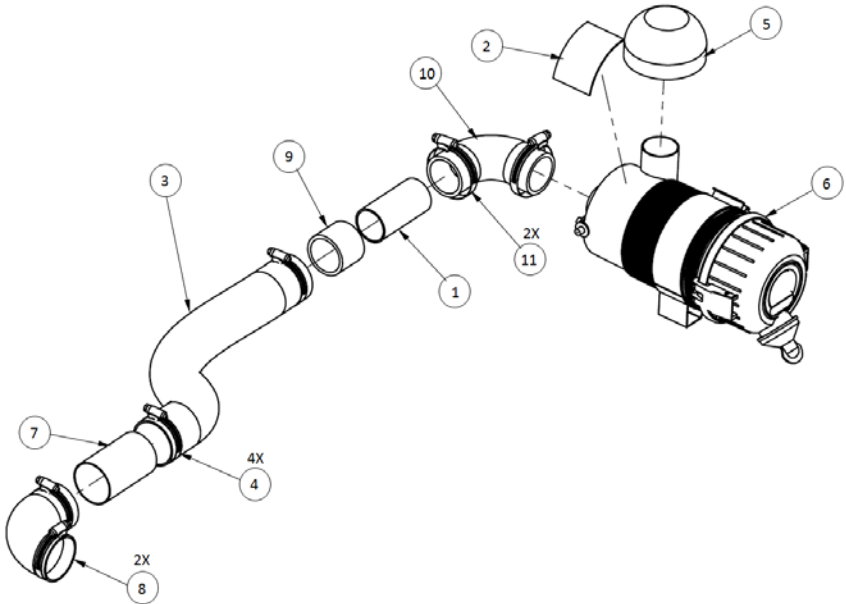


Figure 5 - Air Filter Assembly

**VMAC – Vehicle Mounted Air Compressors**

Toll Free: 1-800-738-8622

Local: 1-250-740-3200

Fax: 1-250-740-3201