

# Illustrated Parts List for VMAC System S700173

## John Deere 4045 VR70

1. Kit Pack List.....	2
2. Fastener Pack, 3801020 .....	4
3. Compressor Assembly, P120149 .....	6
4. Inlet Valve Sub Components, 9200509 .....	8
5. Main Bracket Assembly, 4800621 .....	9
6. Tank, VR70, 9200430 .....	10
7. Cooler Assembly, 4800623 .....	12
8. Air Filter Assembly, 4800622 .....	13

NOTE: Drawings are not to scale.

Document 1930243

### Changes and Revisions

Version	Revision Details	Revised by /date	Checked by /date	Reviewed by /date	Implemented
A	Engineering Release	MP 04 Feb 2015	JR 10 Feb 2015	RD 05 Feb 2015	11 Feb 2015

### VMAC – Vehicle Mounted Air Compressors

Toll Free: 1-800-738-8622

Local: 1-250-740-3200

Fax: 1-250-740-3201

## 1. Kit Pack List

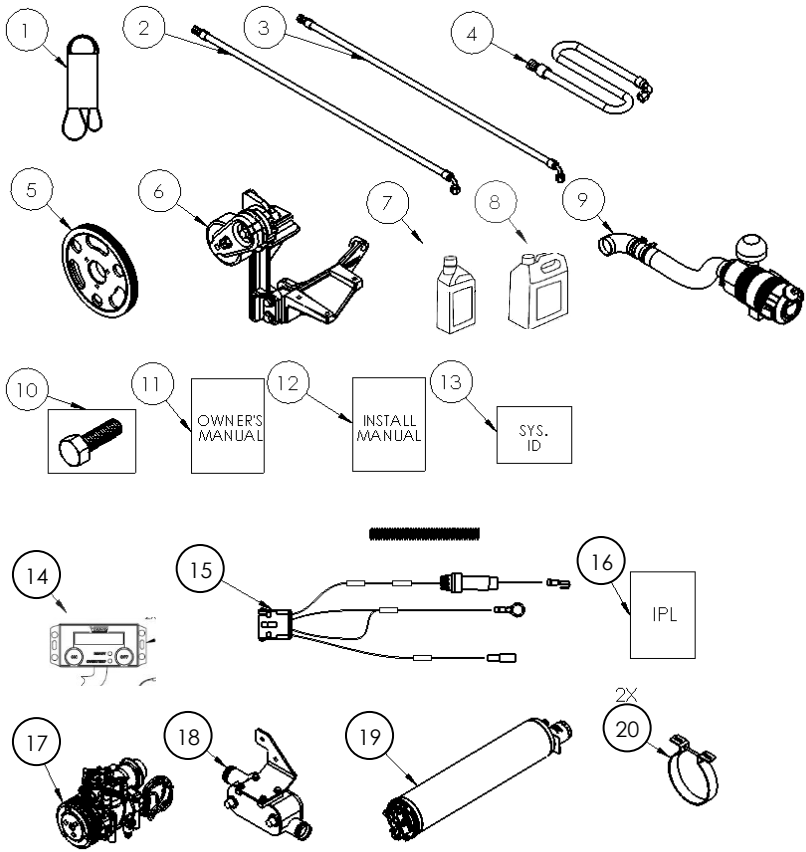
Item #	Part #	Qty	Description
1	1610351	1	BELT, K060551
2	1752024	1	HOSE, CRIMPED, 1/2" X 24"
3	1752065	1	HOSE, CRIMPED, 1/2" X 65"
4	1772072	1	HOSE, CRIMPED, 3/4" X 72"
5	1800220	1	PULLEY, CRANK, JD 4045
6	4800621	1	ASSEMBLY, MAIN BRACKET, S700164/173
7	A700091	1	OIL, VR, 1L, HIGH PERFORMANCE
8	A700094	1	OIL, VR, 4L, HIGH PERFORMANCE
9	4800622	1	ASSEMBLY, AIR FILTER
10	3801020	1	FASTENER PACK, S700173
11	1930060	1	MANUAL, OWNERS GENERIC, VR70 & VR150
12	1930242	1	MANUAL, INSTALLATION, S700173
13	4800682	1	SYS ID & OP INSTR, S700173
14	3550722	1	VR CONTROL BOX, 96.0" TEMP
15	3550857	1	CABLE, INTERFACE
16	1930243	1	ILLUSTRATED PARTS LIST, S700173
17	P120149	1	ASSEMBLY, COMPRESSOR, S700164/173
18	4800623	1	ASSEMBLY, COOLER
19	9200430	1	TANK, VR70 DRESSED INT OIL FILTER
20	2200105	2	CLAMP, MOUNTING BRACKET C, 6

**VMAC – Vehicle Mounted Air Compressors**

Toll Free: 1-800-738-8622

Local: 1-250-740-3200

Fax: 1-250-740-3201



**Figure 1 - Kit Pack List**

## 2. Fastener Pack, 3801020

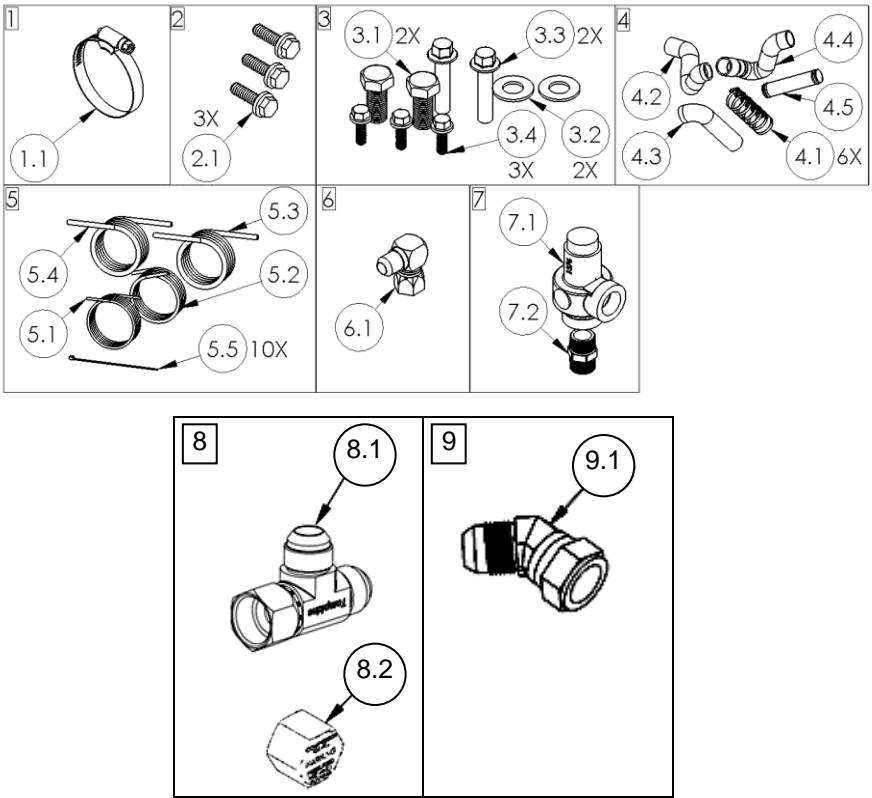
Item #	Part #	Qty	Description
1	3800918	1	FASTENER PACK, AIR FILTER
1.1	2200158	1	CLAMP, HOSE HS40
2	3800919	1	FASTENER PACK, CRANK PULLEY
2.1	1520538	3	BOLT, HHCS, FLHD, M10 X 1.50 X 35
3	3800921	1	FAST PACK, MAIN BRACKET
3.1	1520584	2	BOLT, HHCS, M16 X 2.0 X 35 PL
3.2	1570233	2	WASHER, FLAT SAE, 5/8
3.3	1520628	2	BOLT, HHCS, FL PL, M12 X 1.75 X 55
3.4	1520591	3	BOLT, HHCS, M8-1.25 X 25, G10.9 FL PL
4	3800922	1	FASTENER PACK, COOLER
4.1	2200043	6	CLAMP, HOSE HS36
4.2	1710827	1	HOSE, RAD, MODIFIED
4.3	1710828	1	HOSE, RAD, MODIFIED
4.4	1710829	1	HOSE, RAD, MODIFIED
4.5	1720689	1	TUBE, 2" CONNECTOR
5	3800923	1	FASTENER PACK, TEFLON HOSE
5.1	1700571	84	TUBE, TEFLON, PTFE, 3/16" OD X 1/8" ID
5.2	1700570	84	TUBE, TEFLON, PTFE, 1/4" OD
5.3	1700581	84	LOOM, SPLIT PLASTIC, 1/4, HIGH TEMP
5.4	1700581	84	LOOM, SPLIT PLASTIC, 1/4, HIGH TEMP
5.5	2200039	10	TIE, NYLON MD, 7"
6	3800924	1	FASTENER PACK, AOST
6.1	4900047	1	ELBOW, STEEL JIC, 90DEG, 1/2-1/2
7	3800948	1	FAST PACK, MIN PRESSURE CHECK VALVE
7.1	3600152	1	VALVE, 60 PSI MIN PRESSURE CHECK
7.2	5000155	1	NIPPLE, BRASS, HEX, 3/4-3/4
8	3800825	1	FASTENER PACK, HOSE
8.1	4900162	1	TEE, RUN, STEEL #12JIC
8.2	4900164	1	FITTING, MODIFIED
9	3801001	1	FASTENER PACK, FITTINGS
9.1	4900036	1	ELBOW, STEEL JIC SWIVEL 45, 3/4

**VMAC – Vehicle Mounted Air Compressors**

Toll Free: 1-800-738-8622

Local: 1-250-740-3200

Fax: 1-250-740-3201



**Figure 2 - Fastener Pack**

### 3. Compressor Assembly, P120149

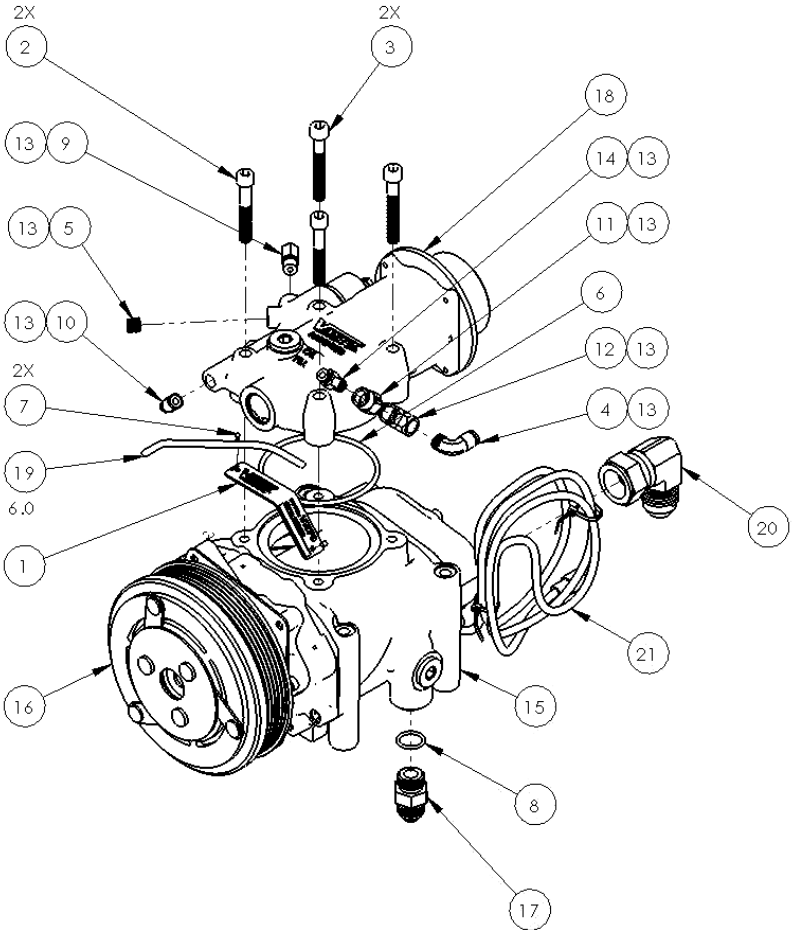
Item #	Part #	Qty	Description
1	4400295	1	LABEL, VR70 NAME PLATE
2	1540550	2	BOLT, SHCS, M8X 1.25 X 50, GR12.9 PLT
3	1540530	2	BOLT, SHCS, M8 X 1.25 X 55, GR12.9 PLT
4	5000020	1	ELBOW, BRASS NPT-POLY, 1/8-1/4
5	4300076	1	PIPE FTG, PLUG SKT HEAD, 1/8
6	5830004	1	O-RING, VITON, 3 1/8 ID X 1/8
7	1500355	2	SCREW, LONG U DRIVE, 2-3/16
8	5830132	1	O-RING, VION, #8 ORB
9	5000162	1	CONNECT, BRASS, NPT-POLY, 3/16-1/8 NPT
10	5000165	1	ELBOW, 90, BRASS NPT-POLY, 1/8-3/16
11	3600123	1	VALVE, CHECK, 1/8 NPT
12	5000121	1	TEE, STREET, EXTRUDED, 1/8
13	5400345	A/R	LOCTITE, 592, THREAD SEALANT SLOW CURE
14	3600146	1	ASSEMBLY, FITTING RESTRICTION
15	P120008	1	VR70 COMPRESSOR ASSEMBLY
16	P200035	1	CLUTCH, COMPLETE 6 GROOVE
17	4900046	1	CONN, STL, 3/4-16 O-RING TO 1/2 TUBE
18	9200509	1	ASSEMBLY, INLET VALVE
19	1700571	6.0	TUBE, TEFLON, PTFE, 3/16" OD X 1/8" ID
20	4900043	1	ELBOW, STEEL, JIC/JIC SWIVEL, 3/4
21	3550682	1	PROBE, ASSY, THERMISTOR, SHORT

**VMAC – Vehicle Mounted Air Compressors**

Toll Free: 1-800-738-8622

Local: 1-250-740-3200

Fax: 1-250-740-3201



**Figure 3 - Compressor Assembly (P120149)**

#### 4. Inlet Valve Sub Components, 9200509

Item #	Part #	Qty	Description
1	3600046	1	KIT, REGULATOR
2	4900045	1	PLUG, STEEL HEX SAE/O-RING PORT
3	5830002	1	O-RING, VITON, 2 3/8 ID X 3/32
4	5830070	1	O-RING, VITON, 2 9/16 ID X 3/32
5	5830129	1	O-RING, 40D SIL., 1 7/8 ID X 3/16

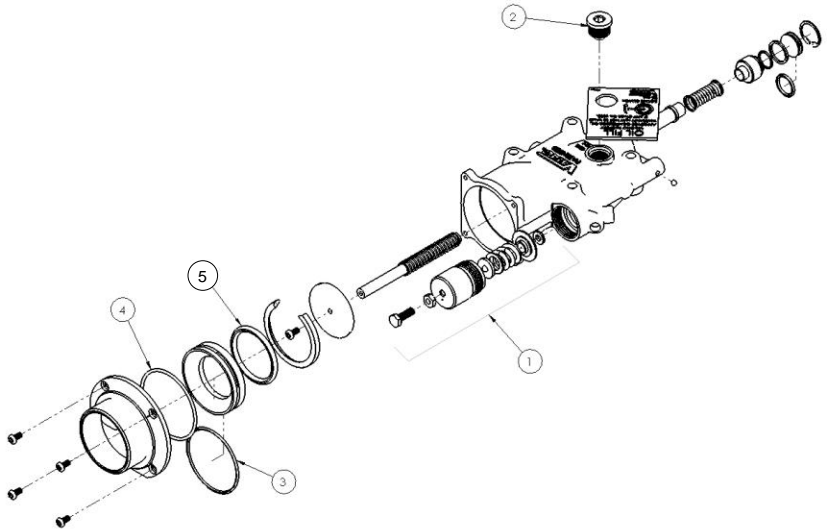


Figure 4 - Inlet Valve Sub Components

**VMAC – Vehicle Mounted Air Compressors**

Toll Free: 1-800-738-8622

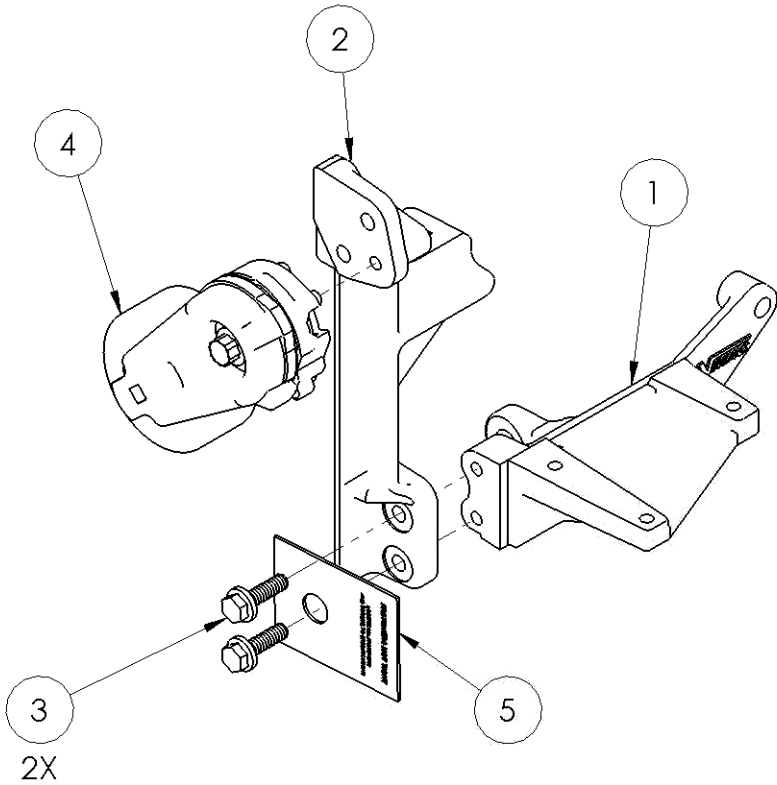
Local: 1-250-740-3200

Fax: 1-250-740-3201



### 5. Main Bracket Assembly, 4800621

Item #	Part #	Qty	Description
1	1100196	1	BRACKET, JD 4045, COMPRESSOR
2	1100197	1	BRACKET, JD 4045, TENSIONER
3	1520538	2	BOLT, HHCS FLHD PL, M10 X 1.5 X 35
4	3300036	1	TENSIONER 7C3Z-6B209-D
5	4400463	1	LABEL, FASTENERS NOT TIGHTENED



**Figure 5 - Main Bracket Assembly**

**VMAC – Vehicle Mounted Air Compressors**

Toll Free: 1-800-738-8622

Local: 1-250-740-3200

Fax: 1-250-740-3201

**6. Tank, VR70, 9200430**

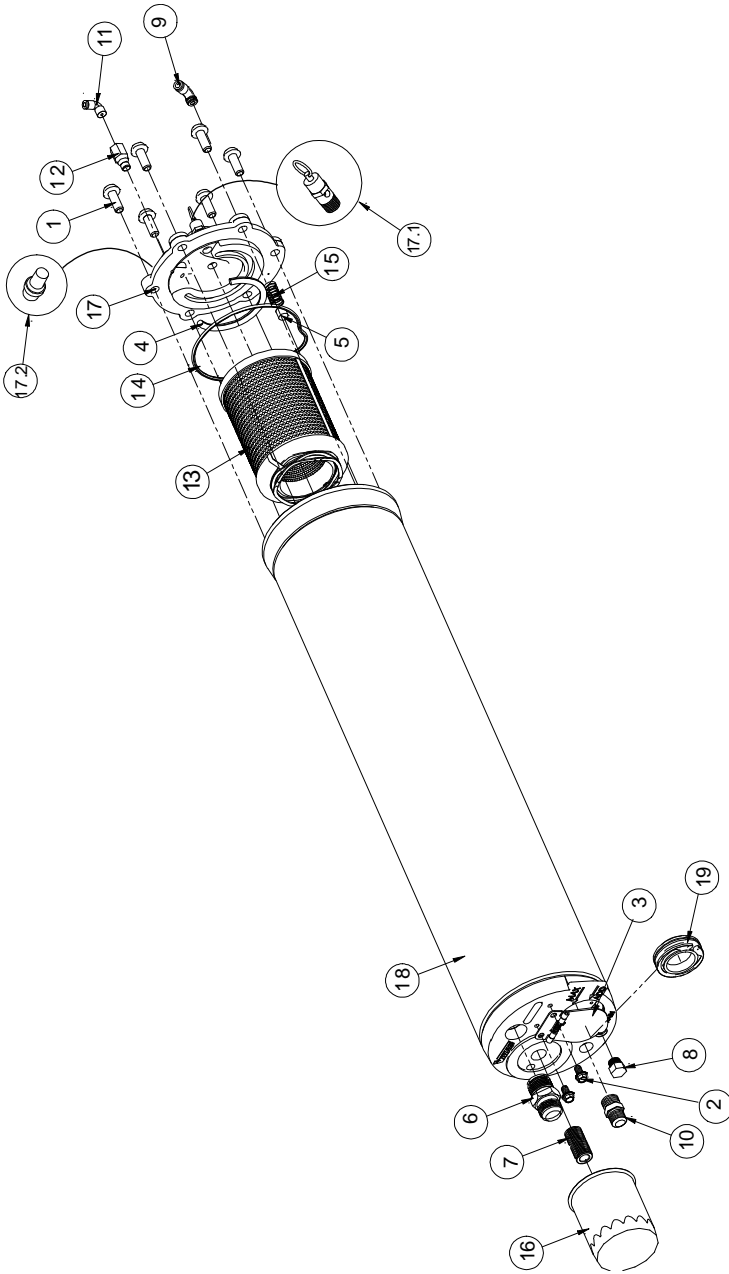
Item #	Part #	Qty	Description
1	1510086	6	BOLT, HHCS NC G5 FL LK, 3/8 X 1
2	1510522	2	BOLT, HHCS NC G8 FL LK PL, 1/4 X 1/2
3	3200231	1	COVER, SIGHT GLASS
4	3600064	1	SEAL, TANK REAR CAP
5	3600090	1	THIMBLE, SCREEN
6	4900033	1	CONNECTOR, STEEL NPT-JIC, 3/4-3/4
7	4900035	1	NIPPLE, STEEL STR THRD, 3/4 - 16
8	4900106	1	PLUG, STEEL, #5 ORB, HEX
9	5000020	1	ELBOW, BRASS NPT-POLY, 1/8-1/4"
10	5000089	1	CONNECTOR, BRASS NPT-SAE, 3/8 - 1/2
11	5000165	1	ELBOW,90, BRASS NPT-POLY, 1/8-3/16"
12	5000160	1	ADAPTER, BRASS, 1/8-1/8 NPT
13	A700152	1	ELEMENT, SEP, COALESCING
14	5830066	1	O-RING, VITON, 4 3/4 ID X 1/8
15	5840069	1	SPRING, COMPRESSION, FL 1.5",OD .54
16	9200039	1	OIL FILTER, VR 3.250 SHORT
17	9200437	1	ASSEMBLY, BLOWDOWN CAP
17.1	3600054	1	VALVE, SAFETY, 3/8, 200 PSI
17.2	4500104	1	MUFFLER, SINTERED EXHAUST, 1/8"
18	9200378	1	TANK, OIL SEPARATOR
19	A700061	1	SIGHT GLASS ASSEMBLY

**VMAC – Vehicle Mounted Air Compressors**

Toll Free: 1-800-738-8622

Local: 1-250-740-3200

Fax: 1-250-740-3201

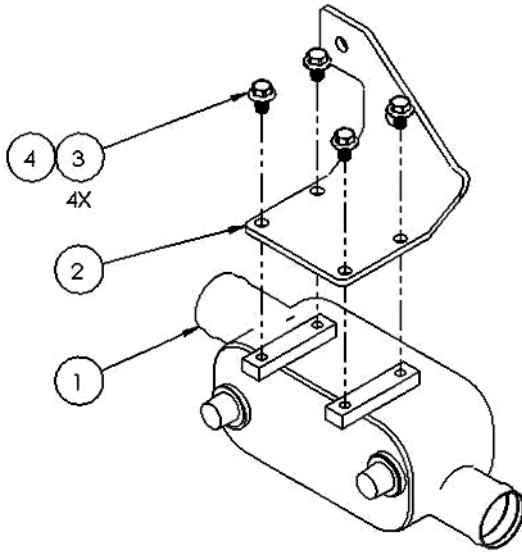


**Figure 6 - VR70 Tank**

**VMAC – Vehicle Mounted Air Compressors**  
 Toll Free: 1-800-738-8622  
 Local: 1-250-740-3200  
 Fax: 1-250-740-3201

## 7. Cooler Assembly, 4800623

Item #	Part #	Qty	Description
1	9200434	1	COOLER, WELDMENT
2	1200724	1	BRACKET, COOLER
3	1520629	4	BOLT, HHCS, GR10.9, PL, FL, M10 X 1.5 X 16
4	5400396	A/R	LOCTITE, 242, BLUE



**Figure 7 - Cooler Assembly**

**VMAC – Vehicle Mounted Air Compressors**

Toll Free: 1-800-738-8622

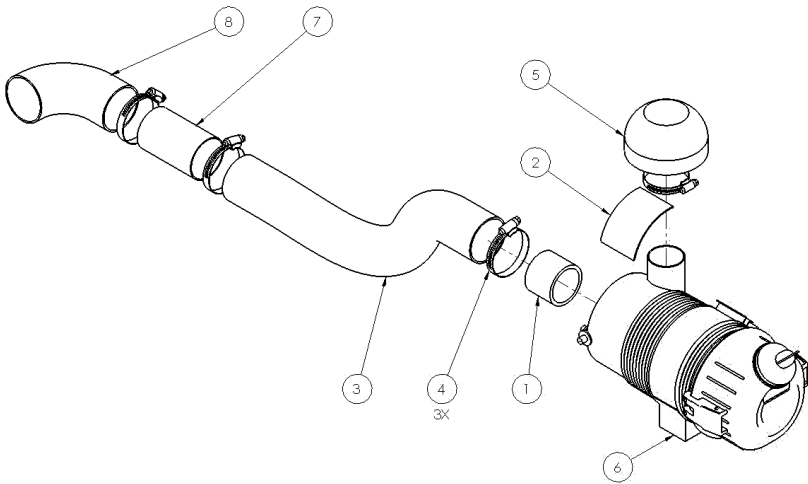
Local: 1-250-740-3200

Fax: 1-250-740-3201

## 8. Air Filter Assembly, 4800622

Item #	Part #	Qty	Description
1	1710680	1	HOSE, 1 7/8" X 2"
2	4400979	1	LABEL, AIR CLEANER, HEAVY DUTY
3	1710654	1	HOSE, AIR INTAKE 72" (1700550)
4	2200158	3	CLAMP, HOSE HS40
5	3600114	1	RAIN, HAT, AIR CLEANER CYCLONE
6	9500030	1	FILTER, AIR
7	1720690	1	TUBE, CONNECTOR
8	1700625	1	ELBOW, RUBBER, 2.5ID

**NOTE:** Replacement air filter part # 9500061



**Figure 8 - Air Filter Assembly**

**VMAC – Vehicle Mounted Air Compressors**

Toll Free: 1-800-738-8622

Local: 1-250-740-3200

Fax: 1-250-740-3201