

Illustrated Parts List for VMAC System V30001

**2011 - 2015 Ford F250-F550 Pickup, Cab & Chassis
6.7L Powerstroke Diesel**

1. Kit Pack List.....	2
2. Vertical Discharge Compressor, P130001	4
3. Fastener Pack, 3801054	5
4. WHASP Tank Assembly, 4800683	6

NOTE: drawings are not to scale.

Document 1930248

Changes and Revisions

Revision	Revision Details	Revised by	Checked by				Implemented
			Eng.		Tech.	Qual.	
			Mech.	Elec.			
A	ENGINEERING RELEASE	RR	MH	N/A	RD	N/A	22 May 2015
B	ECN 15-098	KM	MH	N/A	RF	N/A	20 Aug 2015
C	ECN 15-105, 15-117	KRM	CH	N/A	GB	N/A	16 Nov 2015
D	ECN 16-010	KRM	CJH	N/A	GB	N/A	09 Feb 2016
E	ECN 16-071	LDF	KRM	N/A	BC	AMG	05 Aug 2016
F	ECN 16-142	LDF	CJH	N/A	DB	AMG	15 Dec 2016

VMAC – Vehicle Mounted Air Compressors

Toll Free: 1-800-738-8622

Local: 1-250-740-3200

Fax: 1-250-740-3201

1. Kit Pack List

Item #	Part #	Qty	Description
1	3550908	1	HARNESS, KEY SWITCHED RELAY
2	4800674	1	ASSY, REMOTE AIR FILTER
3	4800681	1	ASSY, INTAKE HOSE, FORD 6.7 VR LITE
4	1200830	1	BRACKET, AIR FILTER
5	1620360	1	BELT, DK081403
6	P130001	1	COMP, VR LITE, 8-RIB, VERT DISCH
7	1100212	1	BRACKET, MAIN, V300001
8	4800683	1	ASSY, TANK W/ SHROUD, WHASP
9	3550903	1	CONTROL PANEL, VR LITE
10	3550905	1	KIT, EXTENSION, UH LITE
11	3560232	1	THROTTLE, SEIC, DIESEL, FORD
12	1752025	1	HOSE, CRIMPED, 1/2" X 25"
13	1772215	1	HOSE, CRIMPED, 3/4" X 215"
14	1812240	1	HOSE, CRIMPED, 3/8" X 240"
15	4800688	1	SYS ID & OP INSTR, V300001
16	3801054	1	FASTENER PACK, V300001
17	A700094	1	OIL, VR, 4L, HIGH PERFORMANCE
18	1930246	1	MANUAL, OWNERS, VR LITE
19	1930247	1	MANUAL, INSTALLATION, V300001
20	1930248	1	ILLUSTRATED PARTS LIST, V300001

VMAC – Vehicle Mounted Air Compressors

Toll Free: 1-800-738-8622

Local: 1-250-740-3200

Fax: 1-250-740-3201

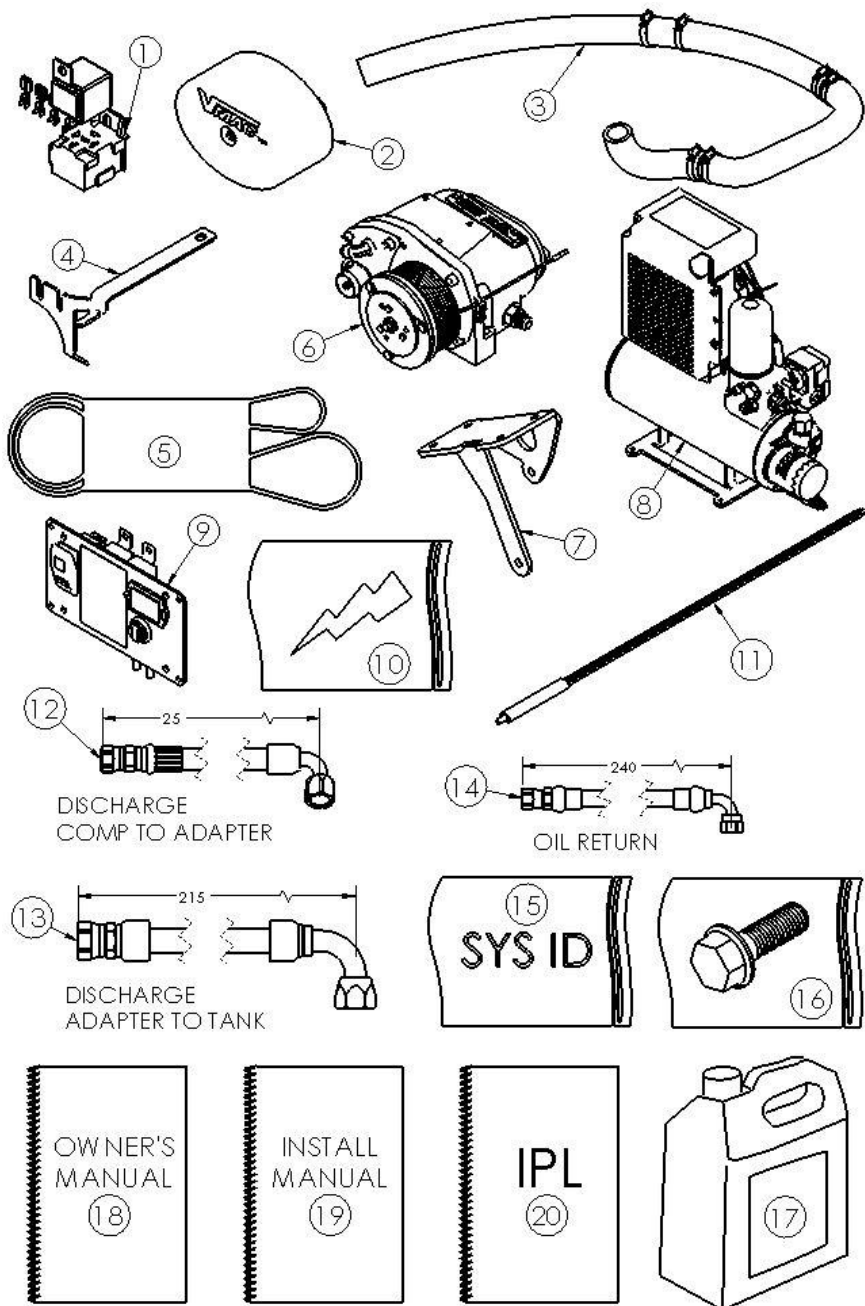


Figure 1 - Kit Pack List

VMAC – Vehicle Mounted Air Compressors

Toll Free: 1-800-738-8622

Local: 1-250-740-3200

Fax: 1-250-740-3201

2. Vertical Discharge Compressor, P130001

Item #	Part #	Qty	Description
1	9230011	1	ASSY, COMPRESSOR, BASE, VR LITE
2	P200048	1	CLUTCH, COMPLETE, 8 GROOVE, 3.35
3	2200235	1	TAB, WIRE TIE
4	1500623	1	SCREW,PT HD,PL F-THRD 6-32 X 1/4"
5	4900203	1	CONN, STEEL, 90, #8 MJIC - #8 MORB
6	4900177	1	CONN, STEEL, #6 JIC - #6 ORB
7	4300076	1	PIPE FTG, PLUG SKT HEAD, 1/8
8	5000020	1	ELBOW, BRASS NPT-POLY, 1/8-1/4
9	2200164	1	TIE, NYLON, BLACK, 8"

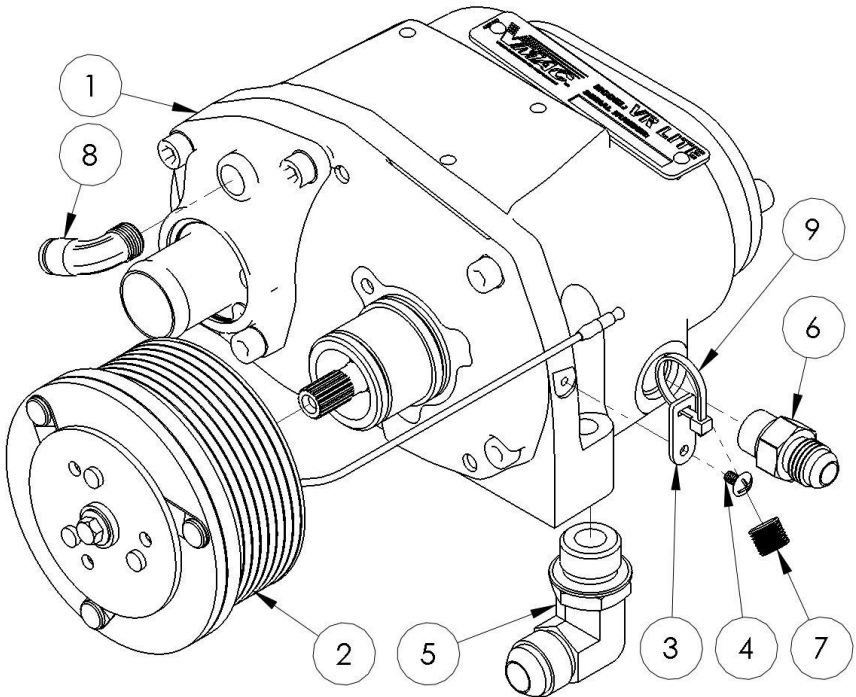


Figure 2 – Vertical Discharge Compressor Assembly

VMAC – Vehicle Mounted Air Compressors

Toll Free: 1-800-738-8622

Local: 1-250-740-3200

Fax: 1-250-740-3201

3. Fastener Pack, 3801054

Item #	Part #	Qty	Description
1	3801055	1	FASTENER PACK, COMPRESSOR BOLTS
1.1	1520566	4	BOLT, FLAT HEAD, PL M8 X 1.25 X 20MM
2	3801056	1	FASTENER PACK, RIBBED IDLERS
2.1	1300023	2	IDLER, PULLEY 8 RIB, 3.5
3	3801057	1	FASTENER PACK, TEFLON HOSE
3.1	2200039	20	TIE, NYLON MD, 7"
3.2	1700570	216"	TUBE, TEFLON, PTFE, 1/4"OD
4	3801071	1	FASTENER PACK, HOSE CONNECTOR
4.1	4900227	1	CONN, STEEL, #12 MJIC X #8 MJIC

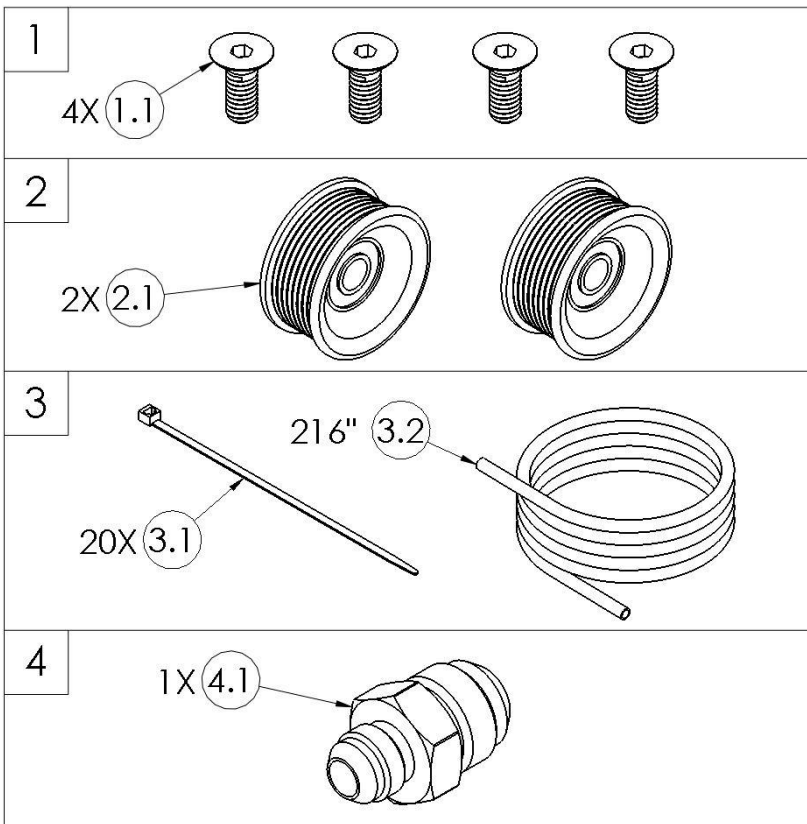


Figure 3 – Fastener Pack

VMAC – Vehicle Mounted Air Compressors

Toll Free: 1-800-738-8622

Local: 1-250-740-3200

Fax: 1-250-740-3201

4. WHASP Tank Assembly, 4800683

Item #	Part #	Qty	Description
1	6000700	1	SHROUD, WHASP TANK
2	3600088	1	OIL SEPARATOR, SPIN-ON
3	9200039	1	OIL FILTER, VR 3.250 SHORT
4	4900163	1	CAP, STEEL, #12JIC
5	3550902	1	ASSEMBLY, PRESSURE SWITCH & HARNESS
6	3550691	1	ASSEMBLY, THERMOSTAT 290F
7	4500104	1	MUFFLER, SINTERED EXHAUST, 1/8"
8	3600167	1	VALVE, CHECK, MINIMUM PRESSURE
9	4900106	1	PLUG, STEEL, #5 ORB, HEX (VITON-O)
10	3600054	1	VALVE, SAFETY 200 PSI
11	A700061	1	PYREX WINDOW KIT
12	4900175	1	CONN, STEEL, #6 JIC - #8 ORB
13	1200852	1	PLATE, MOUNT, FILTER END
14	1200847	1	PLATE, MOUNT, BOLT ON
15	1520601	4	BOLT, HHCS FL PL, M8 X 1.25 X 12
16	6000719	1	SHROUD, FAN, WHASP TANK
17	3501290	1	FAN, PULLER, 7.5"
18	1520590	4	BOLT, HHCS, M6 X 1.X 14 FL PL
19	5000140	1	ELBOW, BRASS, FORGED, 90DEG, 1/8 PIPE
20	3600123	1	VALVE, CHECK, 1/8 NPT
21	5000212	1	CONNECTOR, BRASS, FNPT-POLY, 1/8-1/4
22	4401101	1	LABEL, ATTENTION HOT
23	1520590	4	BOLT, HHCS, M6 X 1.0 X 14 FL PL
24	1560516	4	NUT, M6 X 1.0 FL PL
25	4900133	1	ELBOW, STEEL, JIC/O-RING, 1 1/16-12
26	4900046	1	CONN, STL, 3/4-16 O-RING TO 1/2 TUBE

VMAC – Vehicle Mounted Air Compressors

Toll Free: 1-800-738-8622

Local: 1-250-740-3200

Fax: 1-250-740-3201

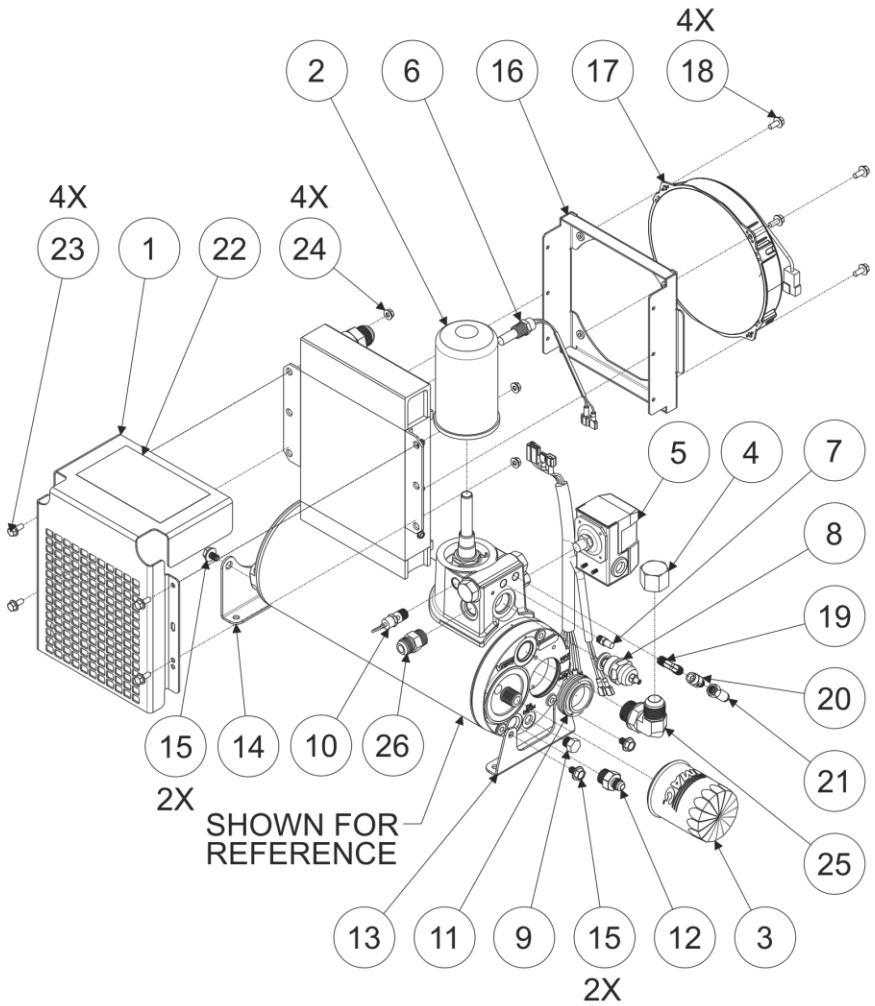


Figure 4 - WHASP Tank Assembly