

Illustrated Parts List for VMAC System V30001

**2017+ Ford F250-F450 Pickup
6.7L Powerstroke Diesel**

| | |
|--|---|
| 1. Kit Pack List..... | 2 |
| 3. Fastener Pack, 3801211 | 4 |
| 2. Vertical Discharge Compressor, P130009..... | 6 |
| 4. WHASP Tank Assembly, 4800683 | 8 |

NOTE: drawings are not to scale.

Document 1930312

Changes and Revisions

| Revision | Revision Details | Revised by | Checked by | | | | Implemented |
|----------|---------------------------------|------------|------------|-------|-------|-------|-------------|
| | | | Eng. | | Tech. | Qual. | |
| | | | Mech. | Elec. | | | |
| A | ECN 17-006: ENGINEERING RELEASE | KRM | JKR | N/A | BDJ | AMG | 15/FEB/2017 |
| B | ECN 18-020: BOLT UPDATE | KRM | CJH | N/A | BDJ | AWG | 01/FEB/2018 |
| | | | | | | | |
| | | | | | | | |
| | | | | | | | |

VMAC – Vehicle Mounted Air Compressors

Toll Free: 1-800-738-8622

Local: 1-250-740-3200

Fax: 1-250-740-3201

1. Kit Pack List

| Item # | Part # | Qty | Description |
|--------|---------|-----|----------------------------------|
| 1 | 4800674 | 1 | ASSY, REMOTE AIR FILTER |
| 2 | 1620360 | 1 | BELT, DK081403 |
| 3 | 1100233 | 1 | BRACKET, MAIN, V300011 |
| 4 | P130009 | 1 | COMP, VR LITE, 8-RIB, VERT DISCH |
| 5 | 4800766 | 1 | ASSY, INTAKE HOSE, V300011 |
| 6 | 4800683 | 1 | ASSY, TANK W/ SHROUD, WHASP |
| 7 | 3550903 | 1 | CONTROL PANEL, VR LITE |
| 8 | 3550905 | 1 | KIT, EXTENSION, UH LITE |
| 9 | 3560232 | 1 | THROTTLE, SEIC, DIESEL, FORD |
| 10 | 3550908 | 1 | HARNES, KEY SWITCHED RELAY |
| 11 | 1812240 | 1 | HOSE, CRIMPED, 3/8" X 240" |
| 12 | 1751025 | 1 | HOSE, CRIMPED, 1/2" X 24.5" |
| 13 | 1772215 | 1 | HOSE, CRIMPED, 3/4" X 215" |
| 14 | 3801211 | 1 | FASTENER PACK, V300011 |
| 15 | A700094 | 1 | OIL, VR, 4L, HIGH PERFORMANCE |
| 16 | 1930246 | 1 | MANUAL, OWNERS, VR LITE |
| 17 | 1930311 | 1 | MANUAL, INSTALLATION, V300011 |
| 18 | 1930312 | 1 | ILLUSTRATED PARTS LIST, V300011 |
| 19 | 4800767 | 1 | SYS ID & OP INSTR, V300011 |

VMAC – Vehicle Mounted Air Compressors

Toll Free: 1-800-738-8622

Local: 1-250-740-3200

Fax: 1-250-740-3201

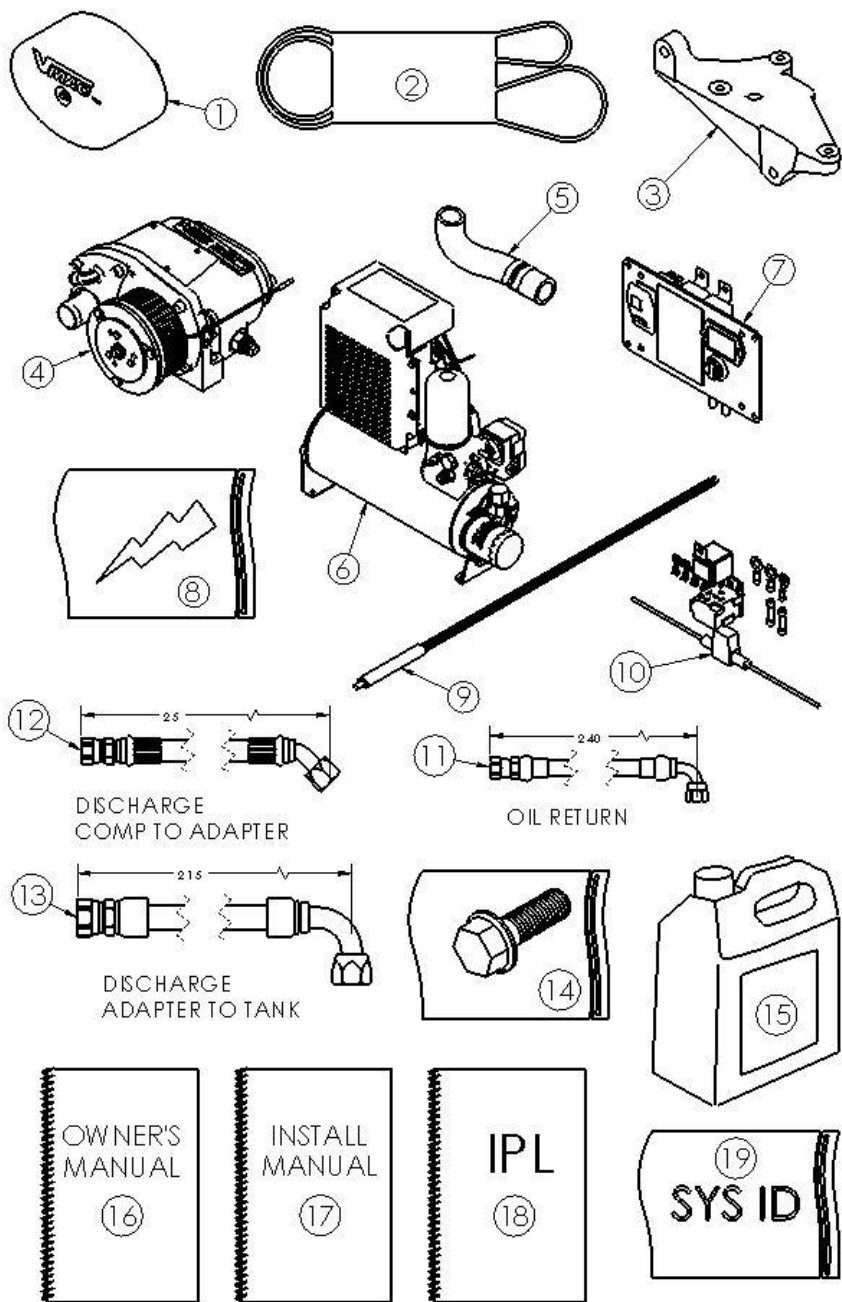


Figure 1 - Kit Pack List

VMAC – Vehicle Mounted Air Compressors

Toll Free: 1-800-738-8622

Local: 1-250-740-3200

Fax: 1-250-740-3201

2. Fastener Pack, 3801211

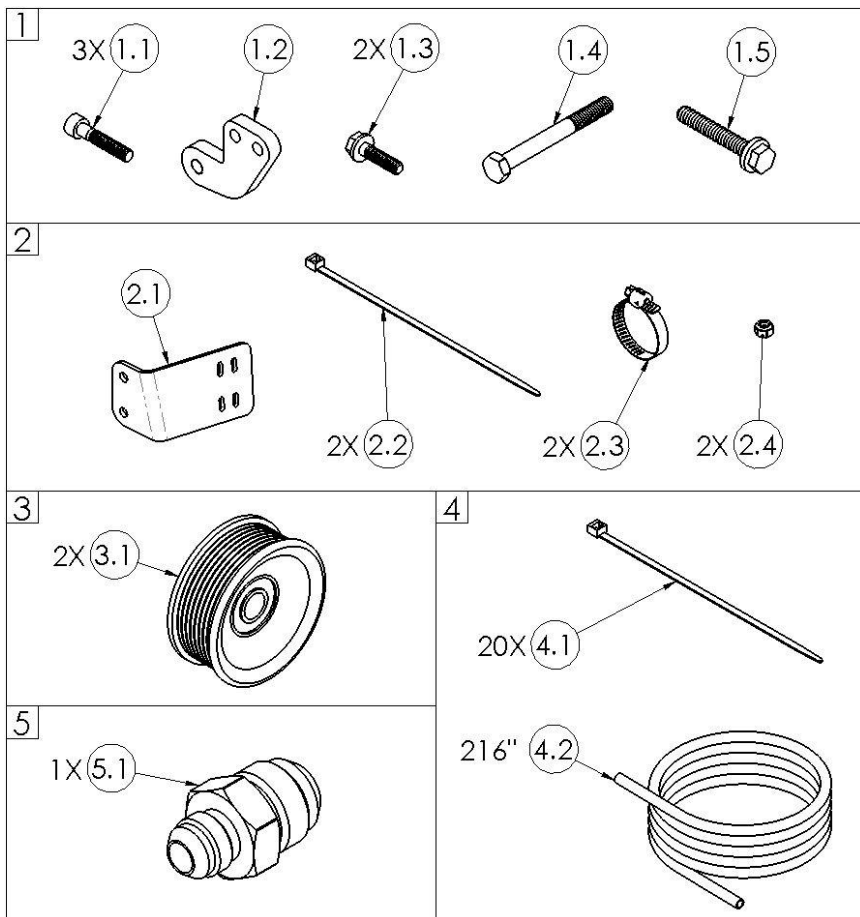
| Item # | Part # | Qty | Description |
|--------|---------|------|-----------------------------------|
| 1 | 3801208 | 1 | FAST PACK, MAIN BKT, V300011 |
| 1.1 | 1540574 | 3 | BOLT, SHCS, M8 X 1.25 X 40, G12.9 |
| 1.2 | 1200965 | 1 | BRACKET, REAR, V300011 |
| 1.3 | 1520605 | 2 | BOLT,HHCS, M8-1.25 X 30, FL PL |
| 1.4 | 1520011 | 1 | BOLT, HHCS G10.9, M10 X 1.5 X 90 |
| 1.5 | 1520621 | 1 | BOLT, HHCS, FLHD, M10 X 1.5 X 45 |
| 2 | 3801209 | 1 | FAST PACK, AIR INTAKE, V300011 |
| 2.1 | 1200964 | 1 | BRACKET, AIR FILTER, V300011 |
| 2.2 | 2200039 | 2 | TIE, NYLON MD, 7" |
| 2.3 | 2200047 | 2 | CLAMP, HOSE HS16 |
| 2.4 | 1560438 | 2 | NUT, NYLOCK, M6 |
| 3 | 3801056 | 1 | FASTENER PACK, RIBBED IDLERS |
| 3.1 | 1300023 | 2 | IDLER, PULLEY 8 RIB, 3.5 |
| 4 | 3801057 | 1 | FASTENER PACK, TEFLON HOSE |
| 4.1 | 2200039 | 20 | TIE, NYLON MD, 7" |
| 4.2 | 1700570 | 216" | TUBE, TEFLON, PTFE, 1/4"OD |
| 5 | 3801071 | 1 | FASTENER PACK, HOSE CONNECTOR |
| 5.1 | 4900227 | 1 | CONN, STEEL, #12 MJIC X #8 MJIC |

VMAC – Vehicle Mounted Air Compressors

Toll Free: 1-800-738-8622

Local: 1-250-740-3200

Fax: 1-250-740-3201



3. Vertical Discharge Compressor, P130009

| Item # | Part # | Qty | Description |
|--------|---------|-----|------------------------------------|
| 1 | 9230011 | 1 | ASSY, COMPRESSOR, BASE, VR LITE |
| 2 | P200048 | 1 | CLUTCH, COMPLETE, 8 GROOVE, 3.35 |
| 3 | 2200235 | 1 | TAB, WIRE TIE |
| 4 | 1500623 | 1 | SCREW,PT HD,PL F-THRD 6-32 X 1/4" |
| 5 | 4900203 | 1 | CONN, STEEL, 90, #8 MJIC - #8 MORB |
| 6 | 4900177 | 1 | CONN, STEEL, #6 JIC - #6 ORB |
| 7 | 4300076 | 1 | PIPE FTG, PLUG SKT HEAD, 1/8 |
| 8 | 5000020 | 1 | ELBOW, BRASS NPT-POLY, 1/8-1/4 |
| 9 | 2200164 | 1 | TIE, NYLON, BLACK, 8" |

VMAC – Vehicle Mounted Air Compressors

Toll Free: 1-800-738-8622

Local: 1-250-740-3200

Fax: 1-250-740-3201

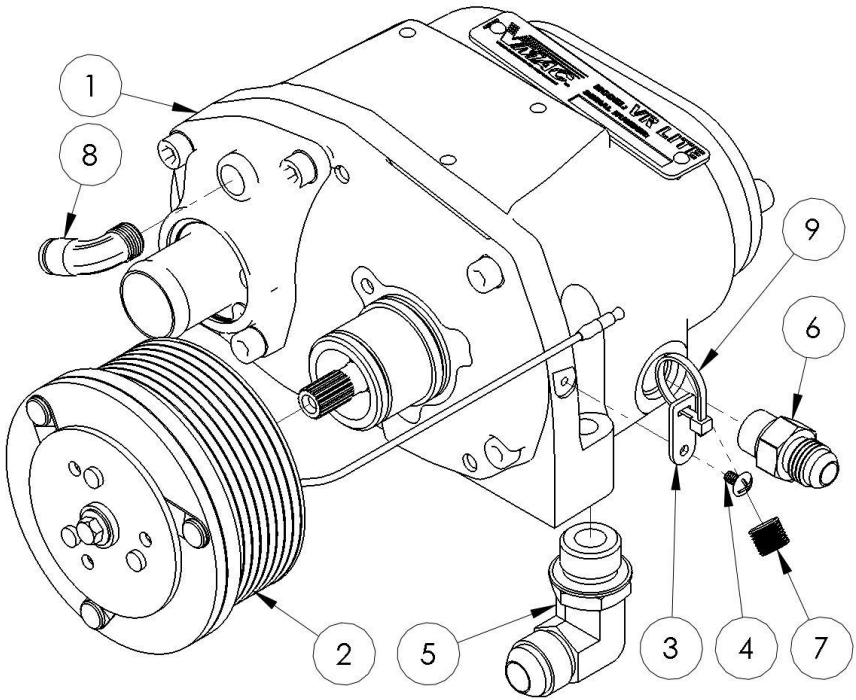


Figure 3 – Vertical Discharge Compressor Assembly

4. WHASP Tank Assembly, 4800683

| Item # | Part # | Qty | Description |
|--------|---------|-----|---------------------------------------|
| 1 | 6000700 | 1 | SHROUD, WHASP TANK |
| 2 | 3600088 | 1 | OIL SEPARATOR, SPIN-ON |
| 3 | 9200039 | 1 | OIL FILTER, VR 3.250 SHORT |
| 4 | 4900163 | 1 | CAP, STEEL, #12JIC |
| 5 | 3550902 | 1 | ASSEMBLY, PRESSURE SWITCH & HARNESS |
| 6 | 3550691 | 1 | ASSEMBLY, THERMOSTAT 290F |
| 7 | 4500104 | 1 | MUFFLER, SINTERED EXHAUST, 1/8" |
| 8 | 3600167 | 1 | VALVE, CHECK, MINIMUM PRESSURE |
| 9 | 4900106 | 1 | PLUG, STEEL, #5 ORB, HEX (VITON-O) |
| 10 | 3600054 | 1 | VALVE, SAFETY 200 PSI |
| 11 | A700061 | 1 | PYREX WINDOW KIT |
| 12 | 4900175 | 1 | CONN, STEEL, #6 JIC - #8 ORB |
| 13 | 1200852 | 1 | PLATE, MOUNT, FILTER END |
| 14 | 1200847 | 1 | PLATE, MOUNT, BOLT ON |
| 15 | 1520601 | 4 | BOLT, HHCS FL PL, M8 X 1.25 X 12 |
| 16 | 6000719 | 1 | SHROUD, FAN, WHASP TANK |
| 17 | 3501290 | 1 | FAN, PULLER, 7.5" |
| 18 | 1520590 | 4 | BOLT, HHCS, M6 X 1.X 14 FL PL |
| 19 | 5000140 | 1 | ELBOW, BRASS, FORGED, 90DEG, 1/8 PIPE |
| 20 | 3600123 | 1 | VALVE, CHECK, 1/8 NPT |
| 21 | 5000212 | 1 | CONNECTOR, BRASS, FNPT-POLY, 1/8-1/4 |
| 22 | 4401101 | 1 | LABEL, ATTENTION HOT |
| 23 | 1520590 | 4 | BOLT, HHCS, M6 X 1.0 X 14 FL PL |
| 24 | 1560516 | 4 | NUT, M6 X 1.0 FL PL |
| 25 | 4900133 | 1 | ELBOW, STEEL, JIC/O-RING, 1 1/16-12 |
| 26 | 4900046 | 1 | CONN, STL, 3/4-16 O-RING TO 1/2 TUBE |

VMAC – Vehicle Mounted Air Compressors

Toll Free: 1-800-738-8622

Local: 1-250-740-3200

Fax: 1-250-740-3201

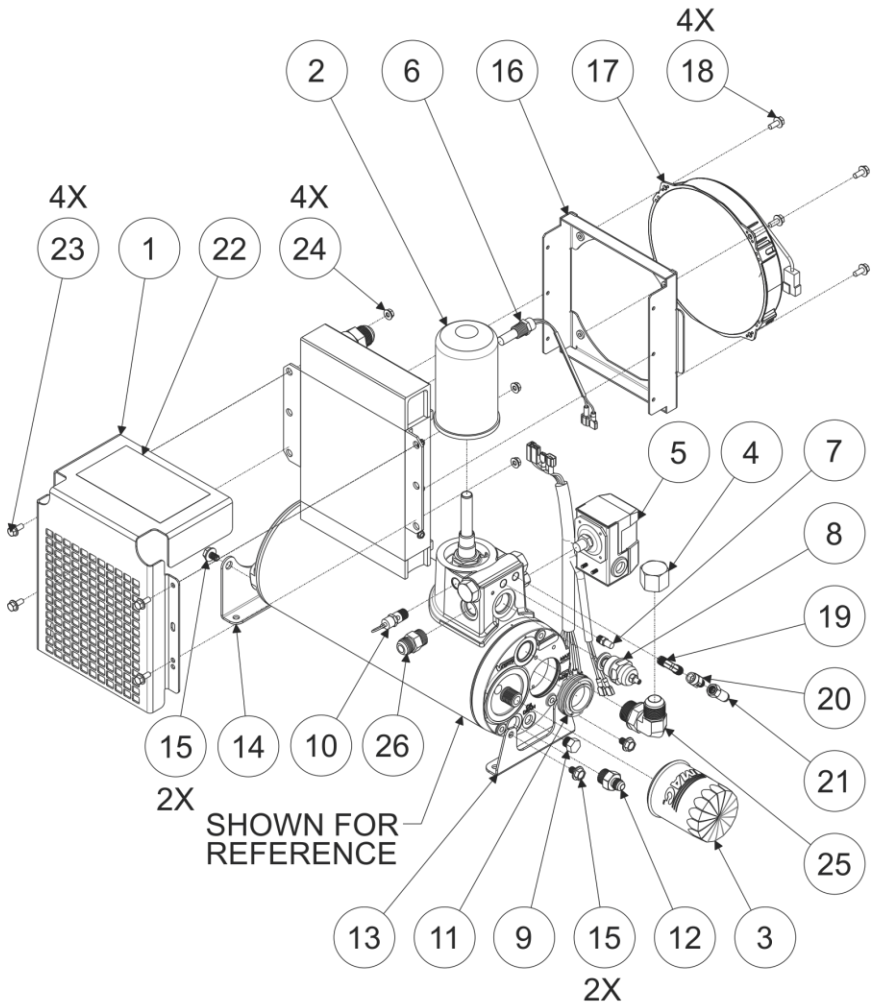


Figure 4 - WHASP Tank Assembly