

LIFETIME EXCELLENCE



Spare Parts Catalog
PRC 60V
(OS702BA)

Edition: November 2021

Omaha Standard Palfinger
3501 South 11th Street
Council Bluffs, Iowa 51501
www.palfinger.com

PALFINGER



PRC HYDRAULICALLY DRIVEN AIR COMPRESSOR ILLUSTRATED PARTS LIST (IPL)

PRC60V

www.palfinger.com

Illustrated Parts List for System OS702BA

1 – Main Assembly	3
2 – Inlet Valve & Compressor System, OSC9400160 & OSCP170072....	5
3 – Cooler Assembly, OSC9400069	7
4 – Manifold Assembly, OSC9400124	8
5 – Tank Assembly, OSC9400050	9
6 – Panel Assembly	11
7 – PAL Pro Harness, OSCA530003	12

Document Number: OSC1930334

Revision	Revision Details	Revised by	Checked by				Implemented
			Eng.		Tech.	Qual.	
			Mech.	Elec.			
A	ECN 17-135: Engineering release	MRH	NC	N/A	DB	AWG	15 Sep 2017
B	ECN 17-155: Updated part number	MRH	NAC	N/A	DSB	AMG	3 Nov 2017
C	ECN 17- 228 Update to high pressure	MRH	NAC	N/A	DSB	AWG	21 Nov 2017
D	ECN 18-091: new display box part #	MRH	NAC	N/A	DSB	AWG	04 May 2018
E	ECN 18-207:Added mounting hardware	MRH	NAC	SM	DSB	AWG	11OCT2018
F	ECN 20-079: Branding changes	MCA	MRH	N/A	BDJ	LPH	21Apr 2020
G	ECN 20-068: Discharge cap bolts	MCA	MRH	N/A	BDJ	LPH	23 Apr 2020
H	ECN 21-162: Wiring harness update	GJM	MRH	N/A	DK	LPH	01 DEC 2021

Omaha Standard PALFINGER

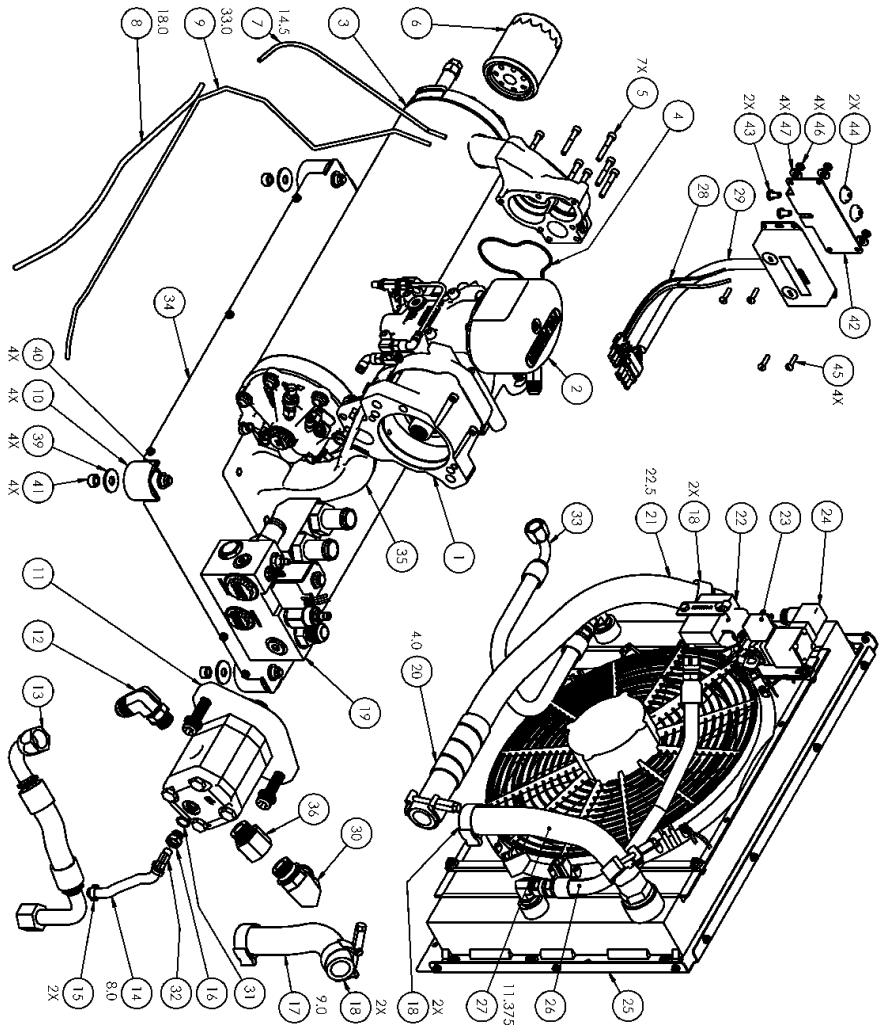
Go to www.palfinger.com to locate your nearest Distributor

1 – Main Assembly

Item #	Part #	Qty	Description
1	OSCP170072	1	ASSY, COMP, H60, PRC
2	OSC9400160	1	ASSY, INLET VALVE, PRC
3	OSC9400050	1	ASSEMBLY, TANK
4	OSC5830122	1	O-RING, VITON, 3 3/4 ID X 3/32
5	OSC1540583	7	BOLT, SHCS, M6 X 1 X 40, GR8.8, PL
6	OSC3600201	1	OIL FILTER, VR 3.250 SHORT
7	OSC1700571	14.5"	TUBE, TEFLON,PTFE, 3/16"OD X 1/8"ID
8	OSC1700570	18.0"	TUBE, TEFLON, PTFE, 1/4"OD X 3/16"ID
9	OSC1700571	33.0"	TUBE, TEFLON,PTFE, 3/16"OD X 1/8"ID
10	OSC1500612	4	VIBRATION MOUNT, RUBBER, 1 5/8 X 2
11	OSC4500134	1	MOTOR, HYDRAULIC, 21.1CC
12	OSC4900070	1	ELBOW, JIC, 7/8 - 14 X 1 1/16 - 12
13	OSC1710822	1	ASSEMBLY, HOSE, HYDRAULIC
14	OSC1700564	8.0"	HOSE,HYDRAULIC,LOW PRESSURE, 1/4"
15	OSC2200056	2	CLAMP, O, 1/2
16	OSC3200398	1	ADAPTER, #6 ORB M - 1/8 NPT F
17	OSC1700580	9.0"	HOSE, SAE 100R4, #16
18	OSC2200177	6	CLAMP, T-BOLT 1-1/2
19	OSC9400124	1	ASSEMBLY, HYDRAULIC MANIFOLD
20	OSC1700584	4.0"	SPIRAL WRAP, 1" OD, BLACK
21	OSC1700580	22.5"	HOSE, SAE 100R4, #16
22	OSC3550892	1	CONTROL BOX PREDATAIR
23	OSC3501352	1	RELAY, WEATHERPROOF
24	OSC3501252	1	VALVE, SOLENOID, N.O., 12V, DIN
25	OSC9400069	1	ASSEMBLY, COOLER
26	OSC1750016	1	HOSE, CRIMPED, 1/2" X 16"
27	OSC1700580	11.375"	HOSE, SAE 100R4, #16
28	OSC3550717	1	INTERFACE CABLE
29	OSC3551011	1	DISPLAY BOX, HYD, PALFINGER
30	OSC4900136	1	CONNECTOR, 1" HOSE-#12 ORB, 90 DEG
31	OSC5830139	1	O-RING, BUNA, # 6 ORB
32	OSC5000054	1	CONNECTOR, BRASS NPT-HOSE, 1/8-1/4
33	OSC1752018	1	HOSE, CRIMPED, 1/2" X 18"
34	OSC9400012	1	TRAY, BASE
35	OSC1100169	1	BRACKET
36	OSC4900206	1	CONN, STRAIGHT, #12 MORB X #12 FORB
37	OSCA700094	1	OIL, VR, 4L, HIGH PERFORMANCE
38	OSC4401284	1	DECAL, OPER INSTR, OS701BA/OS702BA
39	OSC1570496	4	WASHER, FENDER, 10MM X 30MM
40	EM 698	4	NUT, NYLOCK NC PL, 3/8
41	OSC1550534	4	NUT, CENTER LOCK, NC PL, 3/8
42	OSC1201125	1	BRACKET, DISPLAY, HYD
43	OSC1510553	2	BOLT, HHCS, 1/4-20 X 1/2, GR5, ZINC
44	OSC1550529	2	NUT, FLANGE, 1/4-20
45	OSC1500218	4	SCREW, PHMS, 10-24 X 3/4
46	OSC1550536	4	NUT, HEX, 10-24, ZINC
47	OSC1570038	4	WASHER, FLAT SAE, 1/4

Omaha Standard PALFINGER

Go to www.palfinger.com to locate your nearest Distributor



Note: Items 37 & 38 not shown

Figure 1 – Main Assembly

2 – Inlet Valve & Compressor System, OSC9400160 & OSCP170072

Item #	Part #	Qty	Description
1	OSC1700571	6.5"	TUBE, TEFLON,PTFE, 3/16"OD X 1/8"ID
2	OSC3600184	1	ASSEMBLY, FITTING RESTRICTION
3	OSC5000020	1	ELBOW, BRASS NPT-POLY, 1/8-1/4
4	OSC3600183	1	ASSEMBLY, MUFFLER RESTRICTION
5	OSC5000137	2	TEE, MALE BRANCH, 1/8" NPT, FORGED
6	OSC5000165	2	ELBOW,90, BRASS NPT-POLY, 1/8-3/16
7	OSC3600123	2	VALVE, CHECK, 1/8 NPT
8	OSC5000090	2	ELBOW, BRASS, EXTR'D 90 STREET, 1/8
9	OSC5000121	1	TEE, STREET, EXTRUDED, 1/8
10	OSC3600037	1	ELEMENT, FILTER, PAPER
11	OSC3600066	1	COVER, AIR FILTER, PLASTIC
12	OSCP170034	1	COMPRESSOR, H60
13	OSC4900002	1	ELBOW, STEEL JIC/O-RING, 1/2 3/4-16
14	OSC5830132	1	O-RING, VITON, #8 ORB
15	OSC9400160	1	ASSY, INLET VALVE, PRC
16	OSC1540530	2	BOLT,SHCS,M8 X 1.25 X 55, G12.9 PLT
17	OSC1540550	2	BOLT,SHCS,M8 X 1.25 X 50, G12.9 PLT
18	OSC5830004	1	O-RING, VITON, 3 1/8 ID X 1/8

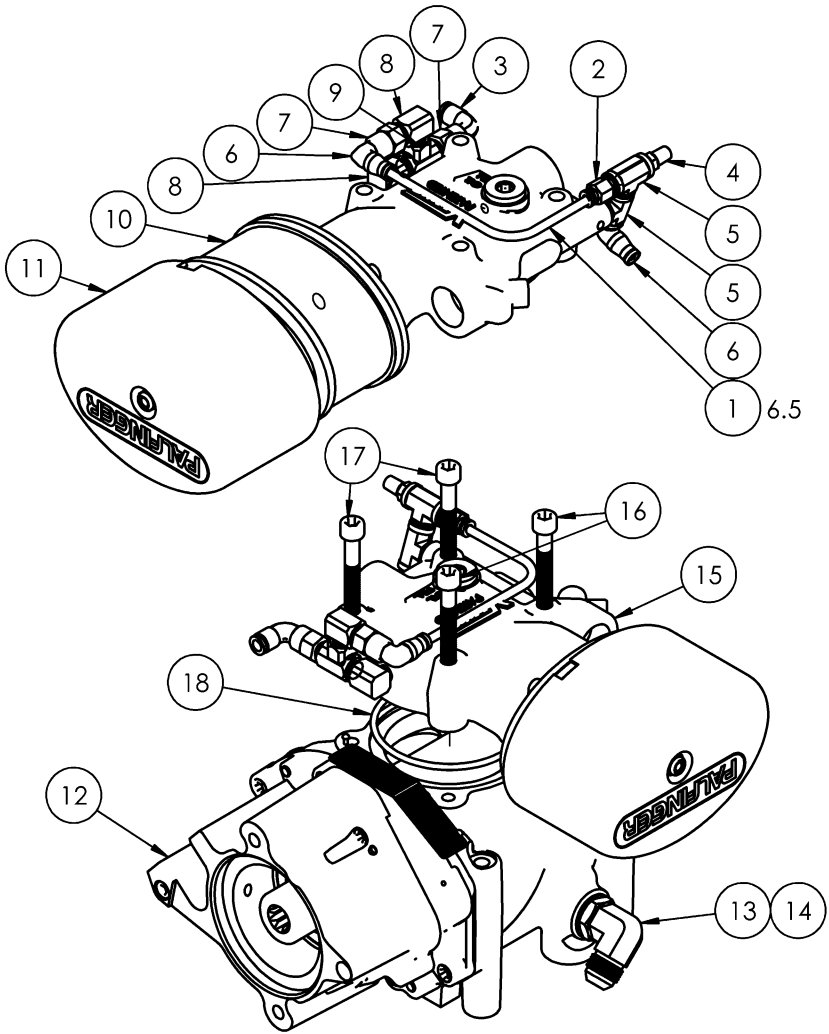


Figure 2 – Inlet Valve and Compressor

3 – Cooler Assembly, OSC940069

Item #	Part #	Qty	Description
1	OSC9400010	1	PANEL, REAR
2	OSC3600138	1	COOLER, DUAL CORE
3	OSC3500817	1	ASSEMBLY FAN, 16"
4	OSC1200561	1	BRACKET CLAMP
5	OSC1200795	1	BRACKET, CONTROL BOX & SOLENOID
6	OSC4900131	2	CONNECTOR, HOSE-ORB, 45DEG, #16
7	OSC4900203	2	CONN, STEEL, 90, #8 MJIC - #8 MORB

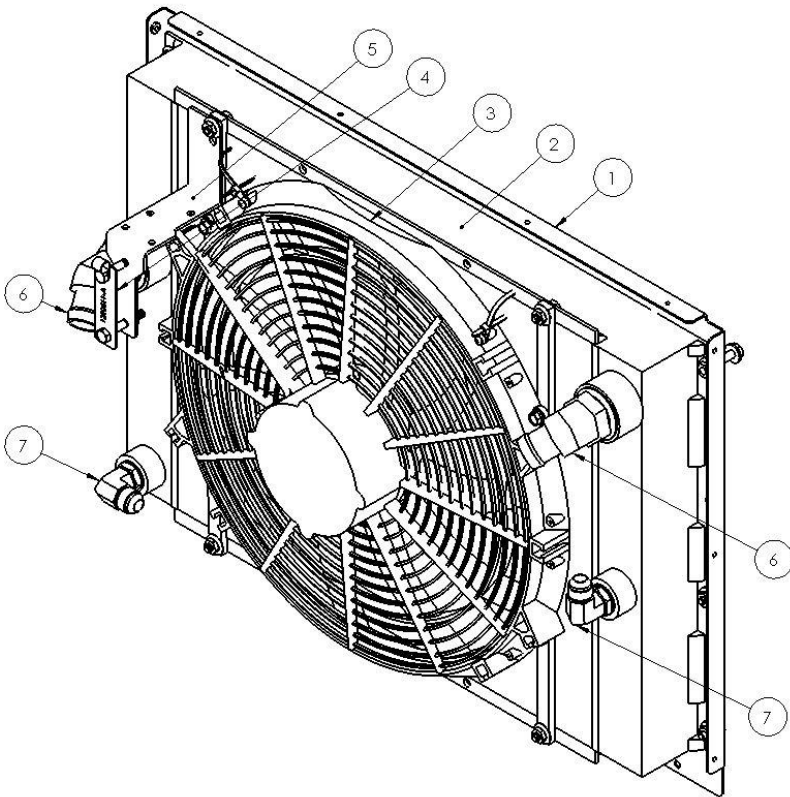


Figure 3 – Cooler Assembly

4 – Manifold Assembly, OSC9400124

Item #	Part #	Qty	Description
1	OSC9400052	1	MANIFOLD, HYDRAULIC
2	OSC4900129	3	CONNECTOR, HOSE-ORB, STRAIGHT #16
3	OSC9400053	1	MANIFOLD, MOTOR TO COOLER
4	OSC4900130	1	CONNECTOR, UNION, MALE, ORB, 12
5	OSC4500125	1	VALVE, CARTRIDGE, CHECK, 65PSI
6	OSC3550719	1	PROBE, ASSY, THERMISTOR, WP CONN
7	OSC5830126	1	O-RING, VITON, ORB -5
8	OSC5000156	1	CONNECTOR, BRASS, #5 ORB-1/4" HB.
9	OSC4500130	1	COIL, SOLENOID, 5/8
10	OSC4500129	1	VALVE, POPPET, 2 WAY, SOLENOID
11	OSC4500136	1	VALVE, PRESSURE RELIEF, 3300 PSI
12	OSC4900128	1	FITTING, 12ORB – 12JIC, STEEL
13	OSC4900098	1	PLUG, ORB, # 6

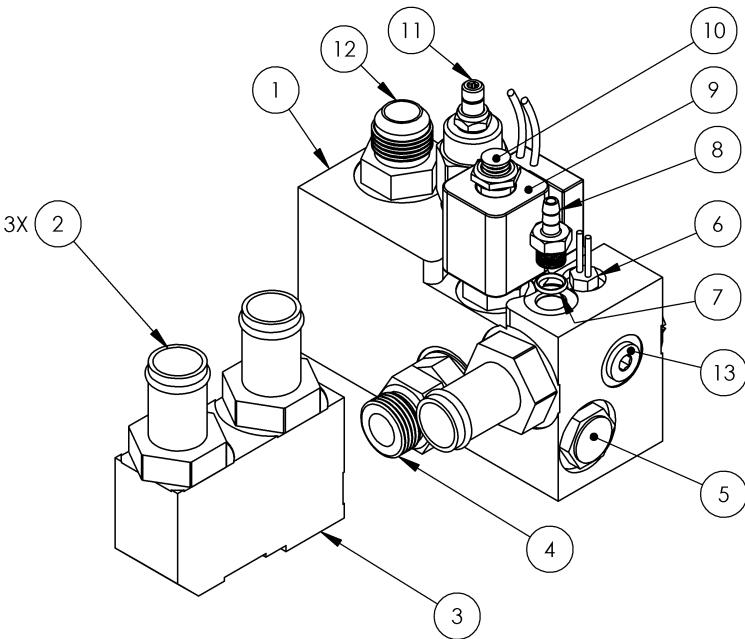


Figure 4 – Manifold Assembly

5 – Tank Assembly, OSC9400050

Item #	Part #	Qty	Description
1	OSC1510086	6	BOLT, HHCS NC G5 FL LK, 3/8 X 1
2	OSC3200287	1	TUBE, OIL DRAIN
3	OSC3550719	1	PROBE, ASSY, THERMISTOR, WP CONN
4	OSC3600090	1	THIMBLE, SCREEN
5	OSC4900106	1	PLUG, STEEL, #5 ORB, HEX
6	OSC4900234	1	PLUG, HEX, STEEL, #12 ORB
7	OSC4900035	1	NIPPLE, STEEL, STR. THRD. 3/4" - 16
8	OSC4900203	1	CONN, STEEL, 90, #8, MJIC - #8 MORB
9	OSC5830066	1	O-RING, VITON, 4 3/4 ID X 1/8
10	OSC5830126	1	O-RING, VITON, ORB -5
11	OSC5840069	1	SPRING, COMPRESSION, FL 1.5",OD .54
12	OSC9400059	1	ASSEMBLY, BLOWDOWN CAP
12.1	OSC3500288	1	SENSOR, PRESSURE
12.2	OSC3600054	1	VALVE, SAFETY 200 PSI
12.3	OSC4500104	1	MUFFLER SINTERED EXHAUST, 1/8
12.4	OSC5000020	1	ELBOW, BRASS, NPT-POLY 1/8"-1/4"
12.5	OSC5000160	1	ADAPTER, BRASS, 1/8-1/8 NPT
12.6	OSC5000165	1	ELBOW, 90, BRASS, NPT-POLY, 1/8"-3/16"
12.7	OSC5000160	1	ADAPTER, BRASS, 1/8-1/8 NPT
12.8	OSC4300076	1	PIPE FTG, PLUG SKT HEAD, 1/8
12.9	OSC9400029	1	MUFFLER RESTRICTION
12.10	OSC3600064	1	SEAL, TANK REAR CAP
13	OSCA700061	1	SIGHT GLASS ASSEMBLY
14	OSCA700152	1	COALESCING ASSEMBLY

Omaha Standard PALFINGER

Go to www.palfinger.com to locate your nearest Distributor

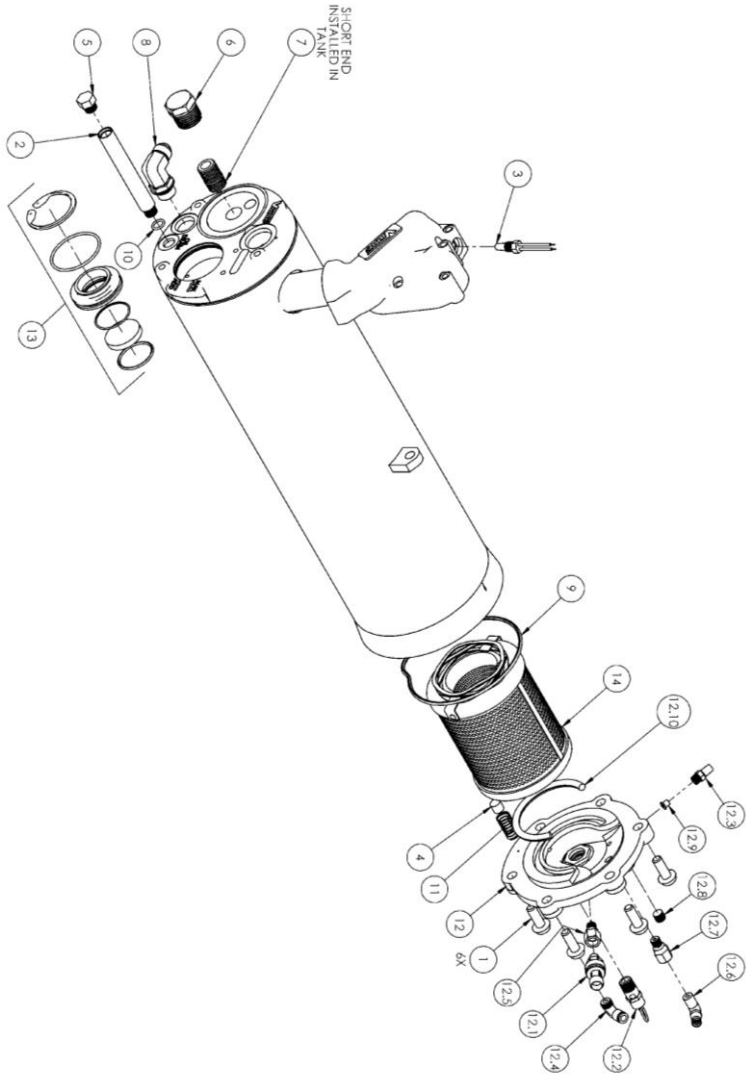


Figure 5 – Tank Assembly

6 – Panel Assembly

Item #	Part #	Qty	Description
1	OSC9400073	1	PANEL, LEFT SIDE
1.1	OSC4400906	1	LABEL, OIL FILL
1.2	OSC2200171	2	CLIP, STRAIN RELIEF
2	OSC9400072	1	PANEL, TOP
2.1	OSC1500598	2	RIVET, ALUMINUM, CLOSED END, 1/8"
3	OSC9400075	1	PANEL, FRONT
3.1	OSC4401281	1	DECAL, PRC60V, FRONT
4	OSC9400074	1	PANEL, RIGHT SIDE
4.1	OSC4400722	1	LABEL, DECAL DANGER WARNING
4.2	OSC4400903	1	LABEL, HYD. RETURN
4.3	OSC4400904	1	LABEL, HYD. SUPPLY
5	OSC1500587	34	SCREW, SL, MC, IND HEX 10-32 X 3/8-SS
6	OSC1570488	34	WASHER, NYLON, 3/16
7	OSC4401283	1	DECAL, PRC60V, BACK
8	OSC4400905	1	LABEL, OIL DRAIN

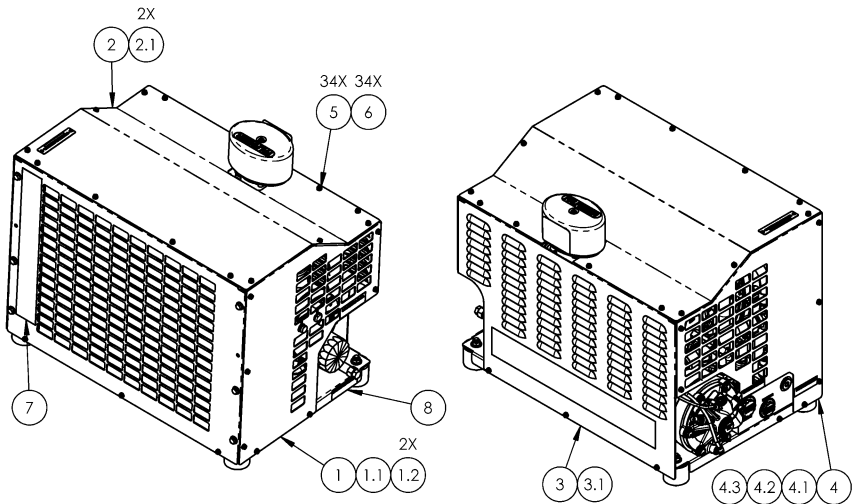


Figure 6 – Panel Assembly

7 – PAL Pro Harness, OSCA530003

Item #	Part #	Qty	Description
1	OSC3550981	1	HARNES, PAL PRO
2	OSC3530751	1	CABLE SET, DISPLAY, 25FT
3	OSC1550525	1	NUT, NYLOCK, JAM, ZINC PL 10-32
4	OSC1500587	1	SCREW, SL, MC IND HEX 10-32 X 3/8-SS
5	OSC3501350	1	PIN, METRIPACK 630, FEM, 20-18GA
6	OSC3500741	1	TUBING, HEAT SHRINK, 1/8, BLACK

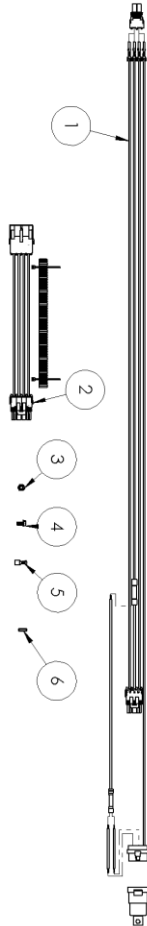


Figure 7 – PAL Pro Harness

This page intentionally left blank

This page intentionally left blank

PALFINGER

www.palfinger.com