

# Illustrated Parts List for VMAC System S700164 John Deere 4045 VR70

1. Kit Pack List.....	2
2. Fastener Pack, 3800917 .....	4
3. Compressor Assembly, P120149 .....	6
4. Inlet Valve Sub Components, 9200419 .....	8
5. Main Bracket Assembly, 4800621 .....	9
6. Tank, VR70, 9200430 .....	10
7. Cooler Assembly, 4800623 .....	12
8. Air Filter Assembly, 4800622 .....	13

NOTE: Drawings are not to scale.

Document 1930221

## Changes and Revisions

Version	Revision Details	Revised by /date	Checked by /date	Reviewed by /date	Implemented
A	Engineering Release	RR 01 Apr 2014	MP 01 May 2014	RF 01 May 2014	02 May 2014
B	ECN 14-032	RR 14 May 2014	MP 17 Jun 2014	RD 17 Jun 2014	17 Jun 2014

**VMAC – Vehicle Mounted Air Compressors**

Toll Free: 1-800-738-8622

Local: 1-250-740-3200

Fax: 1-250-740-3201

## 1. Kit Pack List

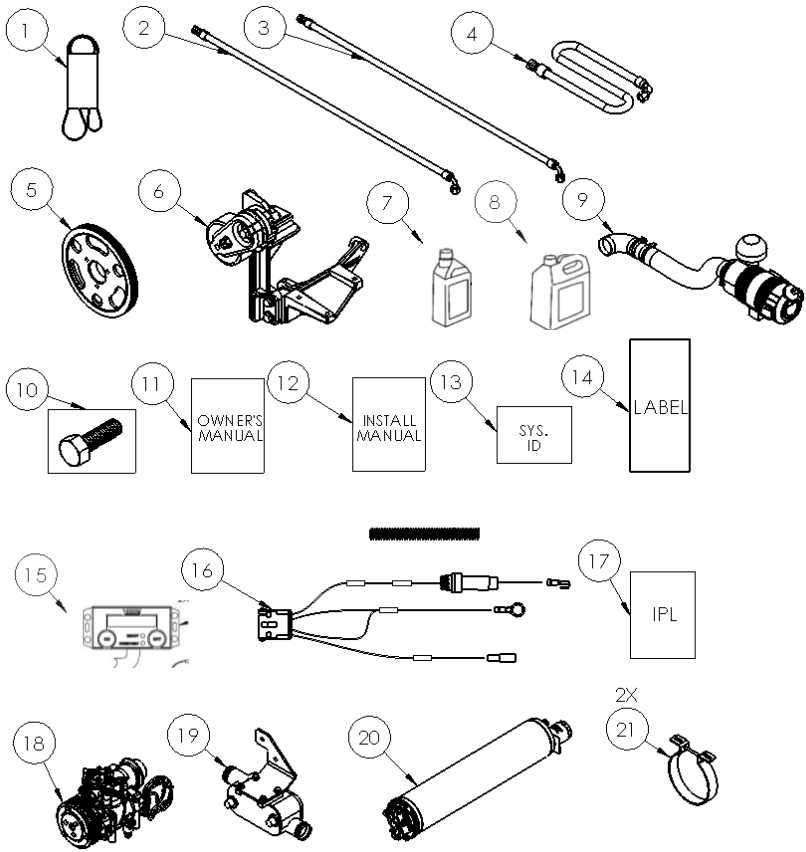
Item #	Part #	Qty	Description
1	1610351	1	BELT, K060551
2	1752055	1	HOSE, CRIMPED, 1/2"X55"
3	1752062	1	HOSE, CRIMPED, 1/2"X62"
4	1772031	1	HOSE, CRIMPED, 3/4"X31"
5	1800220	1	PULLEY, CRANK, JD 4045
6	4800621	1	ASSEMBLY, MAIN BRACKET, S700164
7	A700091	1	OIL, VR, 1L, HIGH PERFORMANCE
8	A700094	1	OIL, VR, 4L, HIGH PERFORMANCE
9	4800622	1	ASSEMBLY, AIR FILTER
10	3800917	1	FASTENER PACK, S700164
11	1930060	1	MANUAL, OWNERS GENERIC, VR70 & VR150
12	1930216	1	MANUAL, INSTALLATION, S700164
13	4800384	1	SYS ID & OP INST, S700164
14	4401053	1	LABEL, S700164, BELT ROUTING
15	3550722	1	VR CONTROL BOX, 96.0" TEMP
16	3550857	1	CABLE, INTERFACE
17	1930221	1	ILLUSTRATED PARTS LIST, S700164
18	P120149	1	ASSEMBLY, COMPRESOR, S700164
19	4800623	1	ASSEMBLY, COOLER
20	9200430	1	TANK, VR70 DRESSED INT OIL FILTER
21	2200105	2	CLAMP, MOUNTING BRACKET C, 6

**VMAC – Vehicle Mounted Air Compressors**

Toll Free: 1-800-738-8622

Local: 1-250-740-3200

Fax: 1-250-740-3201



**Figure 1 - Kit Pack List**

## 2. Fastener Pack, 3800917

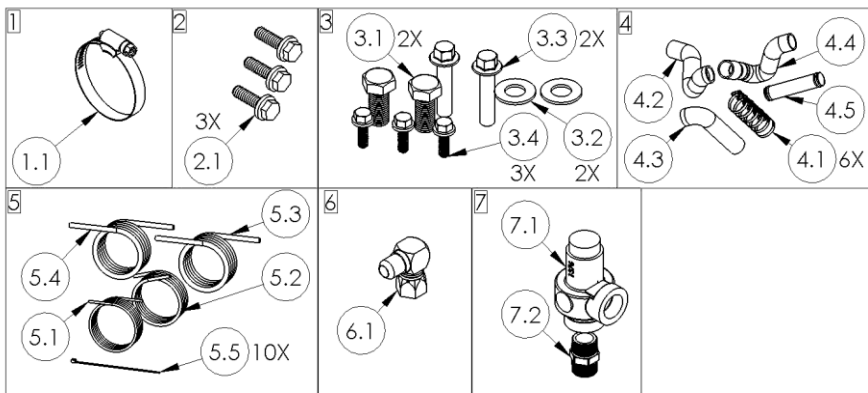
Item #	Part #	Qty	Description
1	3800918	1	FASTENER PACK, AIR FILTER
1.1	2200158	1	CLAMP, HOSE HS40
2	3800919	1	FASTENER PACK, CRANK PULLEY
2.1	1520538	3	BOLT, HHCS, FLHD, M10 X 1.50 X 35
3	3800921	1	FAST PACK, MAIN BRACKET
3.1	1520584	2	BOLT, HHCS, M16 X 2.0 X 35 PL
3.2	1570233	2	WASHER, FLAT SAE, 5/8
3.3	1520628	2	BOLT, HHCS, FL PL, M12 X 1.75 X 55
3.4	1520591	3	BOLT, HHCS, M8-1.25 X 25, G10.9 FL PL
4	3800922	1	FASTENER PACK, COOLER
4.1	2200043	6	CLAMP, HOSE HS36
4.2	1710827	1	HOSE, RAD, MODIFIED
4.3	1710828	1	HOSE, RAD, MODIFIED
4.4	1710829	1	HOSE, RAD, MODIFIED
4.5	1720689	1	TUBE, 2" CONNECTOR
5	3800923	1	FASTENER PACK, TEFLON HOSE
5.1	1700571	84	TUBE, TEFLON, PTFE, 3/16" OD X 1/8" ID
5.2	1700570	84	TUBE, TEFLON, PTFE, 1/4" OD
5.3	1700581	84	LOOM, SPLIT PLASTIC, 1/4, HIGH TEMP
5.4	1700581	84	LOOM, SPLIT PLASTIC, 1/4, HIGH TEMP
5.5	2200039	10	TIE, NYLON MD, 7"
6	3800924	1	FASTENER PACK, AOST
6.1	4900047	1	ELBOW, STEEL JIC, 90DEG, 1/2-1/2
7	3800948	1	FAST PACK, MIN PRESSURE CHECK VALVE
7.1	3600152	1	VALVE, 60 PSI MIN PRESSURE CHECK
7.2	5000155	1	NIPPLE, BRASS, HEX, 3/4-3/4

**VMAC – Vehicle Mounted Air Compressors**

Toll Free: 1-800-738-8622

Local: 1-250-740-3200

Fax: 1-250-740-3201



**Figure 2 - Fastener Pack**

### 3. Compressor Assembly, P120149

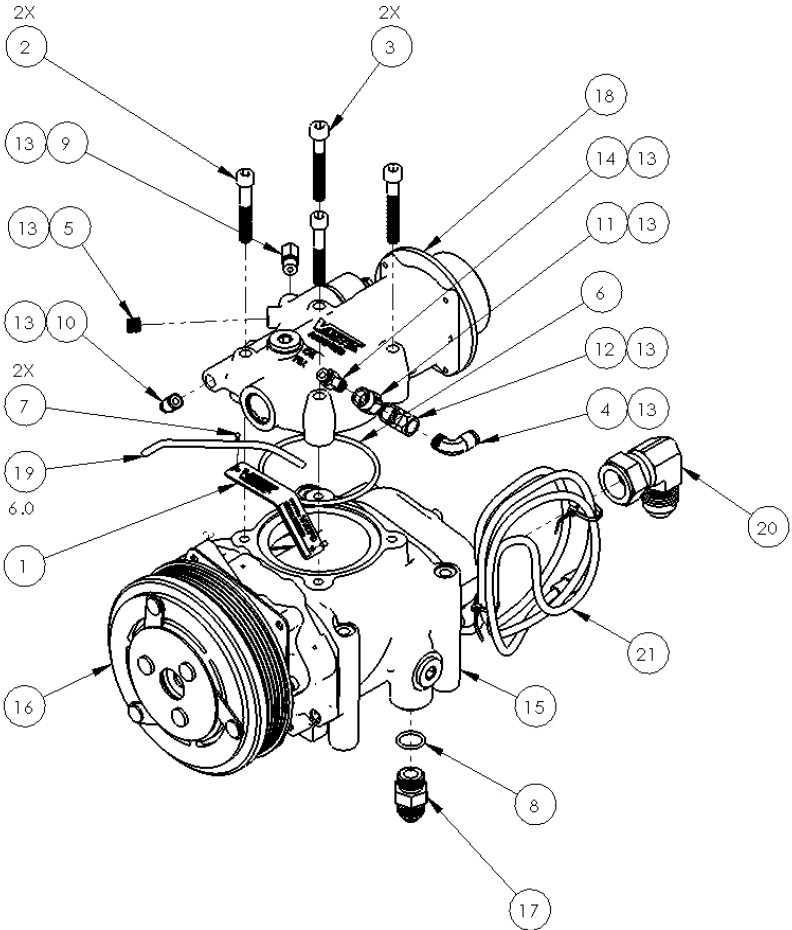
Item #	Part #	Qty	Description
1	4400295	1	LABEL, VR70 NAME PLATE
2	1540550	2	BOLT, SHCS, M8X 1.25 X 50, GR12.9 PLT
3	1540530	2	BOLT, SHCS, M8 X 1.25 X 55, GR12.9 PLT
4	5000020	1	ELBOW, BRASS NPT-POLY, 1/8-1/4
5	4300076	1	PIPE FTG, PLUG SKT HEAD, 1/8
6	5830004	1	O-RING, VITON, 3 1/8 ID X 1/8
7	1500355	2	SCREW, LONG U DRIVE, 2-3/16
8	5830132	1	O-RING, VION, #8 ORB
9	5000162	1	CONNECT, BRASS, NPT-POLY, 3/16-1/8 NPT
10	5000165	1	ELBOW, 90, BRASS NPT-POLY, 1/8-3/16
11	3600123	1	VALVE, CHECK, 1/8 NPT
12	5000121	1	TEE, STREET, EXTRUDED, 1/8
13	5400345	A/R	LOCTITE, 592, THREAD SEALANT SLOW CURE
14	3600146	1	ASSEMBLY, FITTING RESTRICTION
15	P120008	1	VR70 COMPRESSOR ASSEMBLY
16	P200035	1	CLUTCH, COMPLETE 6 GROOVE
17	4900046	1	CONN, STL, 3/4-16 O-RING TO 1/2 TUBE
18	9200509	1	ASSEMBLY, INLET VALVE
19	1700571	6.0	TUBE, TEFLON, PTFE, 3/16" OD X 1/8" ID
20	4900043	1	ELBOW, STEEL, JIC/JIC SWIVEL, 3/4
21	3550682	1	PROBE, ASSY, THERMISTOR, SHORT

**VMAC – Vehicle Mounted Air Compressors**

Toll Free: 1-800-738-8622

Local: 1-250-740-3200

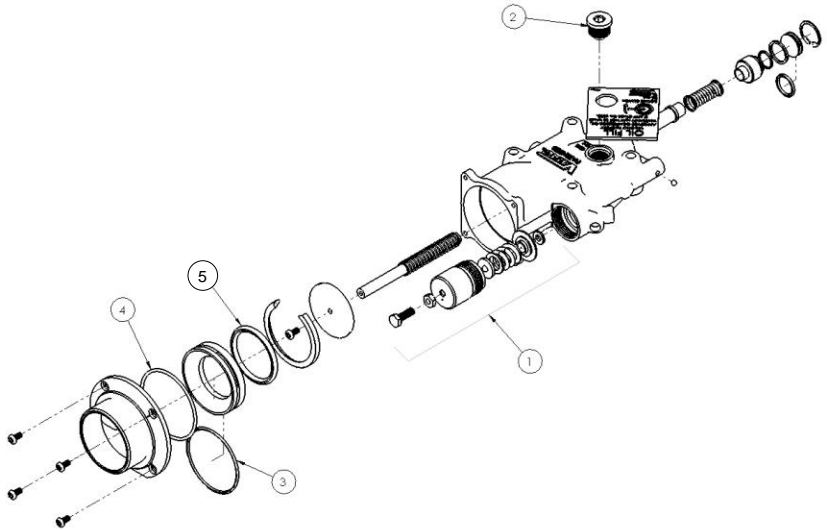
Fax: 1-250-740-3201



**Figure 3 - Compressor Assembly (P120149)**

#### 4. Inlet Valve Sub Components, 9200509

Item #	Part #	Qty	Description
1	3600046	1	KIT, REGULATOR
2	4900045	1	PLUG, STEEL HEX SAE/O-RING PORT
3	5830002	1	O-RING, VITON, 2 3/8 ID X 3/32
4	5830070	1	O-RING, VITON, 2 9/16 ID X 3/32
5	5830129	1	O-RING, 40D SIL., 1 7/8 ID X 3/16



**Figure 4 - Inlet Valve Sub Components**

**VMAC – Vehicle Mounted Air Compressors**

Toll Free: 1-800-738-8622

Local: 1-250-740-3200

Fax: 1-250-740-3201



5. Main Bracket Assembly, 4800621

Item #	Part #	Qty	Description
1	1100196	1	BRACKET, JD 4045, COMPRESSOR
2	1100197	1	BRACKET, JD 4045, TENSIONER
3	1520538	2	BOLT, HHCS FLHD PL, M10 X 1.5 X 35
4	3300036	1	TENSIONER 7C3Z-6B209-D
5	4400463	1	LABEL, FASTENERS NOT TIGHTENED

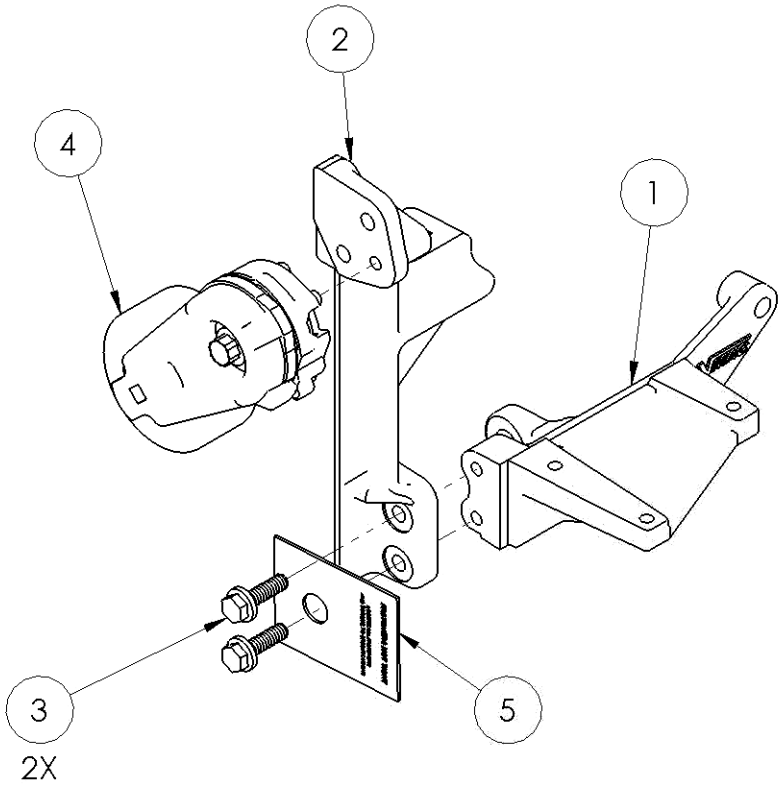


Figure 5 - Main Bracket Assembly

6. Tank, VR70, 9200430

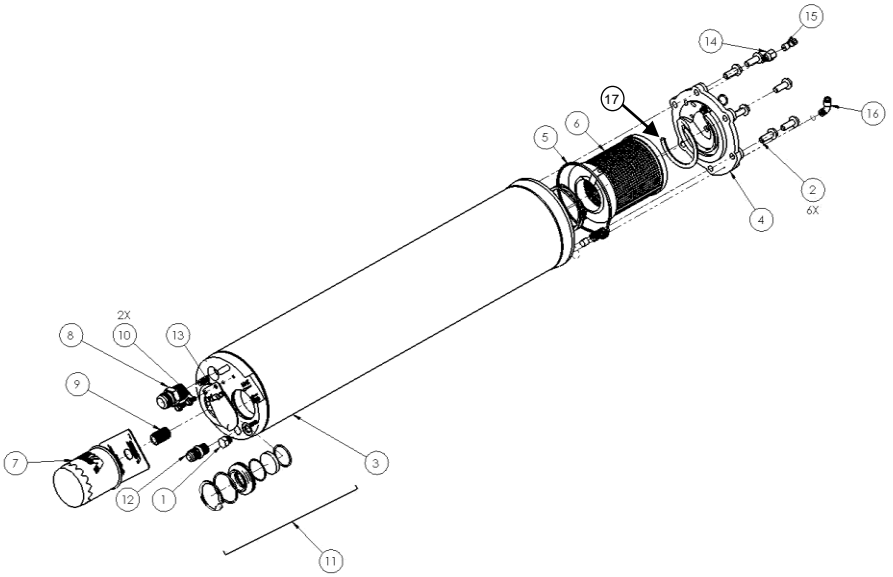
Item #	Part #	Qty	Description
1	4900106	1	PLUG, STEEL, #5 ORB, HEX (VITON-O)
2	1510086	6	BOLT, HHCS NC G5 FL LK, 3/8 X 1
3	9200378	1	TANK, OIL SEPARATOR
4	9200437	1	ASSEMBLY, BLOWDOWN CAP
5	5830066	1	O-RING, VITON, 4 ¼ ID X 1/8
6	3600036	1	ELEMENT, SEP, COALESING
7	9200039	1	OIL FILTER, VR70, 3.250 SHORT
8	4900033	1	CONNECTOR, STEEL NPT-JIC, 3/4-3/4
9	4900035	1	NIPPLE, STEEL STR THRD, 3/4-16
10	1510522	2	BOLT, HHCS NC G8 FL LK PL, ¼ X ½
11	A700061	1	SIGHT GLASS ASSEMBLY
12	5000089	1	CONNECTOR, BRASS NPT-SAW, 3/8-1/2
13	3200231	1	COVER, SIGHT GLASS
14	5000160	1	ADAPTOR, BRASS, 1/8-1/8 NPT
15	5000165	1	ELBOW, 90, BRASS NPT-POLY, 1/8-3/16
16	5000020	1	ELBOW, BRASS NPT-POLY, 1/8-1/4
17	3600064	1	SEAL, TANK REAR CAP

**VMAC – Vehicle Mounted Air Compressors**

Toll Free: 1-800-738-8622

Local: 1-250-740-3200

Fax: 1-250-740-3201



**Figure 6 - VR70 Tank**

7. Cooler Assembly, 4800623

Item #	Part #	Qty	Description
1	9200434	1	COOLER, WELDMENT
2	1200724	1	BRACKET, COOLER
3	1520629	4	BOLT, HHCS, GR10.9, PL, FL, M10 X 1.5 X 16
4	5400396	A/R	LOCTITE, 242, BLUE

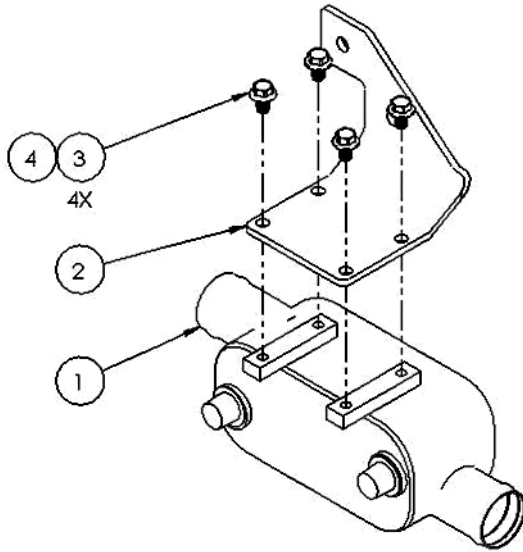


Figure 7 - Cooler Assembly

**VMAC – Vehicle Mounted Air Compressors**

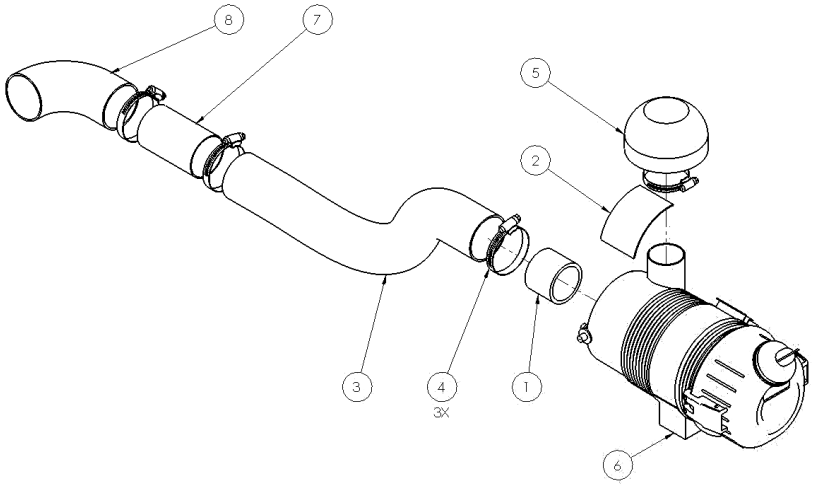
Toll Free: 1-800-738-8622

Local: 1-250-740-3200

Fax: 1-250-740-3201

8. Air Filter Assembly, 4800622

Item #	Part #	Qty	Description
1	1710680	1	HOSE, 1 7/8" X 2"
2	4400979	1	LABEL, AIR CLEANER, HEAVY DUTY
3	1710654	1	HOSE, AIR INTAKE 72" (1700550)
4	2200158	3	CLAMP, HOSE HS40
5	3600114	1	RAIN, HAT, AIR CLEANER CYCLONE
6	9500030	1	FILTER, AIR
7	1720690	1	TUBE, CONNECTOR
8	1700625	1	ELBOW, RUBBER, 2.5ID



**Figure 8 - Air Filter Assembly**