

# Illustrated Parts List for VMAC System S700165

## John Deere 6068 VR150

1.	Kit Pack List .....	2
2.	Fastener Pack, 3800934.....	4
3.	Compressor Assembly, P140048 .....	6
4.	Compressor Sub Components, P140046.....	8
5.	Inlet Valve Sub Components, 9210148 .....	9
6.	Main Bracket Assembly, 4800630 .....	10
7.	VR Tank, 9210050.....	12
8.	Air Filter Assembly, 4800626.....	14

NOTE: Drawings are not to scale

### Document 1930226 Changes and Revisions

Rev	Revision Details	Revised by/date	Approved by/date	Implemented
A	ENGINEERING RELEASE	RR 10 Nov 2014	MP/RD 17 Nov 2014	17 Nov 2014
B	ECN 15-054	RR 09 Jul 2015	AH/RD 23 Jul 2015	24 Jul 2015
C	ECN 15-144	CJH 22 Apr 2016	KM/DB 11 May 2016	01 Jun 2016
D	ECN 17-110	CJH 09 Nov 2017	BOJ/DB/AWG 09 Nov 2017	30 Nov 2017

### **VMAC – Vehicle Mounted Air Compressors**

Toll Free: 1-800-738-8622 Local: 1-250-740-3200

Fax: 1-250-740-3201

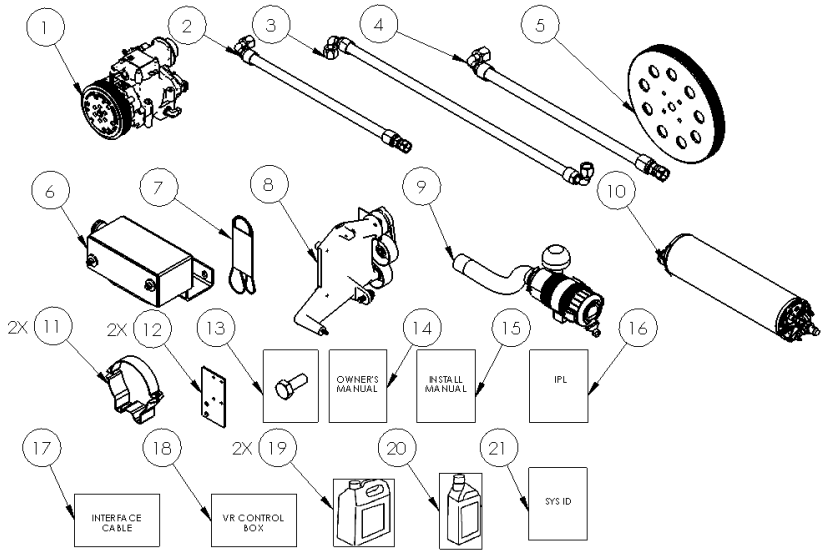
## 1. Kit Pack List

Item #	Part #	Qty	Description
1	P140048	1	ASSEMBLY, COMPRESSOR, S700165
2	1752088	1	HOSE, CRIMPED, 1/2" X 88"
3	1710835	1	HOSE, NOT CRIMPED, 1/2" X 88"
4	1782066	1	HOSE, CRIMPED, 1" X 66"
5	1800222	1	PULLEY, CRANK, JD 6068
6	9210147	1	COOLER, WELDMENT
7	1620361	1	BELT, K080730
8	4800630	1	ASSEMBLY, MAIN BRACKET, S700165
9	4800626	1	ASSEMBLY, AIR FILTER
10	9210050	1	TANK, VR150 DRESSED
11	2200149	2	CLAMP, MOUNTING BRACKET
12	1200753	2	BRACKET, TANK MOUNT, FRONT
13	3800934	1	FASTENER PACK, S700165
14	1930060	1	MANUAL, OWNERS GENERIC, VR70 & 150
15	1930220	1	MANUAL, INSTALLATION, S700165
16	1930226	1	ILLUSTRATED PARTS LIST, S700165
17	3550889	1	CABLE, INTERFACE, S700165
18	3550885	1	VR CONTROL BOX, S700165
19	A700094	2	OIL, VR, 4L, HIGH PERFORMANCE
20	A700091	1	OIL, VR, 1L, HIGH PERFORMANCE
21	4800636	1	SYS ID & OP INSTR, S700165

### **VMAC – Vehicle Mounted Air Compressors**

Toll Free: 1-800-738-8622 Local: 1-250-740-3200

Fax: 1-250-740-3201



**Figure 1 – Kit Pack List**

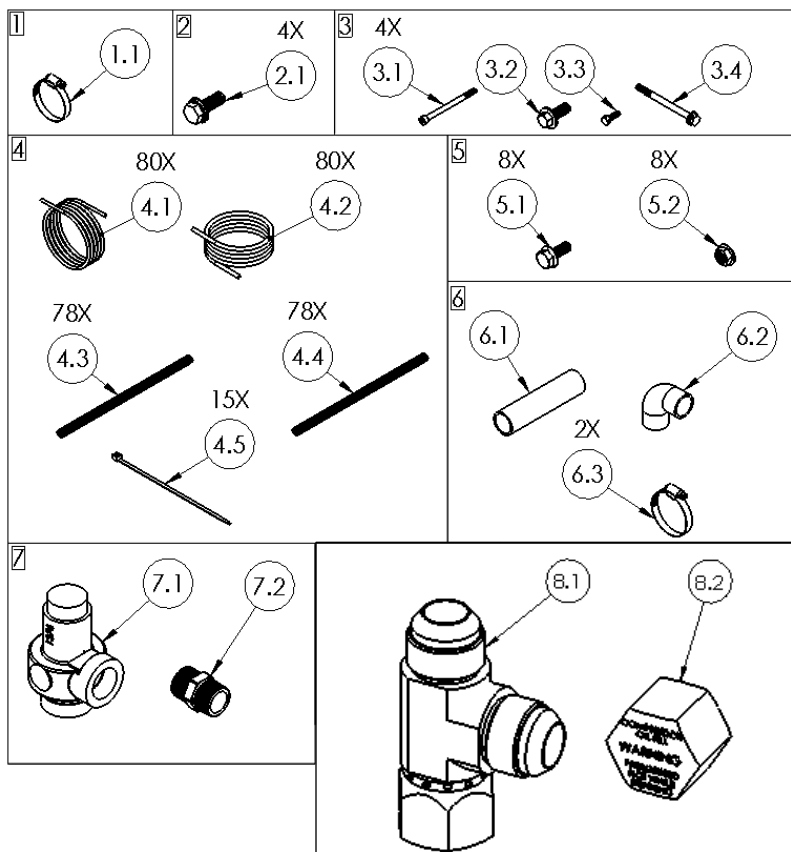
## 2. Fastener Pack, 3800934

Item #	Part #	Qty	Description
1	3800918	1	FASTENER PACK, AIR FILTER
1.1	2200158	1	CLAMP, HOSE HS40
2	3800945	1	FASTENER PACK, CRANK PULLEY
2.1	1520563	4	BOLT, HHCS FLPL G10.9 M10 X 1.50 X 25
3	3800946	1	FASTENER PACK, MAIN BRACKET
3.1	1540521	4	BOLT, SHCS, M8 X 1.25 X 110
3.2	1520607	1	BOLT, HHCS, G8.8, M16 X 2.0 X 40 FL PL
3.3	1520203	1	BOLT, HHCS G10.9, M8X1.25X25 FULL
3.4	1520597	1	BOLT, HHCS, M10 X 1.5 X 120
4	3800943	1	FASTENER PACK, TEFLON HOSE
4.1	1700571	80	TUBE, TEFLON, PTFE, 3/16" OD X 1/8" ID
4.2	1700570	80	TUBE, TEFLON, PTFE, 1/4" OD
4.3	1700581	78	LOOM, SPLIT PLASTIC, 1/4, HIGH TEMP
4.4	1700581	78	LOOM, SPLIT PLASTIC, 1/4, HIGH TEMP
4.5	2200039	15	TIE, NYLON MD, 7"
5	3800944	1	FASTENER PACK, AOST
5.1	1520627	8	BOLT, HHCS, FL PL, M8 X 1.25 X 20
5.2	1560515	8	NUT, M8 X 1.25 FL PL
6	3800947	1	FASTENER PACK, COOLER
6.1	1710843	1	HOSE, RADIATOR, 2"
6.2	1700601	1	HOSE, RUBBER ELBOW 2" X 90DEG
6.3	2200043	2	CLAMP, HOSE HS36
7	3800948	1	FAST PACK, MIN PRESSURE CHECK VALVE
7.1	3600152	1	VALVE, 60 PSI MIN PRESSURE CHECK
7.2	5000155	1	NIPPLE, BRASS, HEX, 3/4-3/4
8	3800825	1	FASTENER PACK, HOSE
8.1	4900162	1	TEE, RUN, STEEL #12JIC
8.2	4900164	1	FITTING, MODIFIED

### VMAC – Vehicle Mounted Air Compressors

Toll Free: 1-800-738-8622 Local: 1-250-740-3200

Fax: 1-250-740-3201



**Figure 2 – Fastener Pack**

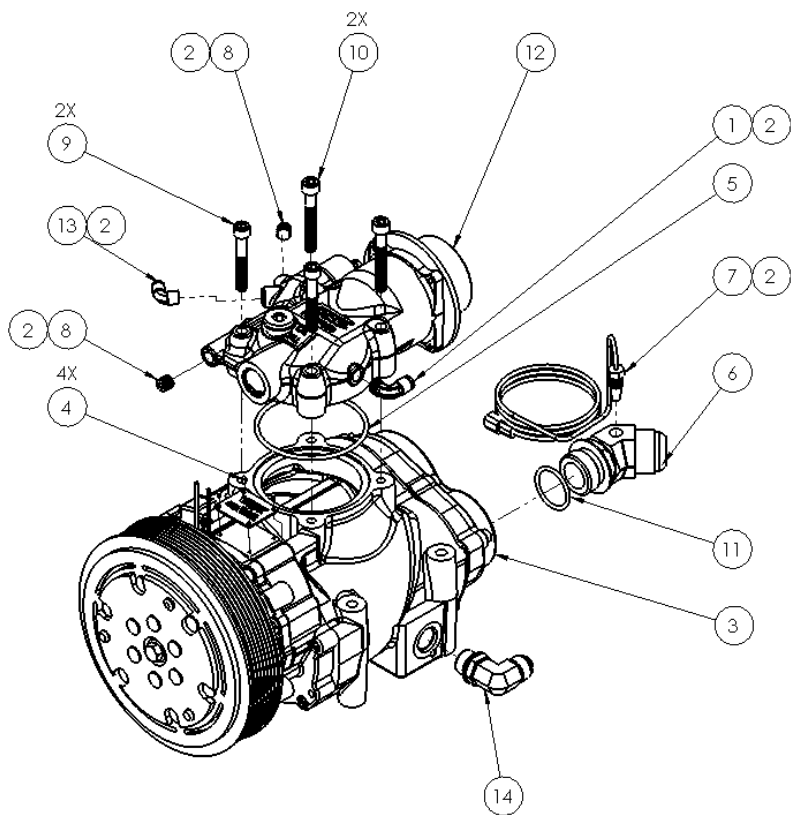
### 3. Compressor Assembly, P140048

Item #	Part #	Qty	Description
1	5000020	1	ELBOW, BRASS NPT-POLY, 1/8-1/4
2	5400345	A/R	LOCTITE, 592, THREAD SEALANT SLOW CURE
3	P140046	1	COMPRESSOR, ALUMINUM, 150
4	1500355	4	SCREW, LONG U DRIVE, 2-3/16
5	5830004	1	O-RING, VITON, 3 1/8 ID X 1/8
6	3200363	1	CONNECTOR, MODIFIED
7	3550682	1	PROBE, ASSY, THERMISTOR, SHORT
8	4300076	2	PIPE FTG, PLUG SKT HEAD, 1/8
9	1540550	2	BOLT SHCS, M8 X 1.25 X 50, G12.9 PLT
10	1540530	2	BOLT, SHCS, M8 X 1.25 X 55, G12.9 PLT
11	5830116	1	O-RING, VITON, ORB-16
12	9210148	1	ASSEMBLY, INLET VALVE
13	5000165	1	ELBOW, 90, BRASS NPT-POLY, 1/8-3/16
14	4900203	1	ELBOW, STEEL JIC/O-RING, ½ ¾-16

**VMAC – Vehicle Mounted Air Compressors**

Toll Free: 1-800-738-8622 Local: 1-250-740-3200

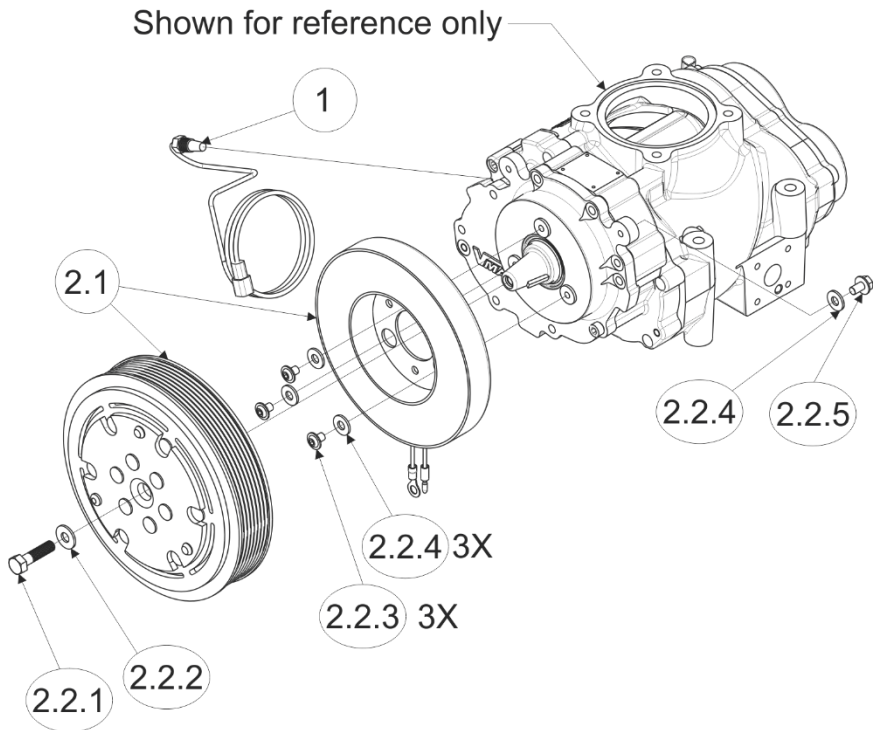
Fax: 1-250-740-3201



**Figure 3 – Compressor Assembly (P140048)**

#### 4. Compressor Sub Components, P140046

Item #	Part #	Qty	Description
1	3550682	1	TEMPERATURE PROBE
2	P200050	1	CLUTCH,REPLACEMENT,8 GROOVE,175FT LB
2.1	P200049	1	CLUTCH, COMPLETE,8 GROOVE, 175FT LB
2.2	3801129	1	FASTENER PACK, VR150 CLUTCH
2.2.1	1510064	1	BOLT, HHCS NF G8 PL, 5/16 X 1 1/4
2.2.2	1570476	1	WASHER, 5/16 ID X 3/4 OD
2.2.3	1500689	3	SCREW,BHSC,PL,M6X1X8MM
2.2.4	1570038	4	WASHER, FLAT SAE, 1/4
2.2.5	1520646	1	BOLT, HHCS G10.9, M6 X 1 X 10 FL PL

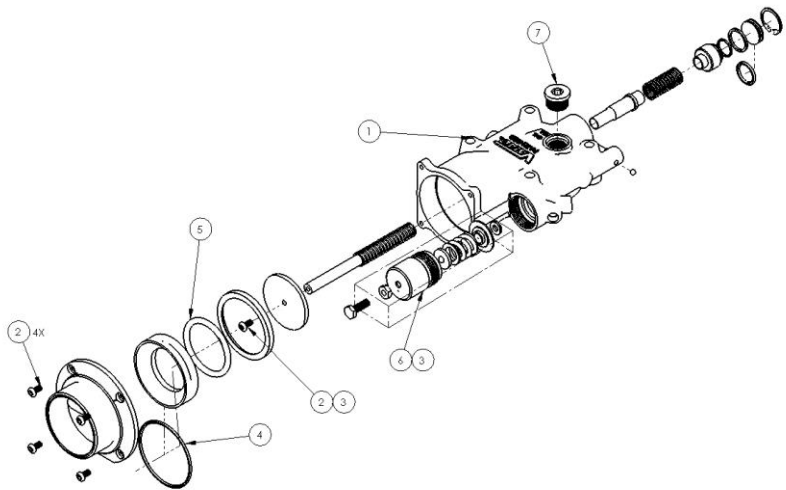


**Figure 4– Compressor Sub Components**



## 5. Inlet Valve Sub Components, 9210148

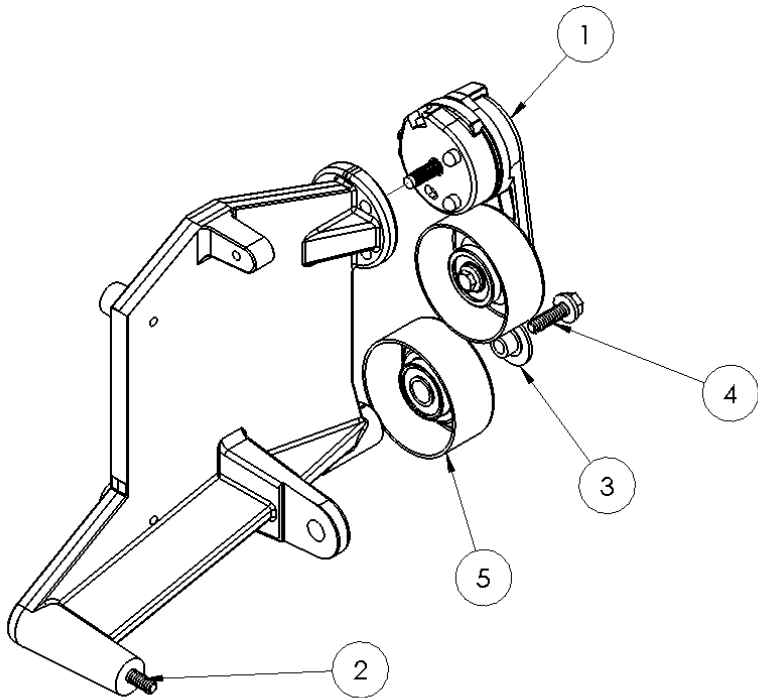
Item #	Part #	Qty	Description
1	9200415	1	INLET VALVE, BASIC INTEGRATED REG.
2	1500077	4	SCREW, BUTTON HEAD, 10-32 X 3/8
3	5400396	A/R	LOCTITE, 242, BLUE
4	5830070	1	O-RING, VITON, 2 9/16 ID X 3/32
5	5830129	1	O-RING, 40D SIL., 1 7/8 ID X 3/16
6	3600046	1	KIT, REGULATOR
7	4900045	1	PLUG, STEEL HEX SAE-O-RING PORT



**Figure 5 – Inlet Valve Sub Components**

## 6. Main Bracket Assembly, 4800630

Item #	Part #	Qty	Description
1	3300036	1	TENSIONER 7C3Z-6B209-D
2	1100200	1	BRACKET, JD 6068, MAIN
3	1400309	1	SPACER, IDLER 10MM BOLT
4	1520538	1	BOLT, HHCS, FLHD, M10 X 1.50 X 35
5	1300010	1	IDLER, SERP 8 RIB BACK STEEL

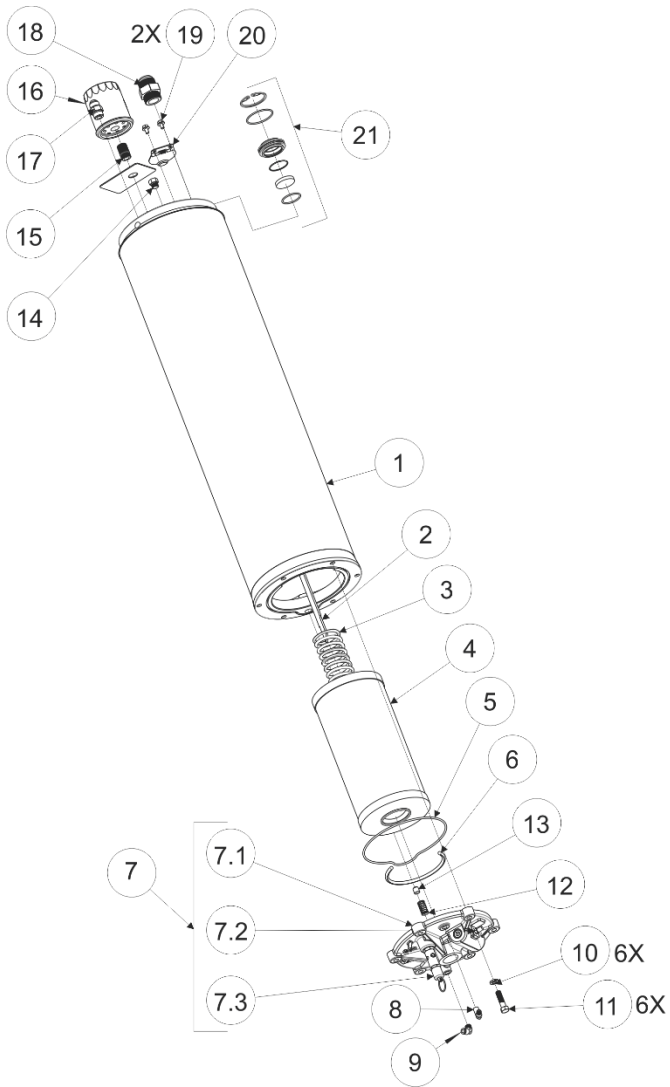


**Figure 6 – Main Bracket Assembly**

**This page left intentionally blank.**

7. VR150 Tank, 9210050

Item #	Part #	Qty	Description
1	9210040	1	TANK, WELDMENT, VR150
2	4100358	1	COALESCER SPRING PLATE
3	5840068	1	SPRING, COMPRESSION, 2.187 OD X 5
4	3600071	1	ELEMENT, SEP, COALESCING
5	5830123	1	O-RING, VITON, 7 ID X 1/8
6	3600075	1	SEAL, TANK REAR CAP
7	9210028	1	CAP, BLOWDOWN VR150
7.1	3200226	1	BLOWDOWN CAP, VR150
7.2	4500104	1	MUFFLER, SINTERED EXHAUST, 1/8"
7.3	3600073	1	VALVE, SAFETY, 3/8, 200 PSI
8	5000165	1	ELBOW,90, BRASS NPT-POLY, 1/8-3/16
9	5000020	1	ELBOW, BRASS NPT-POLY, 1/8-1/4
10	1570009	6	WASHER, SPLIT LOCK, 3/8
11	1510016	6	BOLT, HHCS NC G8 PL, 3/8 X 1 1/2
12	5840069	1	SPRING, COMPRESSION, FL 1.5",OD .54
13	3600090	1	THIMBLE, SCREEN
14	4900106	1	PLUG, STEEL, #5 ORB, HEX (VITON-O)
15	4900035	1	NIPPLE, STEEL STR THRD, 3/4 - 16
16	9200039	1	OIL FILTER, VR 3.250 SHORT
17	4900200	1	CONN, STRAIGHT, #8 MORB X #8 MJIC
18	4900104	1	CONNECTOR, STEEL, #16 ORB - #16 JIC
19	1520646	2	BOLT, HHCS G10.9, M6 X 1 X 10 FL PL
20	5800142	1	COVER, SIGHT GLASS
21	A700061	1	PYREX WINDOW KIT

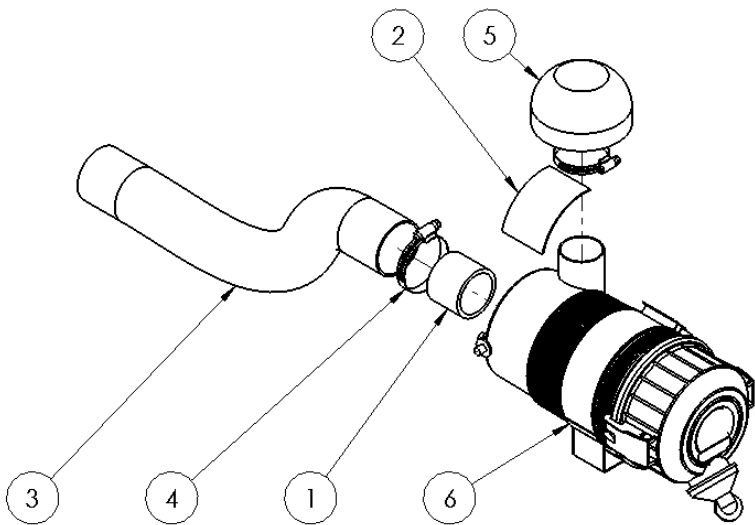


**Figure 7 – VR150 Tank**

## 8. Air Filter Assembly, 4800626

Item #	Part #	Qty	Description
1	1710680	1	HOSE, 1 7/8" X 2"
2	4400979	1	LABEL, AIR CLEANER, HEAVY DUTY
3	1710654	1	HOSE, AIR INTAKE 72" (1700550)
4	2200158	1	CLAMP, HOSE HS40
5	3600114	1	RAIN HAT, AIR CLEANER CYCLONE
6	9500030	1	ASSEMBLY, AIR FILTER

**NOTE: Replacement air filter part #9500061**



**Figure 8 – Air Filter Assembly**

**This page left intentionally blank.**