

# Illustrated Parts List for VMAC System S700169

**VR70, KUBOTA D902**

1. Kit Pack List.....	2
2. Compressor Assembly, P120152 .....	4
3. Cooler Assembly, 4800633 .....	6
4. Aftercooler Assembly, 4800635 .....	7
5. Filter Assembly, 4800634.....	8

NOTE: drawings are not to scale.

Document 1930288

## Changes and Revisions

Revision	Revision Details	Revised by	Checked by				Implemented
			Eng.		Tech.	Qual.	
			Mech.	Elec.			
A	ECN-16-054	LDF	RAR	N/A	RD	AMG	14 Jun 2016
B	ECN 16-080	RAR	JKR	N/A	RD	AMG	21 Jul 2016
C	ECN-17-217	BG	PID	N/A	RD	AWG	28 May 2018

**VMAC – Vehicle Mounted Air Compressors**

Toll Free: 1-800-738-8622

Local: 1-250-740-3200

Fax: 1-250-740-3201

## 1. Kit Pack List

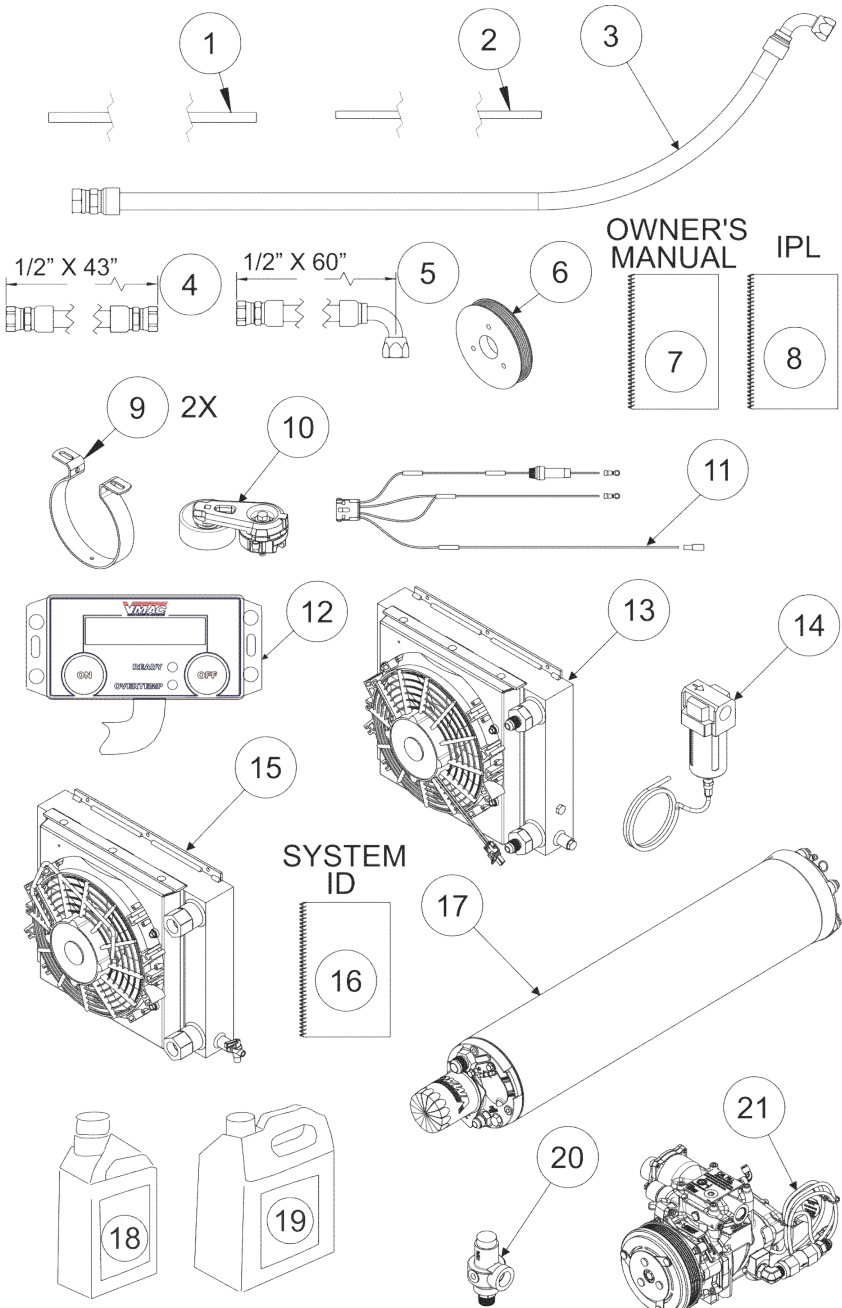
Item #	Part #	Qty	Description
1	1700570	136.0"	TUBE, TEFLON, PTFE, 1/4" OD
2	1700571	136.0"	TUBE, TEFLON, PTFE, 3/16" OD X 1/8" ID
3	1710836	1	HOSE, ASSEMBLY, 49.0"
4	1750043	1	HOSE, CRIMPED, 1/2" X 43"
5	1752060	1	HOSE, CRIMPED, 1/2" X 60"
6	1800241	1	PULLEY, CRANK, HIGH ALT
7	1930060	1	MANUAL, OWNERS GENERIC, VR70 & 150
8	1930288	1	ILLUSTRATED PARTS LIST, S700169
9	2200105	2	CLAMP, MOUNTING BRACKET C, 6
10	3300036	1	TENSIONER 7C3Z-6B209-D
11	3550868	1	INTERFACE CABLE, S700169
12	3550869	1	CONTROL BOX, NO LOW BATTERY
13	4800633	1	ASSEMBLY, COOLER, S700169
14	4800634	1	ASSEMBLY, FILTER, S700169
15	4800635	1	ASSEMBLY, AFTERCOOLER, S700169
16	4800637	1	SYS ID & OP INSTR, S700169
17	9200430	1	TANK, VR70 DRESSED INT OIL FILTER
18	A700091	1	OIL, VR, 1L, HIGH PERFORMANCE
19	A700094	1	OIL, VR, 4L, HIGH PERFORMANCE
20	A700196	1	KIT, 60 PSI MPCV W/ 1/8 NPT PORT
21	P120152	1	ASSEMBLY, COMPRESSOR, S700169

**VMAC – Vehicle Mounted Air Compressors**

Toll Free: 1-800-738-8622

Local: 1-250-740-3200

Fax: 1-250-740-3201



**Figure 1 - Kit Pack List**

**VMAC – Vehicle Mounted Air Compressors**

Toll Free: 1-800-738-8622

Local: 1-250-740-3200

Fax: 1-250-740-3201

## 2. Compressor Assembly, P120152

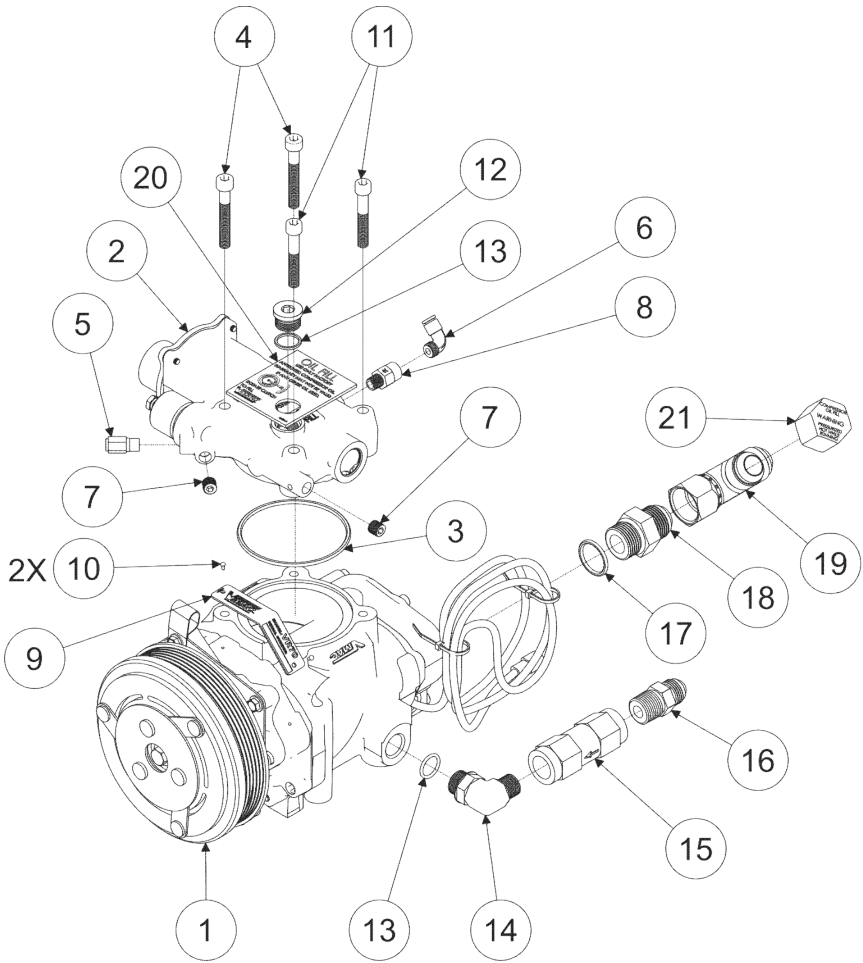
Item #	Part #	Qty	Description
1	P120125	1	ASSEMBLY, COMPRESSOR
2	9200515	1	INLET VALVE, NO LOCTITE
3	5830004	1	O-RING, VITON, 3 1/8 ID X 1/8
4	1540530	2	BOLT, SHCS, M8 X 1.25 X 55, G12.9 PLT
5	5000162	1	CONNECT, BRASS NPT-POLY, 3/16-1/8 NPT
6	5000020	1	ELBOW, BRASS NPT-POLY, 1/8-1/4
7	4300076	2	PIPE FTG, PLUG SKT HEAD, 1/8
8	3600123	1	VALVE, CHECK, 1/8 NPT
9	4400295	1	LABEL, VR70 NAME PLATE
10	1500355	2	SCREW, LONG U DRIVE, 2 - 3/16
11	1540550	2	BOLT, SHCS, M8 X 1.25 X 50, G12.9 PLT
12	4900045	1	PLUG, STEEL HEX SAE/O-RING PORT
13	5830132	2	O-RING, VITON, #8 ORB
14	4900161	1	ELBOW, STEEL, 90, ORB-NPT, #8-1/2"
15	4500132	1	VALVE, CHECK, 1/2, CRACK 5PSI
16	4900016	1	CONNECTOR, STEEL NPT-TUBE, 1/2-1/2
17	5830133	1	O-RING, VITON, #12
18	4900128	1	FITTING, 12ORB -12JIC, STEEL
19	4900162	1	TEE, RUN, STEEL #12JIC
20	4400411	1	LABEL, OIL WARRANTY TAG
21	4900164	1	FITTING, MODIFIED
22	P200035	1	CLUTCH, COMPLETE 6 GROOVE
23	3550682	1	PROBE. ASSY, THERMISTOR, SHORT

**VMAC – Vehicle Mounted Air Compressors**

Toll Free: 1-800-738-8622

Local: 1-250-740-3200

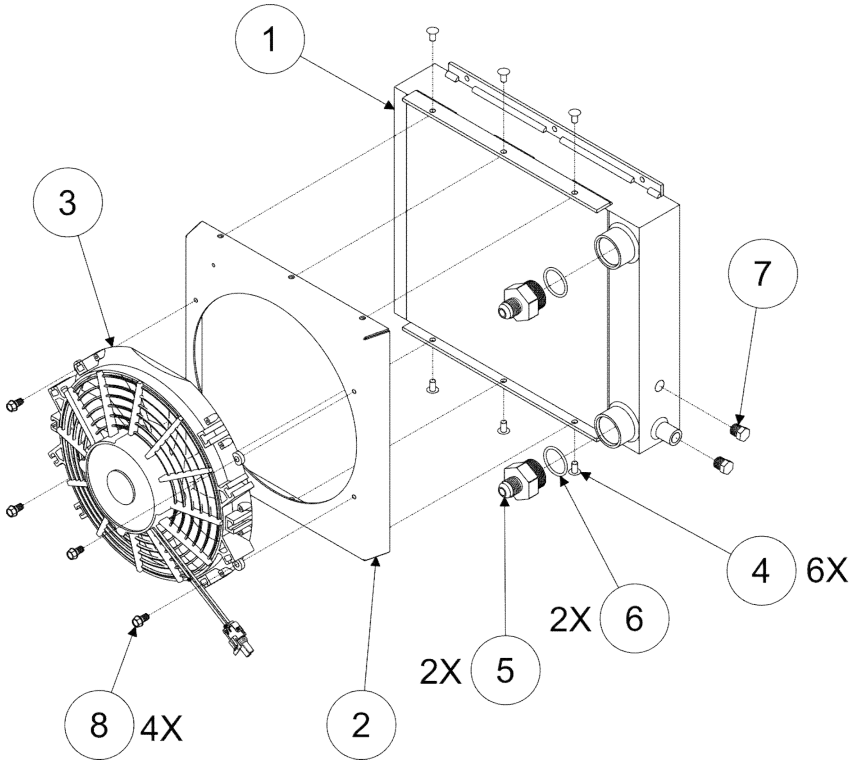
Fax: 1-250-740-3201



**Figure 2 –Compressor Assembly (P120152)**

### 3. Cooler Assembly, 4800633

Item #	Part #	Qty	Description
1	3600124	1	COOLER, #16 ORB PORTS
2	6000384	1	SHROUD, FAN, AIR DRYER
3	3550910	1	FAN, ASSEMBLY, MODIFIED
4	1500595	6	RIVET, ALU, STANDARD, BLIND 1/4"
5	4900145	2	FITTING, #16 ORB MALE X #8 JIC MALE
6	5830116	2	O-RING, VITON, ORB -16
7	5000169	1	PLUG, HEX HEAD, 1/4 NPT
8	1510543	4	BOLT, HHCS NC SS FL 1/4 X 1/2



**Figure 3 – Cooler Assembly**

**VMAC – Vehicle Mounted Air Compressors**

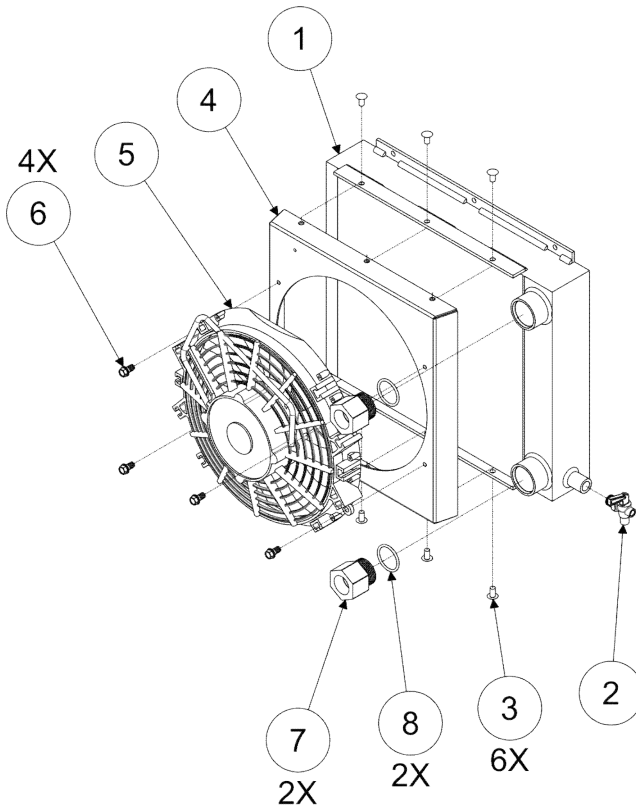
Toll Free: 1-800-738-8622

Local: 1-250-740-3200

Fax: 1-250-740-3201

#### 4. Aftercooler Assembly, 4800635

Item #	Part #	Qty	Description
1	3600124	1	COOLER, #16 ORB PORTS
2	5000168	1	VALVE, MANUAL DRAIN
3	1500595	6	RIVET, ALU, STANDARD, BLIND 1/4"
4	6000384	1	SHROUD, FAN, AIR DRYER
5	3500889	1	ASSEMBLY, FAN, 10"
6	1510543	4	BOLT, HHCS NC SS FL 1/4 X 1/2
7	4900113	2	CONN, STEEL, #16 ORB - 3/4" NPTF
8	5830116	2	O-RING, VITON, ORB-16



**Figure 4 – Aftercooler Assembly**

**VMAC – Vehicle Mounted Air Compressors**

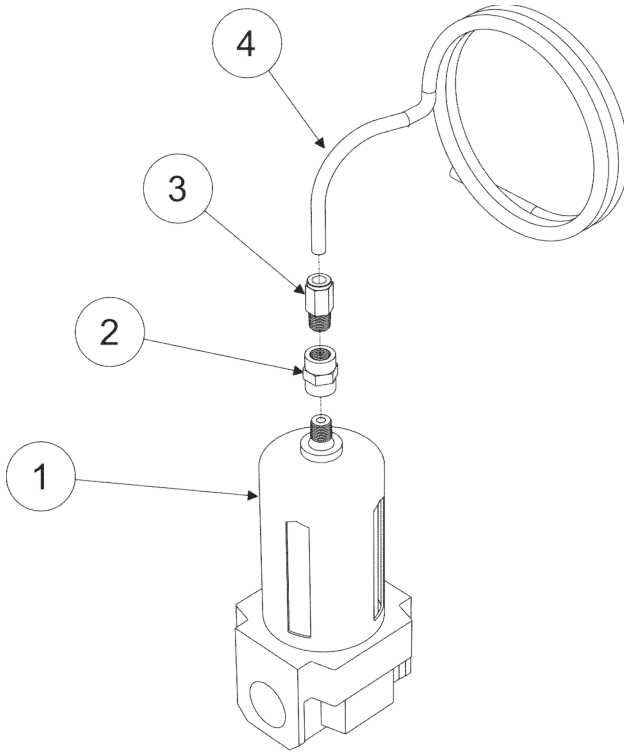
Toll Free: 1-800-738-8622

Local: 1-250-740-3200

Fax: 1-250-740-3201

## 5. Filter Assembly, 4800634

Item #	Part #	Qty	Description
1	3600119	1	FILTER, GENERAL PURPOSE
2	5000096	1	CONNECTOR, BRASS COUPLING, 1/8
3	5000012	1	CONNECTOR, BRASS NPT-POLY, 1/8-1/4
4	1700055	36.0"	HOSE, BRAKE BLACK, 1/4



**Figure 5 – Filter Assembly**

**VMAC – Vehicle Mounted Air Compressors**

Toll Free: 1-800-738-8622

Local: 1-250-740-3200

Fax: 1-250-740-3201