

Illustrated Parts List for VMAC System S700174

John Deere 6068 VR70

1.	Kit Pack List	2
2.	Fastener Pack, 3801068.....	4
3.	Compressor Assembly, P120170	6
4.	Inlet Valve Sub Components, 9200509	8
5.	Main Bracket Assembly, 4800648	10
6.	VR Tank, 9200430.....	12
7.	Cooler Assembly, 4800712.....	14

NOTE: Drawings are not to scale

Document 1930269 Changes and Revisions

Rev	Revision Details	Revised by/date	Approved by/date	Implemented
A	ENGINEERING RELEASE	RR 06OCT2015	AP/GB 20 Oct 2015	20 Oct 2015
B	ECN 15-119	RAR 21Oct2015	RF/CH 26 Oct 2015	26 Oct 2015
C	ECN 15-124	RAR 24Nov2015	RF/CH 26 Nov 2015	14 Dec 2015
D	ECN 16-001	RAR 05Jan2016	AH/PD 07 Jan 2016	22 Jan 2016

VMAC – Vehicle Mounted Air Compressors

Toll Free: 1-800-738-8622 Local: 1-250-740-3200

Fax: 1-250-740-3201

Page 1 of 14

1. Kit Pack List

Item #	Part #	QTY	Description
1	1620359	1	BELT, K060529
2	1710864	1	HOSE, CRIMPED, ½" X 89", 90DEG
3	1752060	1	HOSE, CRIMPED, ½" X 60"
4	1772075	1	HOSE, CRIMPED, ¾" X 75"
5	1800224	1	PULLEY, S700170
6	4800648	1	ASSEMBLY, MAIN BRACKET, S700170
7	A700091	1	OIL, VR, 1, HIGH PERFORMANCE
8	A700094	1	OIL, VR, 4L, HIGH PERFORMANCE
9	3801068	1	FASTENER PACK, S700174
10	1930060	1	MANUAL, OWNERS GENERIC, VR70& VR150
11	1930270	1	MANUAL, INSTALLATION, S700174
12	4800704	1	SYS ID & OP INST, S700174
13	3550857	1	CABLE, INTERFACE
14	3550877	1	VR CONTROL BOX, GT150 TEMP
15	1930269	1	ILLUSTRATED PARTS LIST, S700174
16	P120170	1	ASSEMBLY, COMPRESSOR
17	4800712	1	ASSEMBLY, COOLER
18	9200430	1	TANK, VR70 DRESSED INT OIL FILTER
19	2200105	2	CLAMP, MOUNTING BRACKET C, 6
20	9500030	1	ASSEMBLY, AIR FILTER
21	3550927	1	WIRE KIT, EXTENSION, GT150

VMAC – Vehicle Mounted Air Compressors

Toll Free: 1-800-738-8622 Local: 1-250-740-3200

Fax: 1-250-740-3201

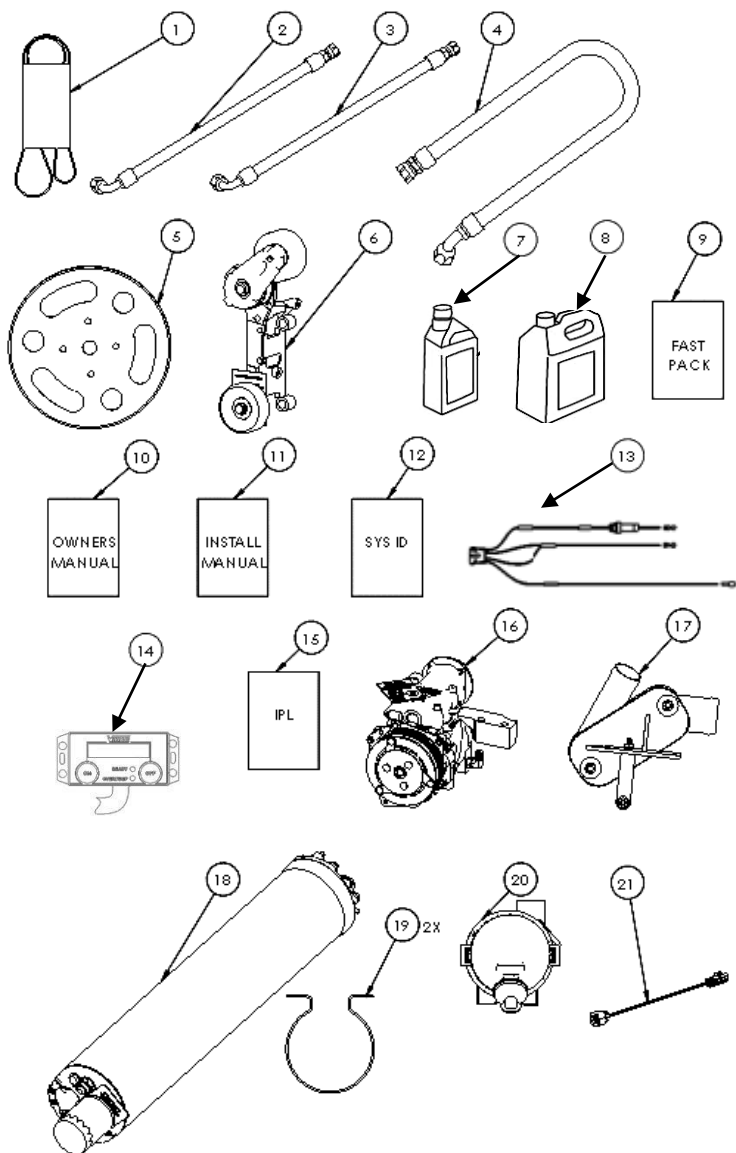


Figure 1 - Kit Pack List

VMAC – Vehicle Mounted Air Compressors

Toll Free: 1-800-738-8622 Local: 1-250-740-3200

Fax: 1-250-740-3201

2. Fastener Pack, 3801068

Item #	QTY	Part #	Description
1	1	3801075	FAST PACK, AIR FILTER
1.1	1	4400979	LABEL, AIR CLEANER, HEAVY DUTY
1.2	36.0	1700550	HOSE, FLEXIBLE, AIR INTAKE 2.5"
1.3	3	2200158	CLAMP, HOSE HS40
1.4	1	3600114	RAIN HAT, AIR CLEANER CYCLONE
1.5	1	1720690	TUBE, 2.5" CONNECTOR
1.6	1	1700625	ELBOW, RUBBER, 2.5 ID
2	1	3801069	FASTENER PACK, TEFLON HOSE
2.1	50.0	1700571	TUBE, TEFLON,PTFE, 3/16"OD X 1/8"ID
2.2	50.0	1700570	TUBE, TEFLON, PTFE,1/4"OD
2.3	48.0	1700581	LOOM, SPLIT PLASTIC, 1/4, HIGH TEMP
2.4	48.0	1700581	LOOM, SPLIT PLASTIC, 1/4, HIGH TEMP
2.5	15	2200039	TIE, NYLON MD, 7"
3	1	3801076	FAST PACK, RAD HOSES
3.1	4.5	1700649	HOSE, COOLANT, 2.5"
3.2	1	1710865	HOSE, MODIFIED, 2"
3.3	2	2200242	CLAMP, HOSE, HS44
3.4	2	2200027	CLAMP, HOSE HS32
4	1	3800924	FASTENER PACK, AOST
4.1	1	4900047	ELBOW, STEEL JIC, 90DEG, ½-1/2
5	1	3801078	FAST PACK, CRANK PULLEY
5.1	4	1520563	BOLT, HHCS FL PL G8.8 M10 X 1.50 X 25
6	1	3801077	FASTENER PACK, MAIN BRACKET
6.1	1	1540494	BOLT, SHCS, M8 X 1.25 X 90, G12.9
6.2	1	1540495	BOLT, SHCS, M8 X 1.25 X 100, G12.9
6.3	2	1520636	BOLT, HHCS, G8.8, M16 X 2.0 X 50
6.4	2	1520627	BOLT, HHCS, FL LK PL, M8 X 1.25 X 20
6.5	1	1200840	BRACKET, FASTENER BRACE
6.6	2	1520644	BOLT,HHCS,FL,G10.9, M12 X 1.75 X 70
6.7	1	4800697	ASSEMBLY, MODIFIED T
7	1	3801079	FAST PACK, COOLER
7.1	2	1520571	BOLT,HHCS FLHD PL, M10 X 1.5 X 30
7.2	2	1560512	NUT, FLANGE PL, M10 X 1.5
8	1	3800948	FAST PACK, MIN PRESSURE CHECK VALVE
8.1	1	3600152	VALVE, 60 PSI MIN PRESSURE CHECK
8.2	1	5000155	NIPPLE, BRASS, HEX, 3/4-3/4

VMAC – Vehicle Mounted Air Compressors

Toll Free: 1-800-738-8622 Local: 1-250-740-3200

Fax: 1-250-740-3201

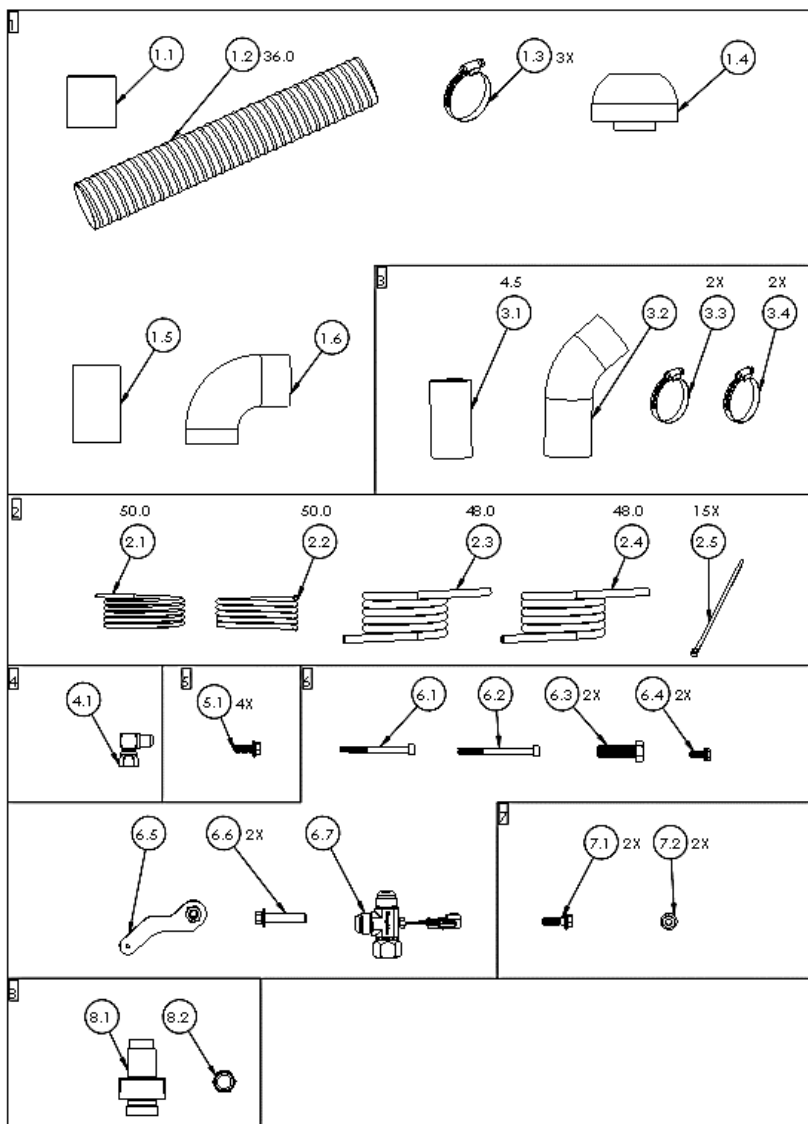


Figure 2 – Fastener Pack

3. Compressor Assembly, P120170

Item #	QTY	Part #	Description
1	1	4400295	LABEL, VR70 NAME PLATE
2	2	1500355	SCREW, LONG U DRIVE, 2 - 3/16
3	1	4900201	ELBOW, STL, #8 MJIC X #6 MORB
4	1	5400579	LOCTITE,567,THREADSEALANT,HIGH TEMP
5	2	1540550	BOLT,SHCS,M8 X 1.25 X 50, G12.9 PLT
6	2	1540530	BOLT,SHCS,M8 X 1.25 X 55, G12.9 PLT
7	2	4300076	PIPE FTG, PLUG SKT HEAD, 1/8
8	1	5000162	CONNECT,BRASS NPT-POLY,3/16-1/8 NPT
9	1	5000020	ELBOW, BRASS NPT-POLY, 1/8-1/4
10	1	P120171	ASSEMBLY, COMPRESSOR
11	1	9200509	ASSEMBLY, INLET VALVE
12	1	5830004	O-RING, VITON, 3 1/8 ID X 1/8

VMAC – Vehicle Mounted Air Compressors

Toll Free: 1-800-738-8622 Local: 1-250-740-3200

Fax: 1-250-740-3201

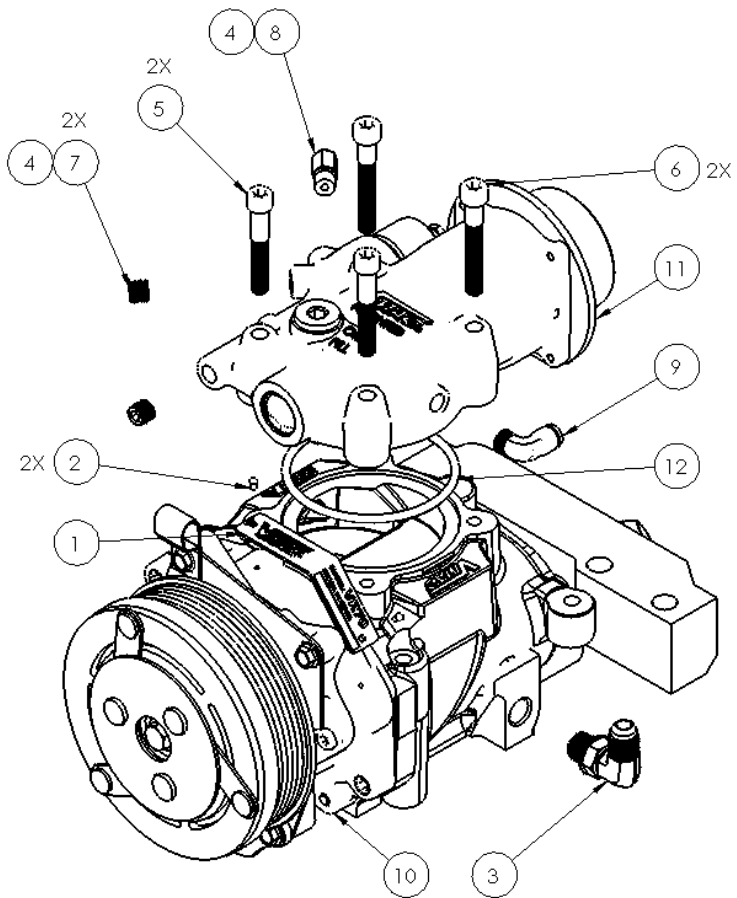


Figure 3 – Compressor Assembly (P120170)

VMAC – Vehicle Mounted Air Compressors

Toll Free: 1-800-738-8622 Local: 1-250-740-3200

Fax: 1-250-740-3201

4. Inlet Valve Sub Components, 9200509

Item #	QTY	Part #	Description
1	1	9200395	INLET VALVE INT. REG. SHORT MACHINED
2	4	1500077	SCREW, BUTTON HEAD, 10-32 X 3/8
3	A/R	5400396	LOCTITE, 242, BLUE
4	1	5830002	O-RING, VITON, 2 3/8 ID X 3/32
5	1	5830129	O-RING, 40D SIL., 1 7/8 ID X 3/16
6	1	A700137	ACCESSORY PACK, REGULATOR ASSEMBLY
7	1	4900045	PLUG, STEEL HEX SAE-O-RING PORT

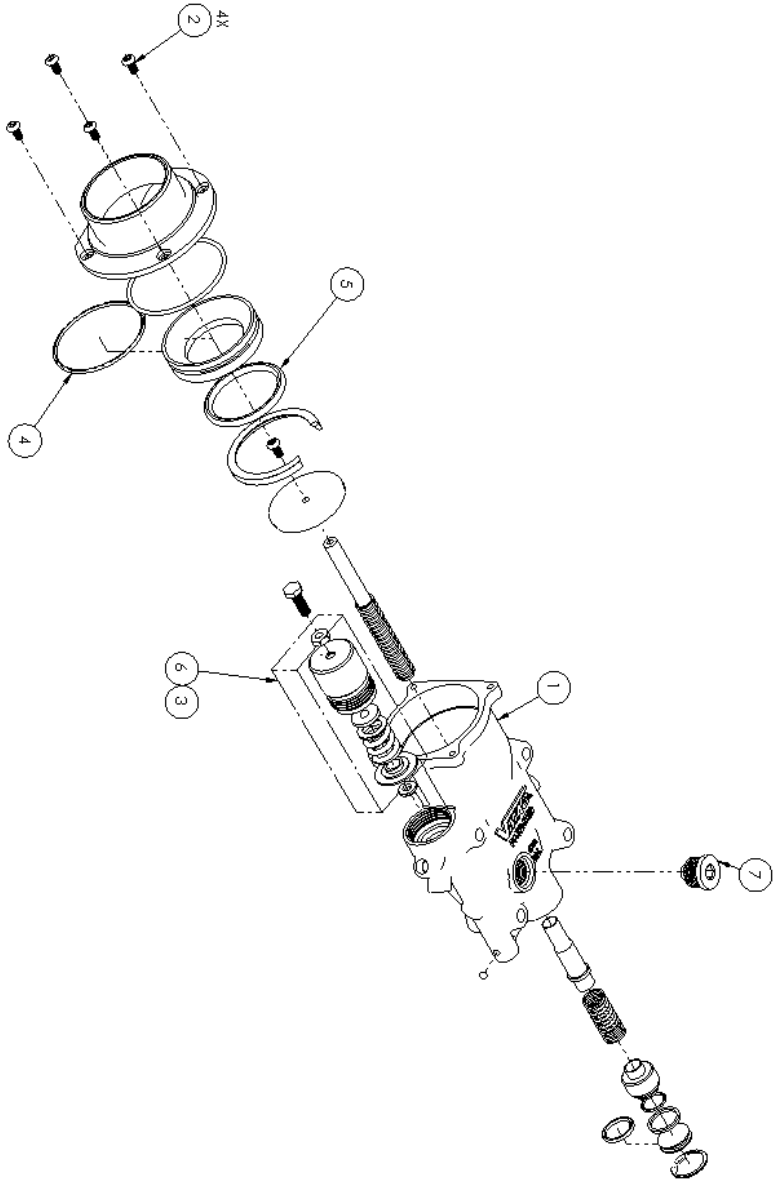


Figure 4 – Inlet Valve Sub Components

5. Main Bracket Assembly, 4800648

Item #	QTY	Part #	Description
1	1	1300031	IDLER, SERP, BACK, FLANGE, 90MM
2	1	2600130	TENSIONER, MODIFIED 3300036
3	1	1520538	BOLT, HHCS, FLHD, M10 X 1.50 X 35
4	1	1100201	BRACKET, S700170, MAIN
5	1	1400309	SPACER, IDLER 10MM BOLT

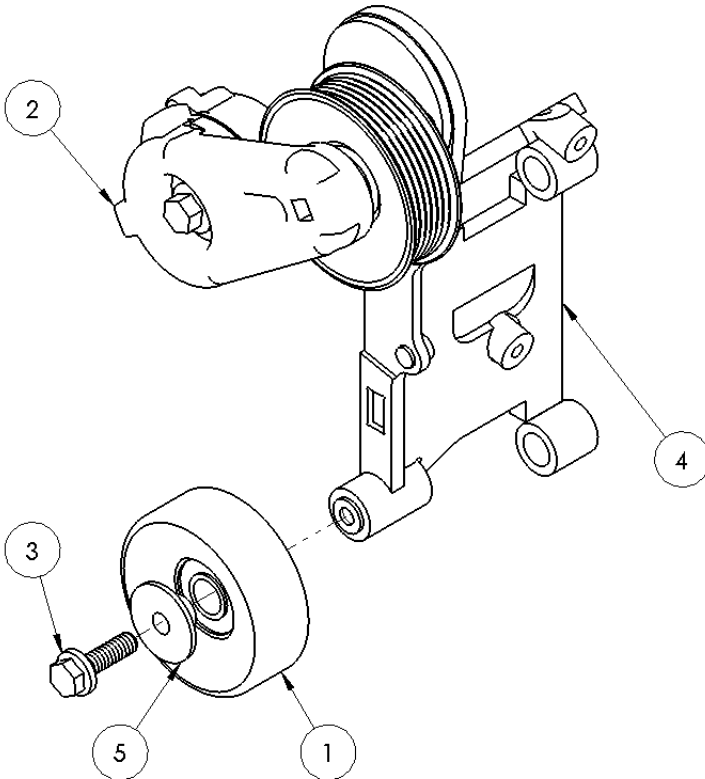


Figure 5 – Main Bracket Assembly

This page left intentionally blank.

6. VR Tank, 9200430

Item #	Part #	Qty	Description
1	1510086	6	BOLT, HHCS NC G5 FL LK, 3/8 X 1
2	1520646	2	BOLT, HHCS M6X1.0X10 FL PL
3	5800142	1	COVER, SIGHT GLASS
4	3600064	1	SEAL, TANK REAR CAP
5	5840069	1	SPRING, COMPRESSION, FL 1.5",OD .54
6	3600090	1	THIMBLE, SCREEN
7	4900128	1	FITTING, 12ORB – 12JIC STEEL
8	4900035	1	NIPPLE, STEEL STR THRD, 3/4 - 16
9	4900106	1	PLUG, STEEL, #5 ORB, HEX (VITON-O)
10	5000020	1	ELBOW, BRASS NPT-POLY, 1/8-1/4"
11	4900200	1	CONN, STRAIGHT, #8 MORB X #8 MJIC
12	5000165	1	ELBOW,90, BRASS NPT-POLY, 1/8-3/16"
13	5000160	1	ADAPTER, BRASS, 1/8-1/8 NPT
14	3600036	1	ELEMENT, SEP, COALESCING
15	5830066	1	O-RING, VITON, 4 3/4 ID X 1/8
16	9200039	1	OIL FILTER, VR 3.250 SHORT
17	9200437	1	ASSEMBLY, BLOWDOWN CAP
17.1	3600054	1	VALVE, SAFETY, 200 PSI
17.2	4500104	1	MUFFLER, SINTERED EXHAUST, 1/8"
18	9200378	1	TANK, OIL SEPARATOR
19	A700061	1	SIGHT GLASS ASSEMBLY
20	5830133	1	O-RING, VITON, #12

VMAC – Vehicle Mounted Air Compressors

Toll Free: 1-800-738-8622 Local: 1-250-740-3200

Fax: 1-250-740-3201

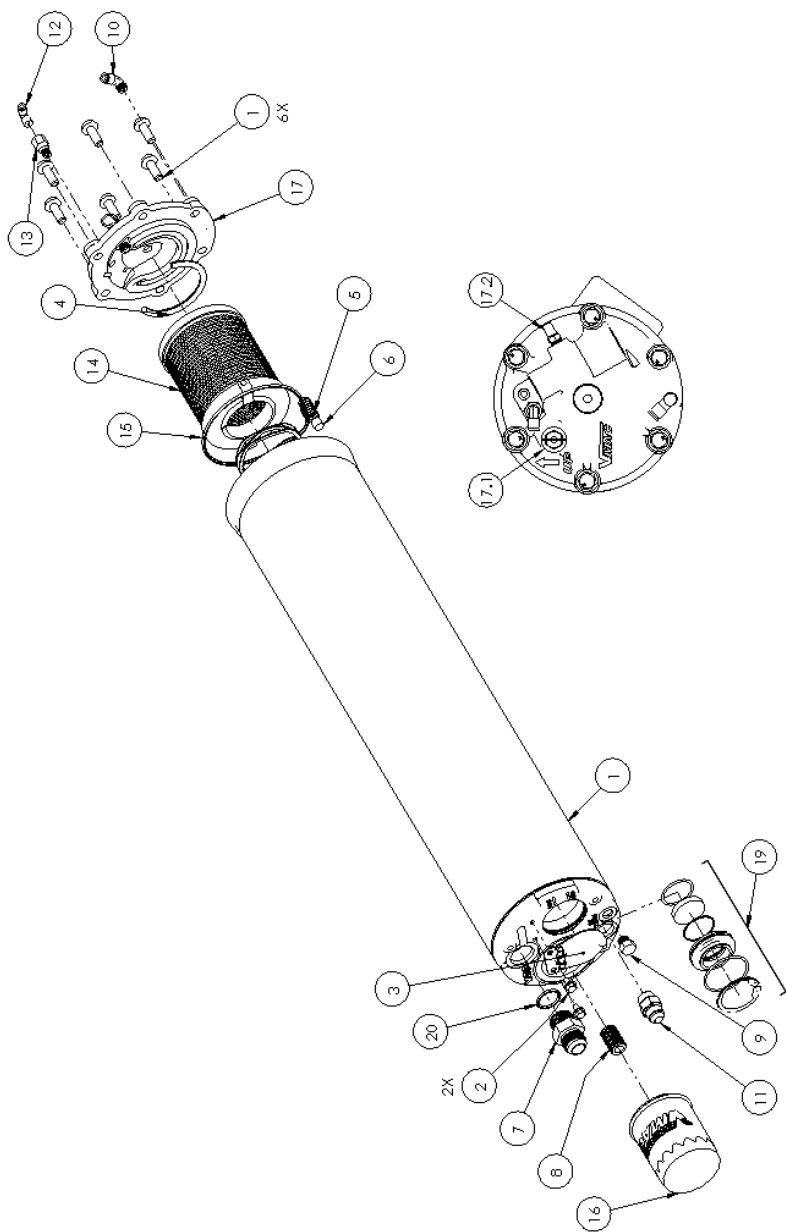


Figure 6 – VR Tank

VMAC – Vehicle Mounted Air Compressors

Toll Free: 1-800-738-8622 Local: 1-250-740-3200

Fax: 1-250-740-3201

7. Cooler Assembly, 4800712

Item #	QTY	Part #	Description
1	1	9200543	WELDMENT, COOLER
2	1	1200864	ASSEMBLY, BRACE
3	2	1560512	NUT, FLANGE PL, M10 X 1.5

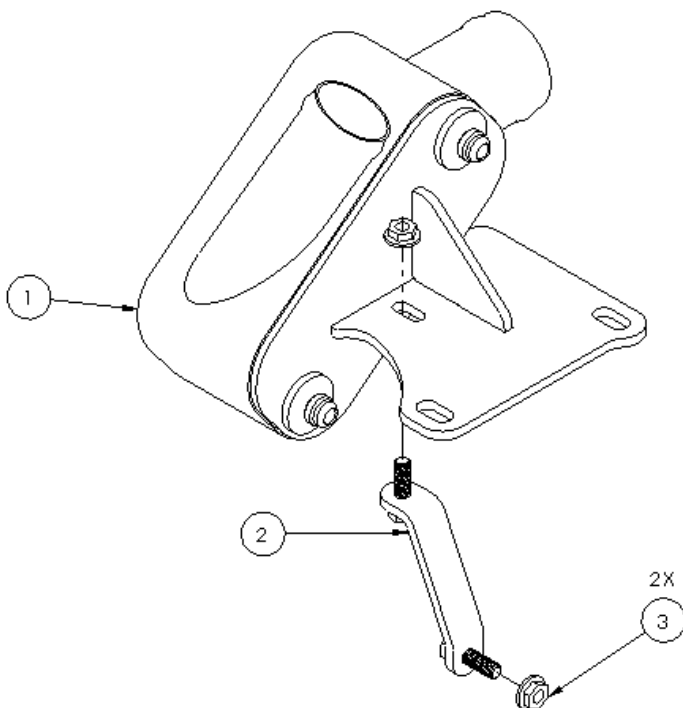


Figure 7 – Cooler Assembly