

Illustrated Parts List for VMAC System S700175

Cummins QSB 6.7

1.	Kit Pack List	2
2.	Fastener Pack, 3801086.....	4
3.	Compressor Assembly, P120174	8
4.	Inlet Valve Sub Components, 9200509	10
5.	Main Bracket Assembly, 4800715	12
6.	VR Tank, 9200430.....	14

NOTE: Drawings are not to scale

Document 1930273 Changes and Revisions

Revision	Revision Details	Revised by	Checked by				Implemented
			Eng.		Tech.	Qual.	
			Mech.	Elec.			
A	ENGINEERING RELEASE	RAR	CJH	AJH	RD	AMG	28 Jan 2016

1. Kit Pack List

Item #	Part #	Qty	Description
1	1610083	1	BELT, K060490
2	1752050	1	HOSE, CRIMPED, ½" X 50"
3	1752094	1	HOSE, CRIMPED, ½" X 94"
4	1772068	1	HOSE, CRIMPED, ¾" X 68"
5	1800240	1	PULLEY, CUMMINS QSB6.7
6	4800715	1	ASSEMBLY, MAIN BRACKET
7	A700094	1	OIL, VR, 4L, HIGH PERFORMANCE
8	A700091	1	OIL, VR, 1L, HIGH PERFORMANCE
9	3801086	1	FASTENER PACK, S700175
10	1930065	1	MANUAL, OWNERS, SPECIALTY
11	1930274	1	MANUAL, INSTALLATION, S700175
12	1930273	1	ILLUSTRATED PARTS LIST, S700175
13	4800716	1	SYS ID & INST, S700175
14	3550886	1	VR CONTROL BOX, 500/1000 SERVICE
15	3550857	1	CABLE, INTERFACE
16	P120174	1	ASSEMBLY, COMPRESSOR
17	9200549	1	WELDMENT, COOLER
18	9200430	1	TANK, VR70 DRESSED INT OIL FILTER
19	2200105	2	CLAMP, MOUNTING BRACKET C, 6
20	9500030	1	ASSEMBLY, AIR FILTER

VMAC – Vehicle Mounted Air Compressors

Toll Free: 1-800-738-8622 Local: 1-250-740-3200

Fax: 1-250-740-3201

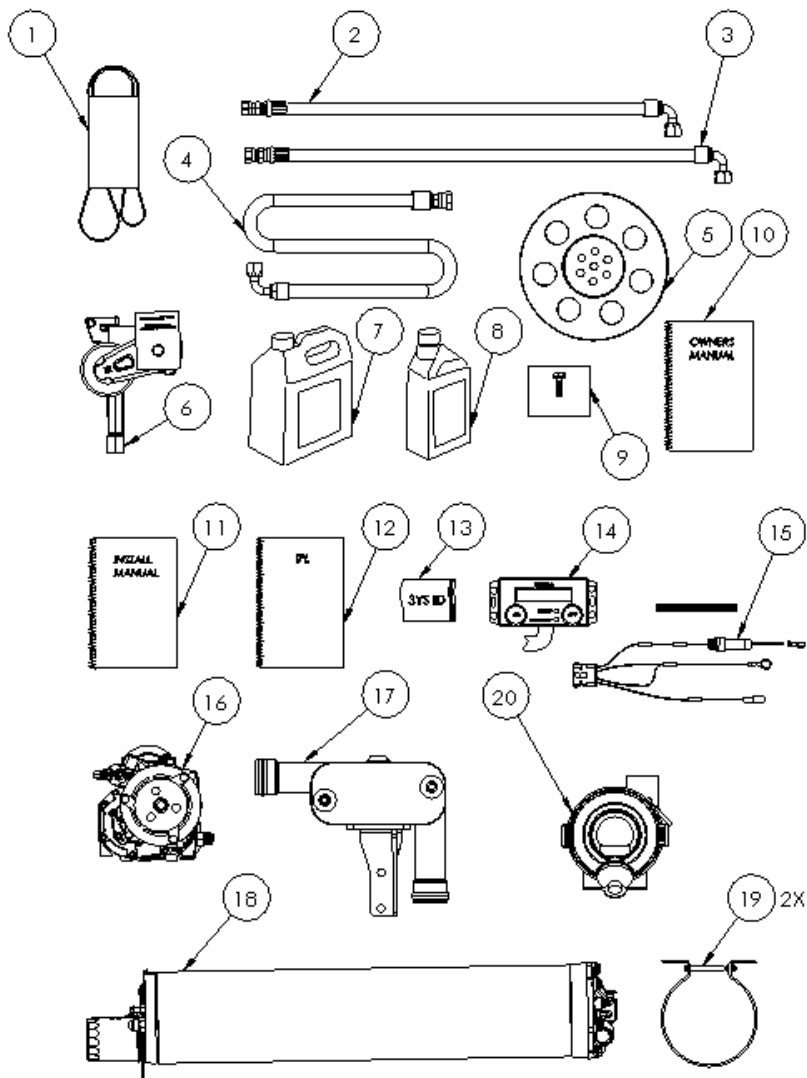


Figure 1 - Kit Pack List

VMAC – Vehicle Mounted Air Compressors

Toll Free: 1-800-738-8622 Local: 1-250-740-3200

Fax: 1-250-740-3201

2. Fastener Pack, 3801086

Item #	Part #	Qty	Description
1	3801087	1	FAST PACK, COOLER
1.1	1520624	2	BOLT, HHCS FL, LK, PL M12 X 1.75 X 30
2	3801000	1	FASTENER PACK, AIR END
2.1	1540521	3	BOLT, SHCS, PL, M8 X 1.25 X 110
2.2	1540526	1	BOLT, SHCS, M8 X 1.25 X 20
2.3	1540572	3	BOLT, HHCS, FL BP, M12 X1.75 X45 G10.
2.4	4900036	1	ELBOW, STEEL JIC SWIVEL 45, 3/4
3	3800924	1	FASTENER PACK, AOST
3.1	4900047	1	ELBOW, STEEL JIC, 90DEG, ½-1/2
4	3801098	1	FAST PACK, OIL FILL
4.1	4900077	1	CAP, STEEL JIC, 1/2
4.2	4900203	1	CONN, STEEL, 90, #8 MJIX - #8 MORB
5	3800948	1	FAST PACK, MIN PRESSURE CHECK
5.1	5000155	1	NIPPLE, BRASS, HEX, 3/4-3/4
5.2	3600152	1	VALVE, 60 PSI MIN PRESSURE CHECK
6	3801069	1	FASTENER PACK, TEFLON HOSE
6.1	1700571	50.0	TUBE, TEFLON, PTFE, 3/16"OD X 1/8"ID
6.2	1700570	50.0	TUBE, TEFLON, PTFE, 1/4"OD
6.3	1700581	48.0	LOOM, SPLIT PLASTIC, 1/4, HIGH TEMP
6.4	1700581	48.0	LOOM, SPLIT PLASTIC, 1/4, HIGH TEMP
6.5	2200039	15	TIE, NYLON MD, 7"
7	3801075	1	FAST PACK, AIR FILTER
7.1	1700550	36.0	HOSE, FLEXIBLE, AIR INTAKE 2.5"
7.2	1700625	1	ELBOW, RUBBER, 2.5 ID
7.3	1720690	1	TUBE, 2.5" CONNECTOR
7.4	2200158	3	CLAMP, HOSE HS40
7.5	3600114	1	RAIN HAT, AIR CLEANER CYCLONE
7.6	4400979	1	LABEL, AIR CLEANER, HEAVY DUTY

VMAC – Vehicle Mounted Air Compressors

Toll Free: 1-800-738-8622 Local: 1-250-740-3200

Fax: 1-250-740-3201

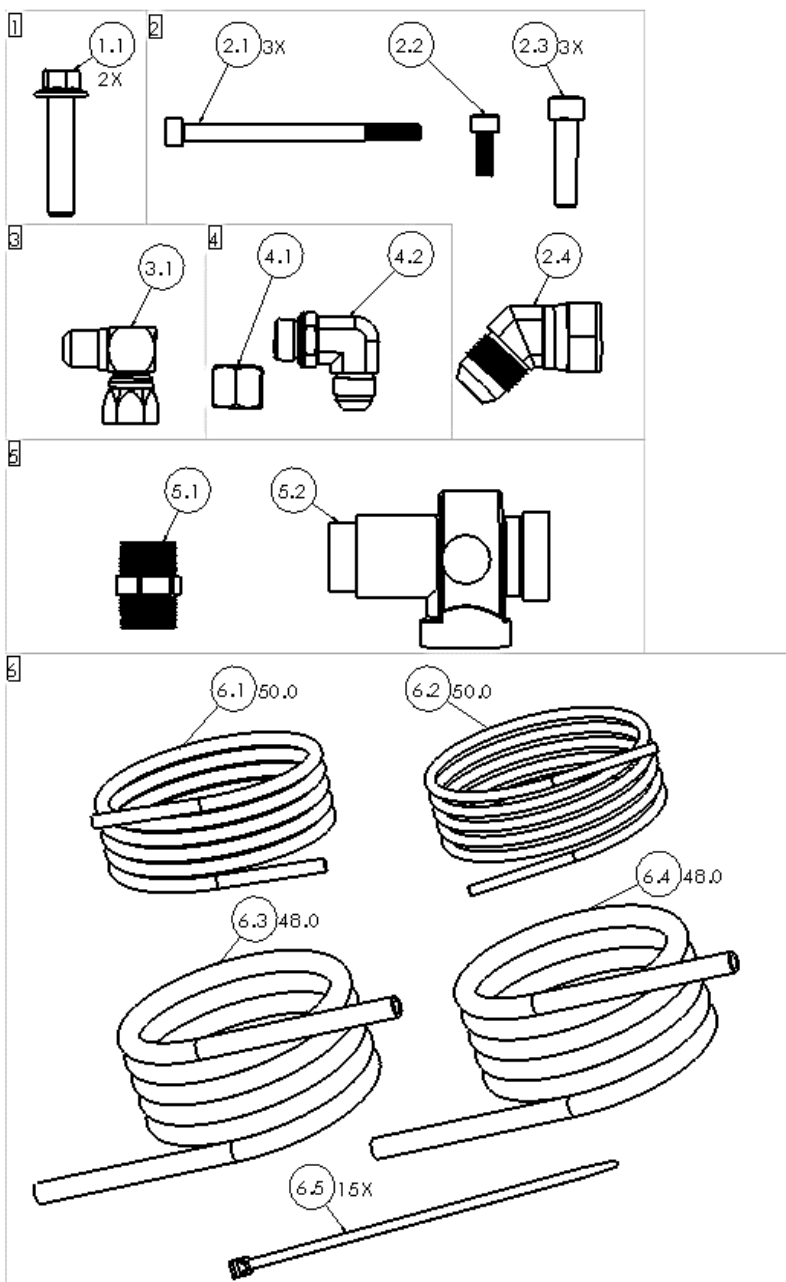


Figure 2 – Fastener Pack

VMAC – Vehicle Mounted Air Compressors

Toll Free: 1-800-738-8622 Local: 1-250-740-3200

Fax: 1-250-740-3201

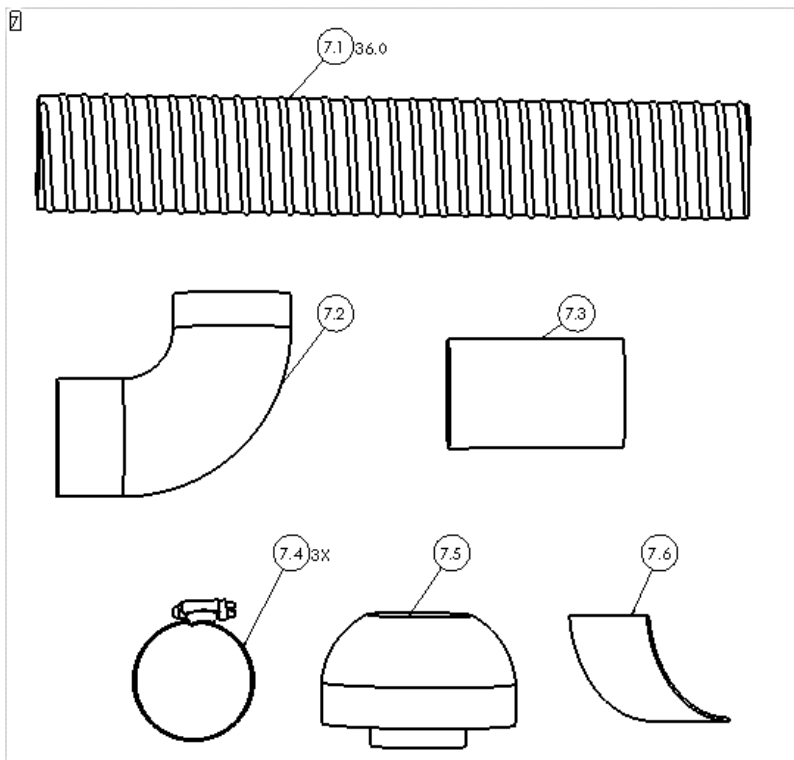


Figure 3 – Fastener Pack (cont'd)

This page left intentionally blank.

3. Compressor Assembly, P120174

Item #	Part #	Qty	Description
1	P120163	1	VR70 COMPRESSOR ASSEMBLY
2	4400295	1	LABEL, VR70 NAME PLATE
3	1540550	2	BOLT, SHCS, M8 X 1.25 X 50, G12.9 PLT
4	1540530	2	BOLT, SHCS, M8 X 1.25 X 55, G12.9 PLT
5	5830004	1	O-RING, VITON, 3 1/8 ID X 1/8
6	1500355	2	SCREW, LONG U DRIVE, 2-3/16
7	5830132	1	O-RING, VITON, #8 ORB
8	5000020	1	ELBOW, BRASS NPT-POLY, 1/8-1/4
9	9200509	1	ASSEMBLY, INLET VALVE
10	4900046	1	CONN, STL, 3/4-16 O-RING TO 1/2 TUBE
11	4300076	2	PIPE FTG, PLUG SKT HEAD, 1/8
12	5000162	1	CONNECT, BRASS NPT-POLY, 3/16-1/8 NPT
13	P200044	1	CLUTCH, COMPLETE, 6 GROOVE, 5.12

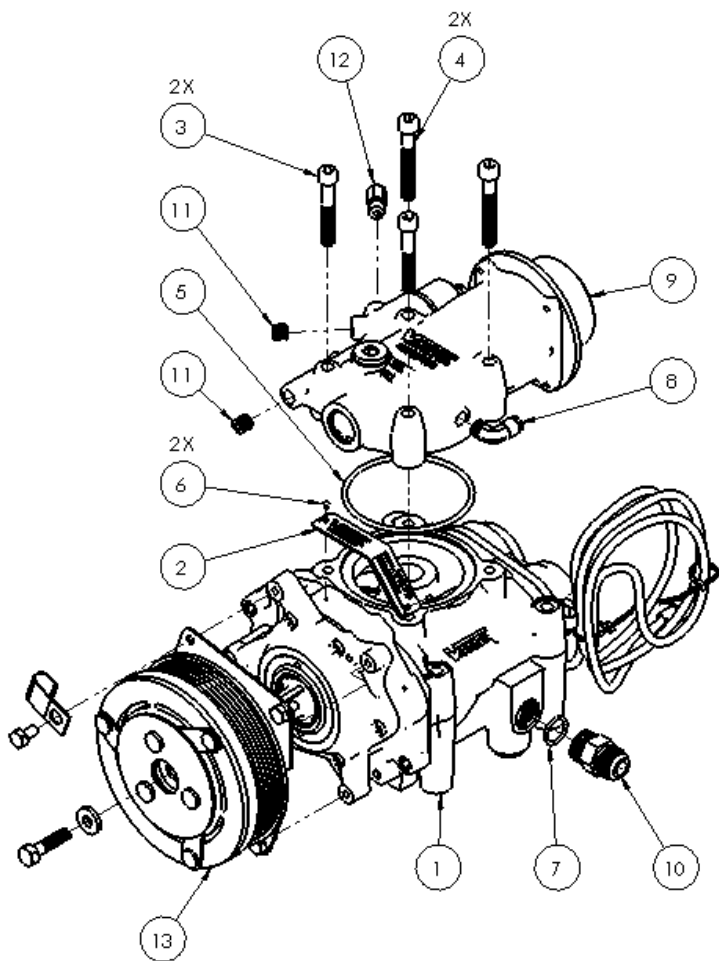


Figure 4 – Compressor Assembly (P120174)

VMAC – Vehicle Mounted Air Compressors

Toll Free: 1-800-738-8622 Local: 1-250-740-3200

Fax: 1-250-740-3201

4. Inlet Valve Sub Components, 9200509

Item #	Part #	Qty	Description
1	9200395	1	INLET VALVE INT. REG. SHORT MACHINED
2	1500077	4	SCREW, BUTTON HEAD, 10-32 X 3/8
3	5400396	A/R	LOCTITE, 242, BLUE
4	5830002	1	O-RING, VITON, 2 3/8 ID X 3/32
5	5830129	1	O-RING, 40D SIL., 1 7/8 ID X 3/16
6	A700137	1	ACCESSORY PACK, REGULATOR ASSEMBLY
7	4900045	1	PLUG, STEEL HEX SAE-O-RING PORT

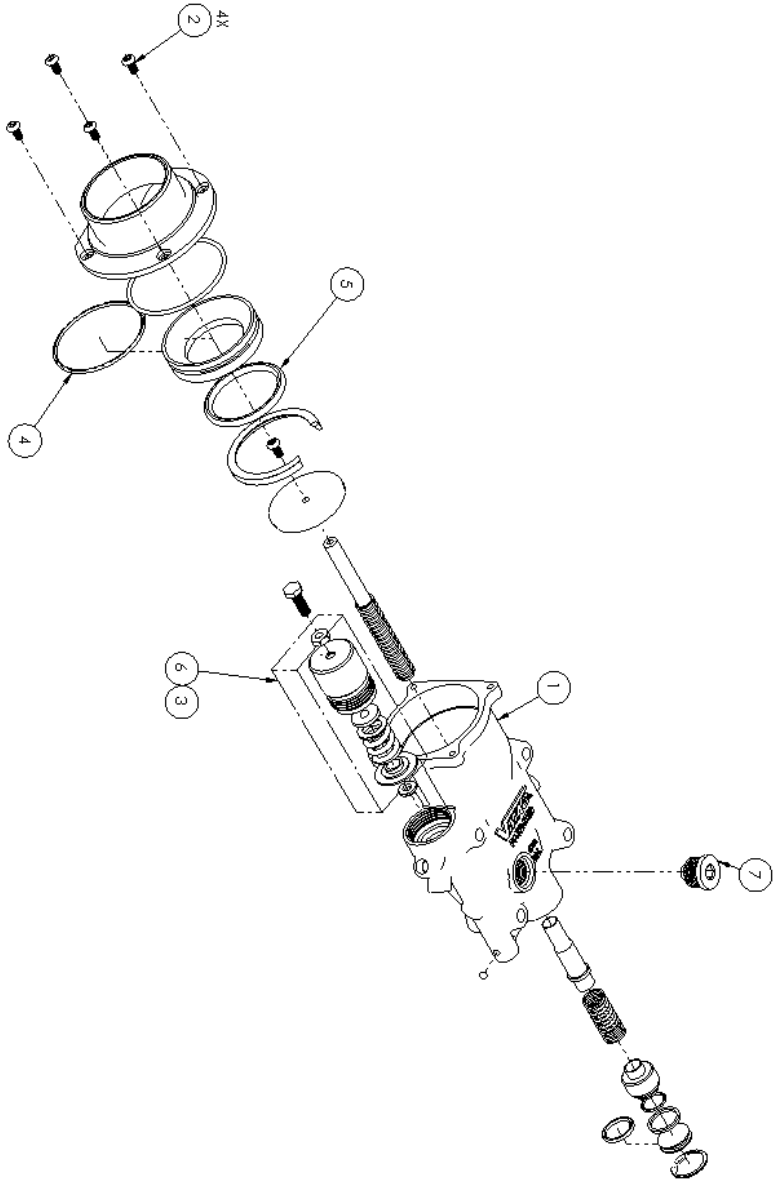


Figure 5 – Inlet Valve Sub Components

5. Main Bracket Assembly, 4800715

Item #	Part #	Qty	Description
1	3300036	1	TENSIONER 7C3Z-6B209-D
2	1100222	1	BRACKET, CUMMINS, QSB6.7

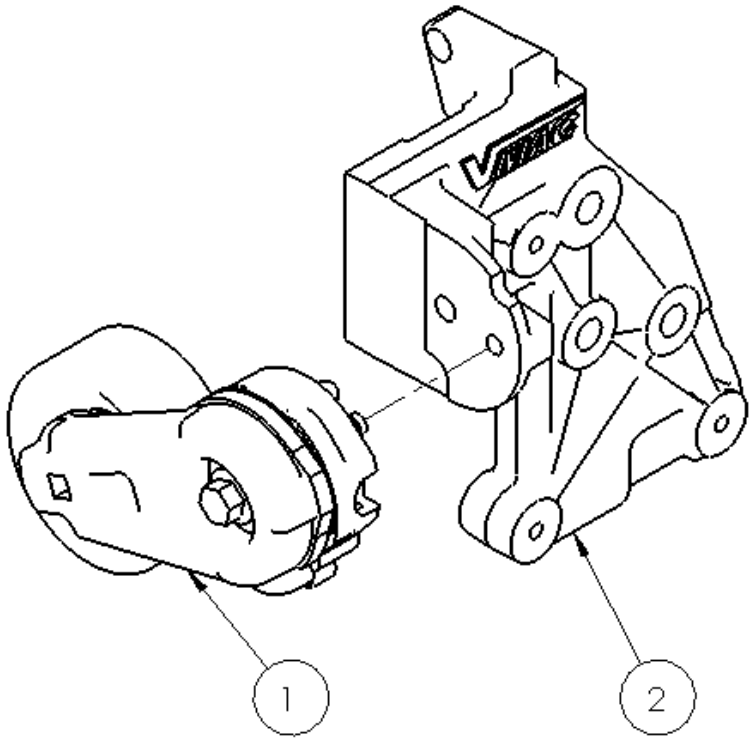


Figure 6 – Main Bracket Assembly

This page left intentionally blank.

6. VR Tank, 9200430

Item #	Part #	Qty	Description
1	9200378	1	TANK, OIL SEPARATOR
2	1520646	2	BOLT, HHCS M6X1.0X10 FL PL
3	5800142	1	COVER, SIGHT GLASS
4	3600064	1	SEAL, TANK REAR CAP
5	5840069	1	SPRING, COMPRESSION, FL 1.5",OD .54
6	3600090	1	THIMBLE, SCREEN
7	4900128	1	FITTING, 12ORB – 12JIC STEEL
8	4900035	1	NIPPLE, STEEL STR THRD, 3/4 - 16
9	4900106	1	PLUG, STEEL, #5 ORB, HEX (VITON-O)
10	5000020	1	ELBOW, BRASS NPT-POLY, 1/8-1/4"
11	4900200	1	CONN, STRAIGHT, #8 MORB X #8 MJIC
12	5000165	1	ELBOW,90, BRASS NPT-POLY, 1/8-3/16"
13	5000160	1	ADAPTER, BRASS, 1/8-1/8 NPT
14	3600036	1	ELEMENT, SEP, COALESCING
15	5830066	1	O-RING, VITON, 4 3/4 ID X 1/8
16	9200039	1	OIL FILTER, VR 3.250 SHORT
17	9200437	1	ASSEMBLY, BLOWDOWN CAP
17.1	3600054	1	VALVE, SAFETY, 200 PSI
17.2	4500104	1	MUFFLER, SINTERED EXHAUST, 1/8"
18	1510086	6	BOLT, HHCS NC G5 FL LK, 3/8 X 1
19	A700061	1	SIGHT GLASS ASSEMBLY
20	5830133	1	O-RING, VITON, #12

VMAC – Vehicle Mounted Air Compressors

Toll Free: 1-800-738-8622 Local: 1-250-740-3200

Fax: 1-250-740-3201

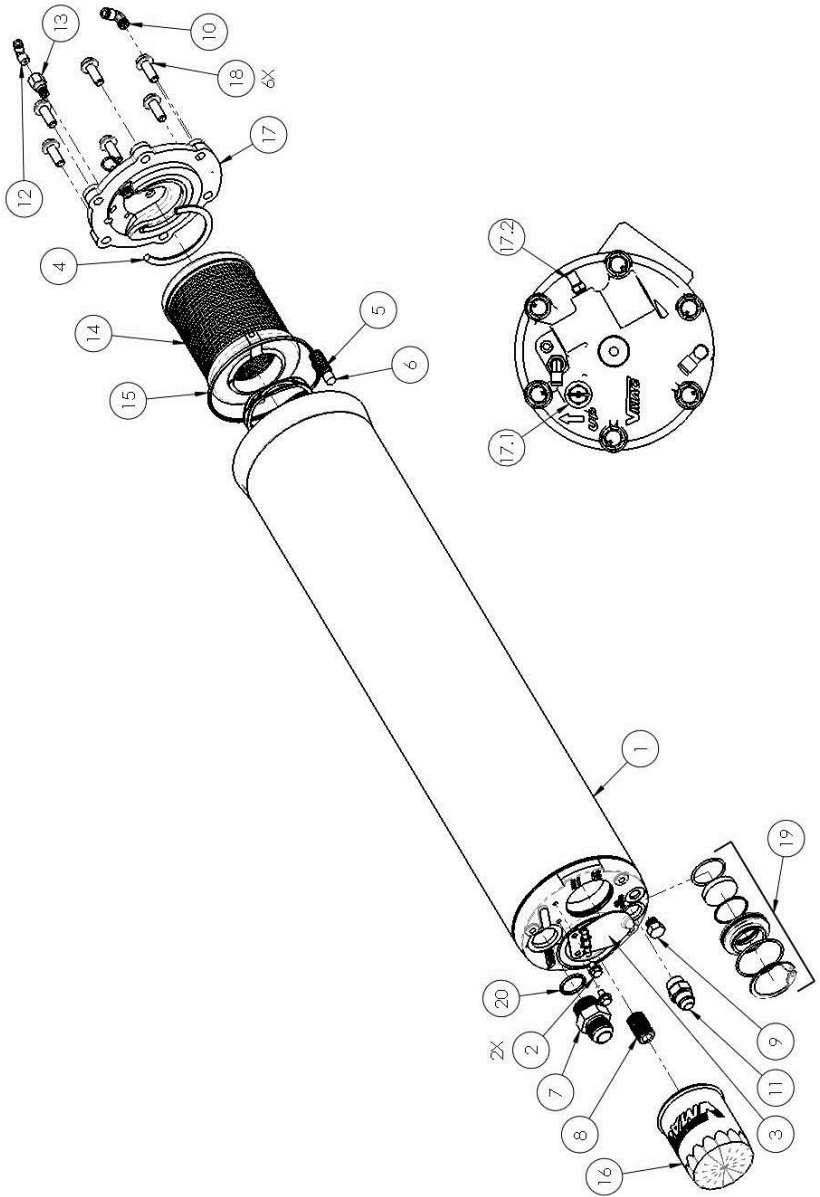


Figure 7 – VR Tank

VMAC – Vehicle Mounted Air Compressors

Toll Free: 1-800-738-8622 Local: 1-250-740-3200

Fax: 1-250-740-3201