

Illustrated Parts List for VMAC System V900046E

Document Number: 1930110

**GM 5.3L/6.0L Vortec V8 Gas CK2500-CK3500HD
1999-2002 W/WOAC,WOETC**

Kit Pack List	Page 2
<i>Sub Assemblies</i>	
Fastener Pack	4
Compressor Assembly	6
Compressor Sub Components	8
Inlet Valve Sub Components	9
Main Bracket Assembly.....	10
Tank Mount Strap Assembly	11
VR70 Tank	12
Cooler Assembly	14
 Adaptor Pack	
Adaptor Kit, 5.3L Vortec V8 Gas	14
Adaptor Kit, 5.3L/6.0L Vortec V8 Gas	15
<i>Sub Assemblies</i>	
Throttle Control,GMC/CHEV 6.0L, 1999-2002.....	16

Changes and Revisions

Version	Revision Details	Revised by/date	Approved by/date	Implemented
-	New Format	YBD/13OCT05	SM/13OCT05	24OCT2005

VMAC – Vehicle Mounted Air Compressors

Toll Free: 1-800-738-8622

Local: 1-250-740-3200

Fax: 1-250-740-3201

V900046E - Illustrated Parts List

Document Number: 1930110

Table 1 - Kit Pack List, V900046

Item #	Part #	Qty	Description
1	1600233	1	BELT, 77.5
2	1730107	1	HOSE, CRIMPED, 1/4" X 107"
3	1740111	1	HOSE, CRIMPED, 5/16" X 111"
4	1752068	1	HOSE, CRIMPED, 1/2" X 68"
5	1752075	1	HOSE, CRIMPED, 1/2" X 75"
6	1771078	1	HOSE, CRIMPED, 3/4" X 78"
7	1800194	1	CRANK PULLEY
8	1930006	1	MANUAL, INSTALLATION, V900046
9	1930060	1	MANUAL, OWNERS GENERIC, VR70 & 140
10	1930110	1	ILLUSTRATED PARTS LIST, V900046
11	2200105	2	CLAMP, MOUNTING BRACKET C, 6
12	2200111	1	STRAP, TANK, BACKING
13	2200120	1	STRAP, TANK CABLE, 17
14	3550391	1	CABLE, INTERFACE GMC 454
15	3550404	1	CONTROL PANEL - LOW PROFILE
16	3550412	1	SWITCHING BOX
17	3800195	1	FASTENER PACK, V900046
18	4800163	2	BRACKET, TANK
19	4800211	1	COOLER
20	4800215	1	IDENTIFICATION, SYSTEM 9046
21	4800273	1	MAIN BRACKET ASSEMBLY 1100136
22	4800413	1	SYSTEM OPERATION INSTRUCTION
23	9200380	1	TANK, VR70 DRESSED INT OIL FILTER
24	A700091	1	OIL, VR, 1L, HIGH PERFORMANCE
25	A700094	1	OIL, VR, 4L, HIGH PERFORMANCE
26	P120055	1	COMPRESSOR ASSEMBLY

See Figure 1

VMAC – Vehicle Mounted Air Compressors

Toll Free: 1-800-738-8622

Local: 1-250-740-3200

Fax: 1-250-740-3201

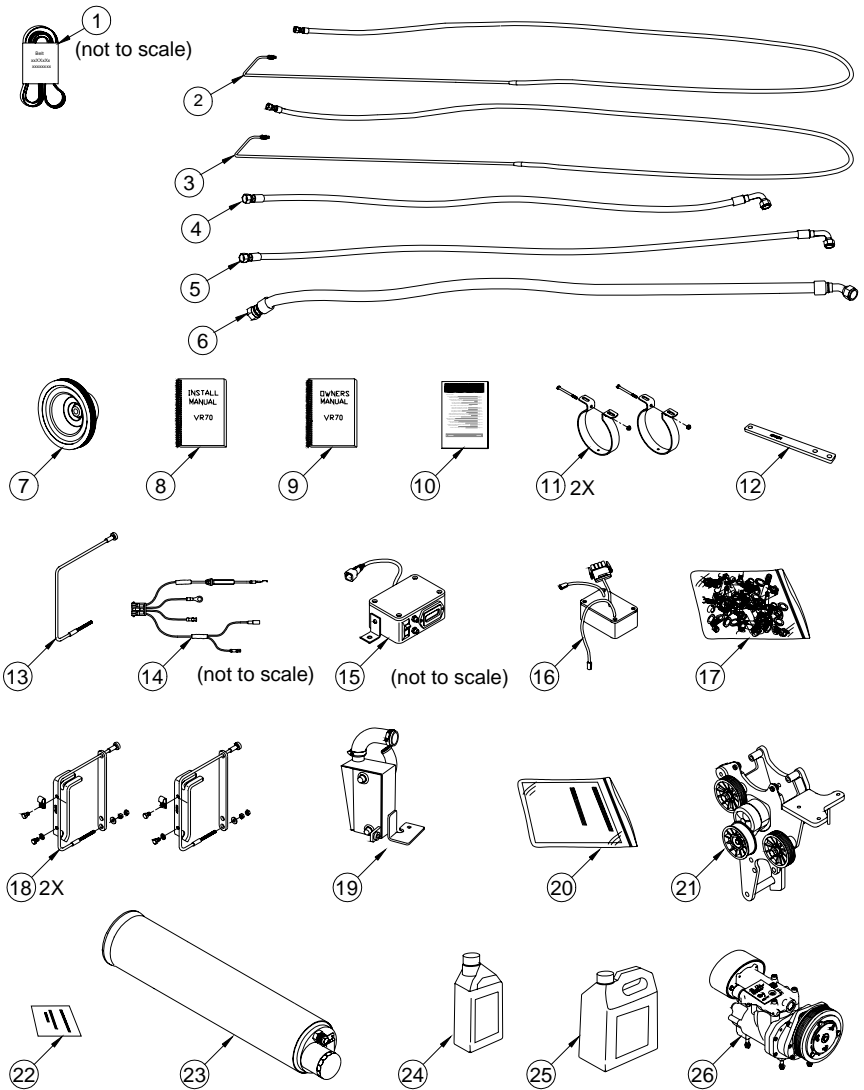


Figure 1 - Kit Pack List
 See Table 1

VMAC – Vehicle Mounted Air Compressors
 Toll Free: 1-800-738-8622
 Local: 1-250-740-3200
 Fax: 1-250-740-3201

V900046E - Illustrated Parts List

Document Number: 1930110

Table 2 - Fastener Pack, 3800195

Item #	Part #	Qty	Description
1	3800197	1	FASTENER PACK, COOLER
1.1	1520060	1	BOLT, HHCS G10.9, M10 X 1.5 X 40
1.2	1520090	1	BOLT, HHCS G10.9, M10 X 1.5 X 30
1.3	1520159	1	BOLT, HHCS G10.9, M12 X 1.75 X 30
1.4	1560215	1	NUT, HEX PL, M12
1.5	1570044	2	WASHER, ALLOY PL SAE, 3/8
1.6	1570237	1	WASHER, SPLIT LOCK, 1/2
1.7	2200026	2	CLAMP, HOSE HS28
2	3800198	1	FASTENER PACK, MAIN BRACKET
2.1	1520060	3	BOLT, HHCS G10.9, M10 X 1.5 X 40
2.2	1520090	5	BOLT, HHCS G10.9, M10 X 1.5 X 30
2.3	1520144	1	BOLT, HHCS G8.8, M10 X 1.5 X 12
2.4	1520464	1	BOLT, HHCS G10.9, M10 X 1.5 X 130
2.5	1570044	9	WASHER, ALLOY PL SAE, 3/8
3	3800199	1	FASTENER PACK, CRANK BOLT
3.1	4800374	1	BOLT/ WASHER ASSEMBLY
4	3800345	1	FASTENER PACK, PCM LOCATING BRACKET
4.1	1200334	1	BRACKET, PCM

See Figure 2

VMAC – Vehicle Mounted Air Compressors

Toll Free: 1-800-738-8622

Local: 1-250-740-3200

Fax: 1-250-740-3201

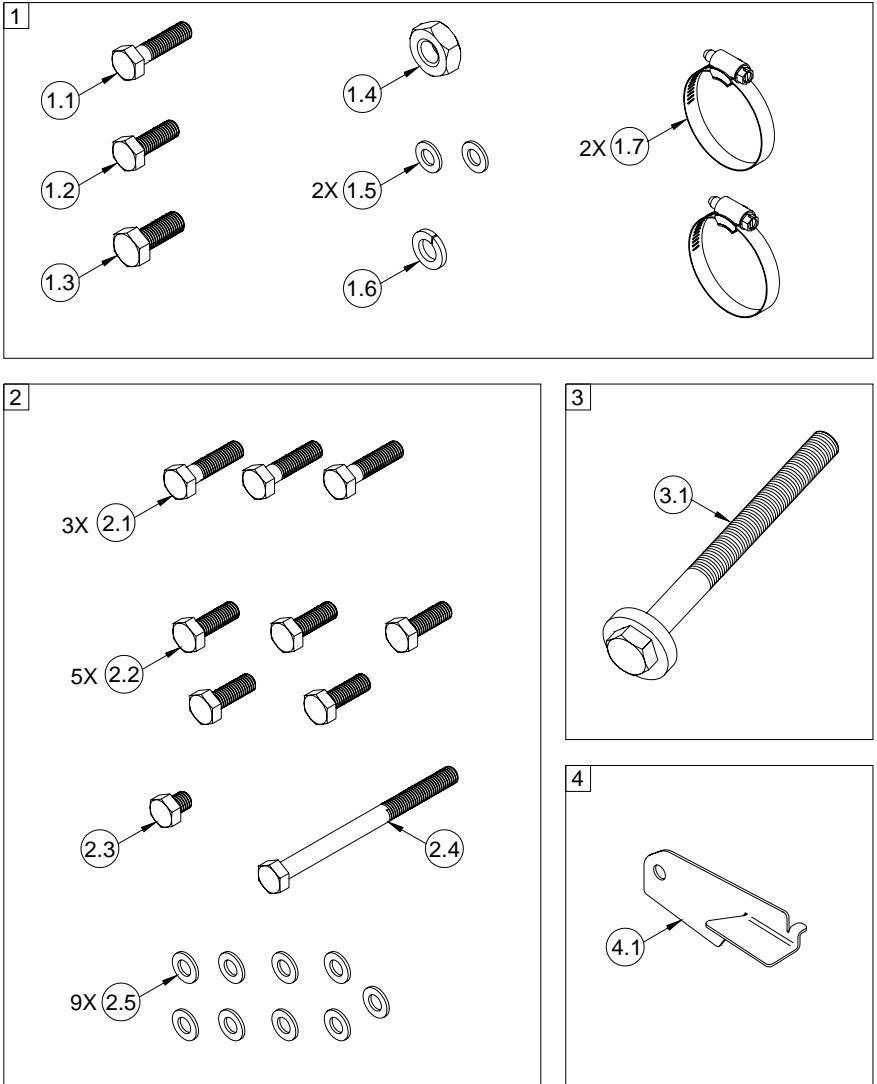


Figure 2 – Fastener Packs
See Table 2

V900046E - Illustrated Parts List

Document Number: 1930110

Table 3 - Compressor Assembly, P120055

Item #	Part #	Qty	Description
1	1500399	3	STUD, M8 X 1.25 X 38
2	1540530	2	BOLT, SHCS, M8 X 1.25 X 55, G12.9
3	1540550	2	BOLT, SHCS, M8 X 1.25 X 50, G12.9
4	1560508	3	NUT, W/DBL SER WASHER, M8 X 1.25
5	1570482	1	WASHER
6	4900002	1	ELBOW, STEEL JIC/O-RING, 1/2 3/4-16
7	5000081	1	ELBOW, BRASS NPT-TUBE, 1/8-5/16
8	5000085	1	ELBOW, BRASS NPT-SAE 45 DEG, 1/8-1/4
9	5830004	1	O-RING, VITON, 3 1/8 ID X 1/8
10	5830005	1	O-RING, VITON, 11/16 ID X 3/32
11	9200396	1	ASSEMBLY, INLET CONTROL VALVE
12	P120002	1	COMPRESSOR, VR70

See Figure 3

VMAC – Vehicle Mounted Air Compressors

Toll Free: 1-800-738-8622

Local: 1-250-740-3200

Fax: 1-250-740-3201

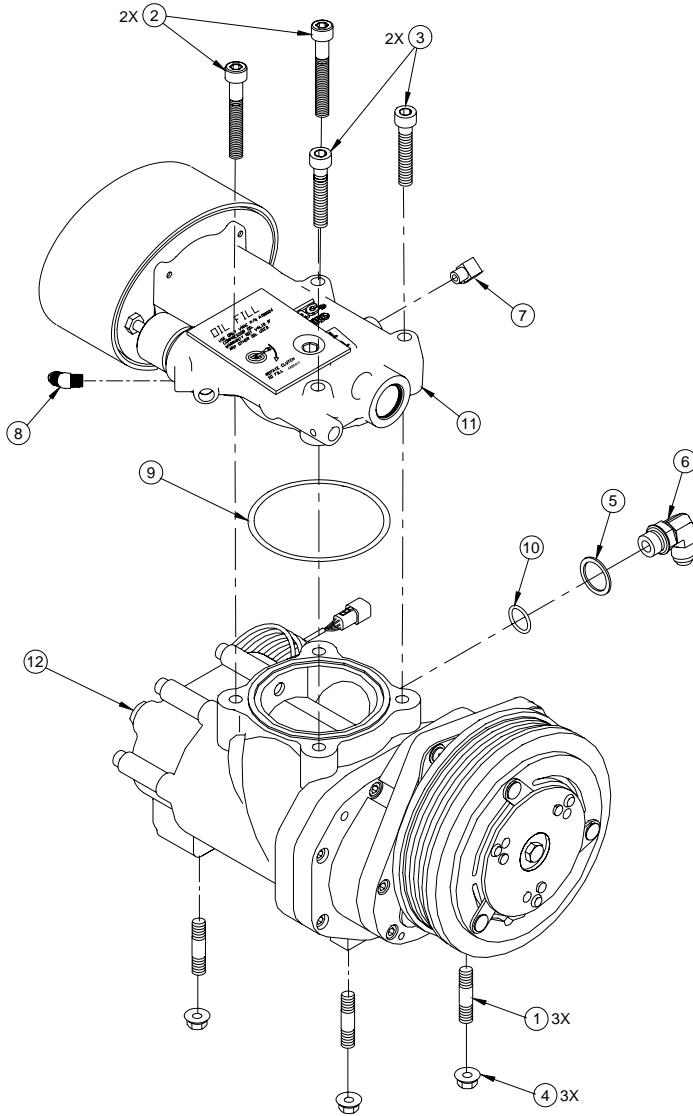


Figure 3 – Compressor Assembly
See Table 3

Table 4 - Compressor Sub Components, P120002

Item #	Part #	Qty	Description
1	3550682	1	TEMPERATURE PROBE
2	P200035	1	CLUTCH COMPLETE 6 GROOVE

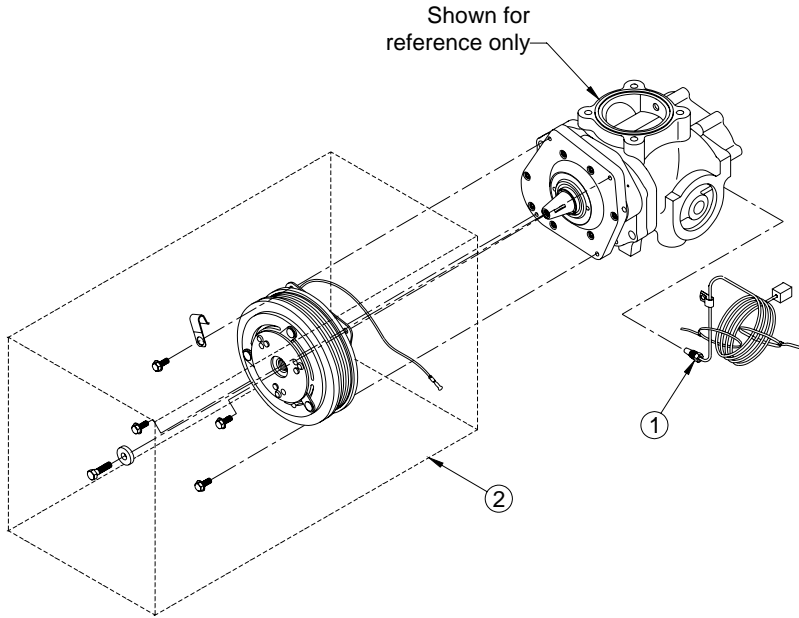


Figure 4– Compressor Sub Components

Table 5 - Inlet Valve Sub Components, 9200396

Item #	Part #	Qty	Description
1	3600046	1	REGULATOR VALVE
2	4900045	1	PLUG
3	5830002	1	O-RING, VITON, 2 3/8 ID X 3/32
4	5830043	1	O-RING, VITON, 1 7/8 ID X 1/8
5	A700049	1	FILTER KIT ASSEMBLY
5.1	1500077	4	SCREW, BUTTON HEAD, 10 - 32 X 3/8
5.2	1500519	1	ROD, THREADED, 1/4 X 2.62
5.3	1550029	1	NUT, NYLOCK NC, 1/4
5.4	1550221	1	NUT, HEX NC PL, 1/4, GR8
5.5	1570038	1	WASHER, FLAT SAE, 1/4
5.6	3200205	1	PLATE, INNER FILTER
5.7	3600037	1	ELEMENT, FILTER, PAPER
5.8	3600066	1	COVER, AIR FILTER, PLASTIC
5.9	5830070	1	O-RING, VITON, 2 9/16 ID X 3/32

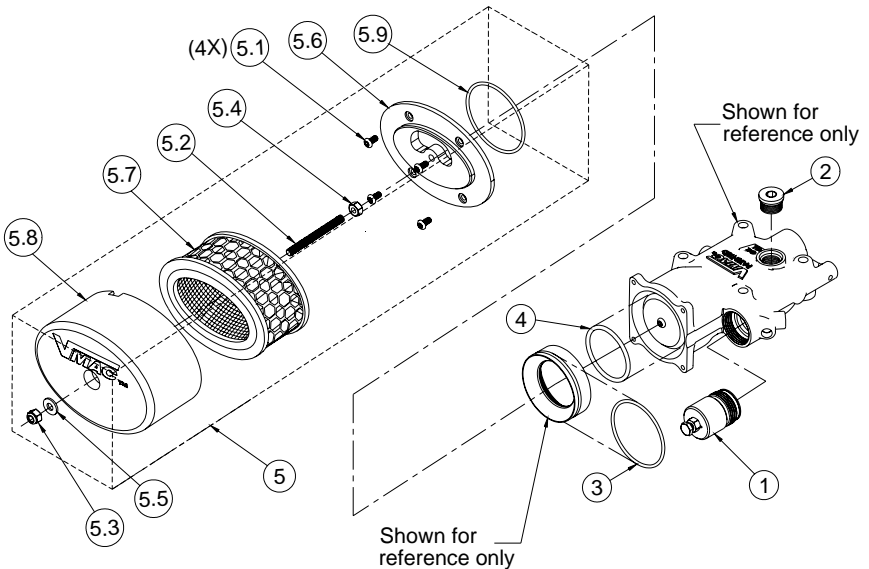


Figure 5 – Inlet Valve Sub Components

V900046E - Illustrated Parts List

Document Number: 1930110

Table 6 - Main Bracket Assembly, 4800273

Item #	Part #	Qty	Description
1	1100136	1	BRACKET, GMC 5.3/6.0
2	1300007	1	IDLER, SERP 6 RIB BACK
3	1300008	2	IDLER, SERP 6 RIB GROOVE
4	1400051	2	SPACER, IDLER - BOLT
5	1400129	1	SPACER, IDLER
6	1500403	1	BOLT, MACHINED IDLER, 1/2 X 1 1/4
7	1510043	1	BOLT, HHCS NC G8 PL, 7/16 X 1
8	1510161	1	BOLT, HHCS NC G8 FL, 1/2 X 1 1/4
9	1520090	1	BOLT, HHCS G10.9, M10 X 1.5 X 30
10	1560138	1	NUT, NYLOCK PL, M10 X 1.5
11	1570044	2	WASHER, ALLOY PL SAE, 3/8
12	1570048	1	WASHER, ALLOY PL SAE, 7/16
13	3300020	1	TENSIONER

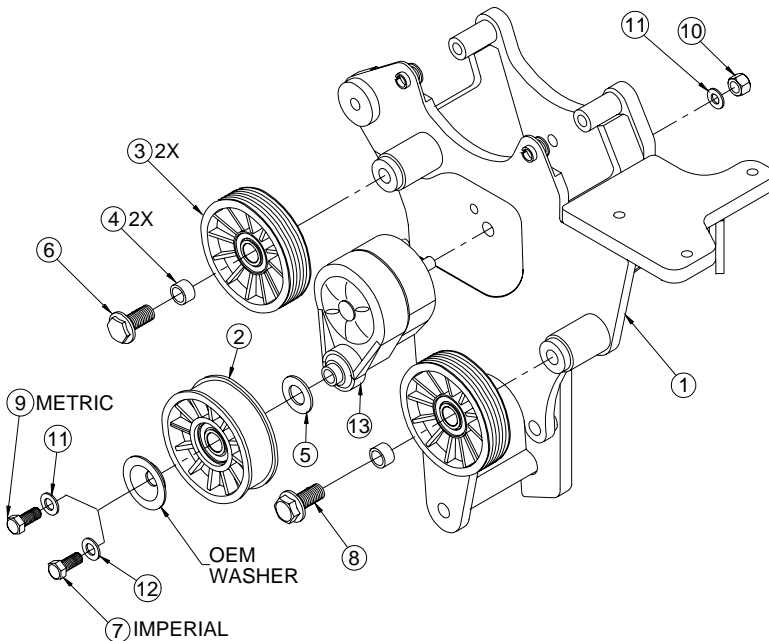


Figure 6 – Main Bracket Assembly

VMAC – Vehicle Mounted Air Compressors

Toll Free: 1-800-738-8622

Local: 1-250-740-3200

Fax: 1-250-740-3201

Table 7 - Tank Mount Strap Assembly, 4800163

Item #	Part #	Qty	Description
1	1200236	1	BRACKET, STRAP, TANK MOUNT
2	1510349	2	BOLT, HHCS NC G8 PL, 5/16 X 1/2
3	1550066	2	NUT, HEX NC, 5/16
4	1570067	1	WASHER, SAE, 5/16
5	1570476	1	WASHER, 5/16 ID X 3/4 OD
6	2200106	1	STRAP, TANK CABLE, 16
7	2200113	1	STRAP, TANK FLAT BAR, BACKING STRAP.
8	2200133	1	CLAMP, INSULATED DOUBLE TUBE, 1/4

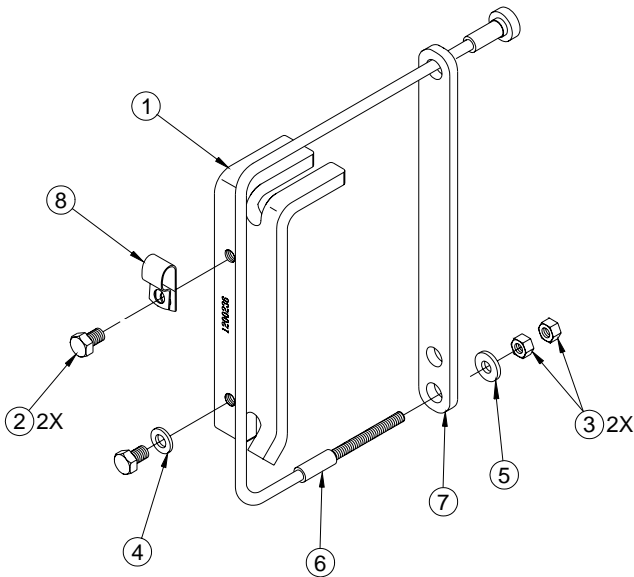


Figure 7 – Tank Mount Strap Assembly

Note: Two assemblies per kit

V900046E - Illustrated Parts List

Document Number: 1930110

Table 8 - VR70 Tank, 9200380

Item #	Part #	Qty	Description
1	1510086	6	BOLT, HHCS NC G5 FL LK, 3/8 X 1
2	1510522	2	BOLT, HHCS NC G8 FL LK PL, 1/4 X 1/2
3	3200231	1	COVER, SIGHT GLASS
4	3600036	1	ELEMENT, SEP, COALEISING
5	3600064	1	SEAL, TANK REAR CAP
6	3600090	1	THIMBLE, SCREEN
7	4900033	1	CONNECTOR, STEEL NPT-JIC, 3/4-3/4
8	4900035	1	NIPPLE, STEEL STR THRD, 3/4 - 16
9	4900065	1	PLUG, HEX HEAD STEEL ALLEN, 5
10	5000089	1	CONNECTOR, BRASS NPT-SAE, 3/8 - 1/2
11	5830066	1	O-RING, VITON, 4 3/4 ID X 1/8
12	5840068	1	SPRING, COMPRESSION, 2.187 OD X 5
13	5840069	1	SPRING, COMPRESSION, FL 1.5",OD .54
14	9200039	1	OIL FILTER, VR 3.250 SHORT
15	9200364	1	ASSEMBLY, BLOWDOWN CAP
15.1	3600054	1	VALVE, SAFETY 200 PSI
15.2	4500104	1	MUFFLER, SINTERED EXHAUST
16	A700061	1	SIGHT GLASS ASSEMBLY

See Figure 8

VMAC – Vehicle Mounted Air Compressors

Toll Free: 1-800-738-8622

Local: 1-250-740-3200

Fax: 1-250-740-3201

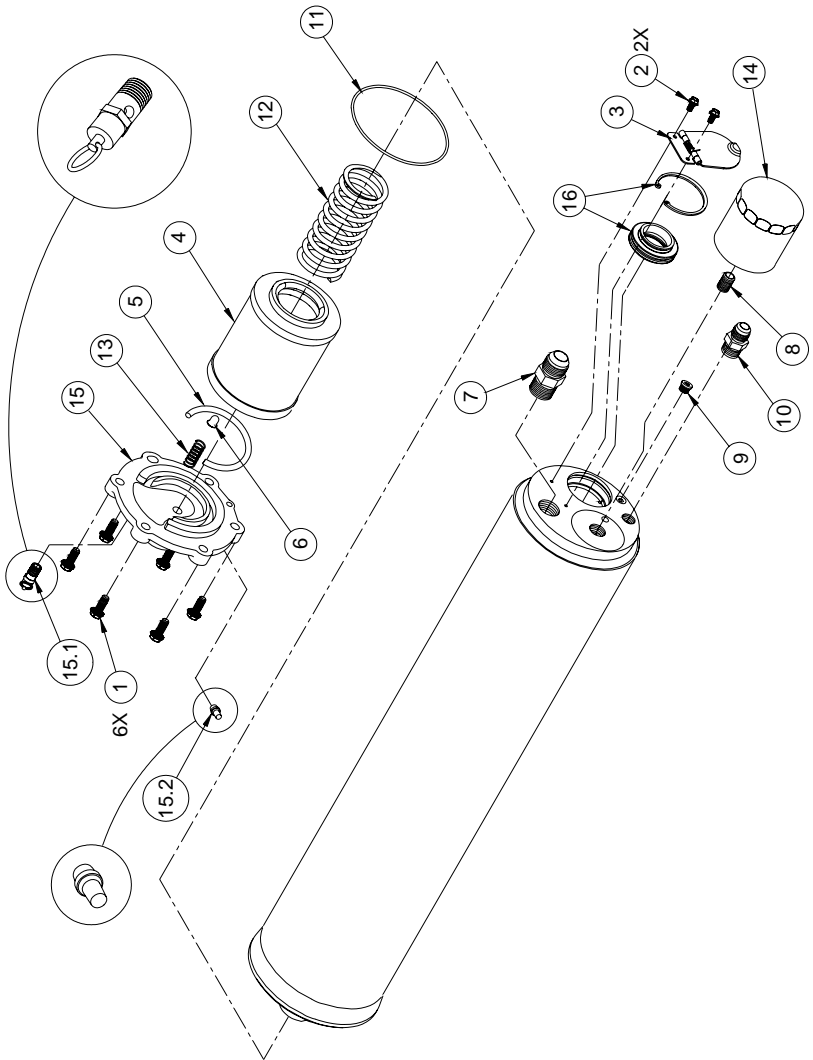


Figure 8 - VR70 Tank
See Table 8

V900046E - Illustrated Parts List

Document Number: 1930110

Table 9 - Cooler Assembly, 4800211

Item #	Part #	Qty	Description
1	1710424	1	HOSE, RADIATOR, MODIFIED 1700423
2	2200026	2	CLAMP, HOSE HS28
3	9200192	1	COOLER

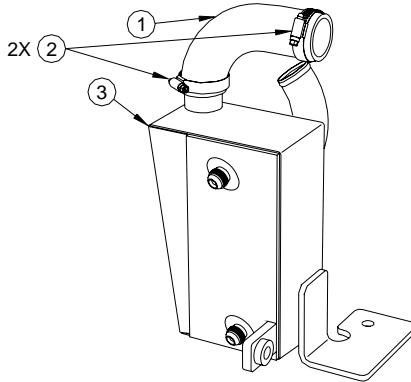


Figure 9 - Cooler Assembly

Table 10 - Adaptor Kit, 5.3L Vortec V8 Gas, A700042

Item #	Part #	Qty	Description
1	1900662	1	MANUAL, A700042
2	1710426	1	RADIATOR HOSE

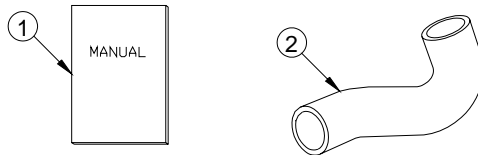


Figure 10 - Adaptor Kit, 5.3L Vortec V8 Gas

VMAC – Vehicle Mounted Air Compressors

Toll Free: 1-800-738-8622

Local: 1-250-740-3200

Fax: 1-250-740-3201

Table 11 - Adaptor Kit, 5.3L/6.0L Vortec V8 Gas, A700064

Item #	Part #	Qty	Description
1	1540427	3	BOLT, SHCS, M8 X 1.25 X 60
2	1900730	1	MANUAL, INSTALLATION A700064
3	3550511	1	CIRCUIT, DVR DIS GMC 5.3/6.0
4	3620065	1	THROTTLE CONTROL,GMC/CHEV 6.0,99-02
5	5000020	2	ELBOW, BRASS NPT-POLY, 1/8-1/4

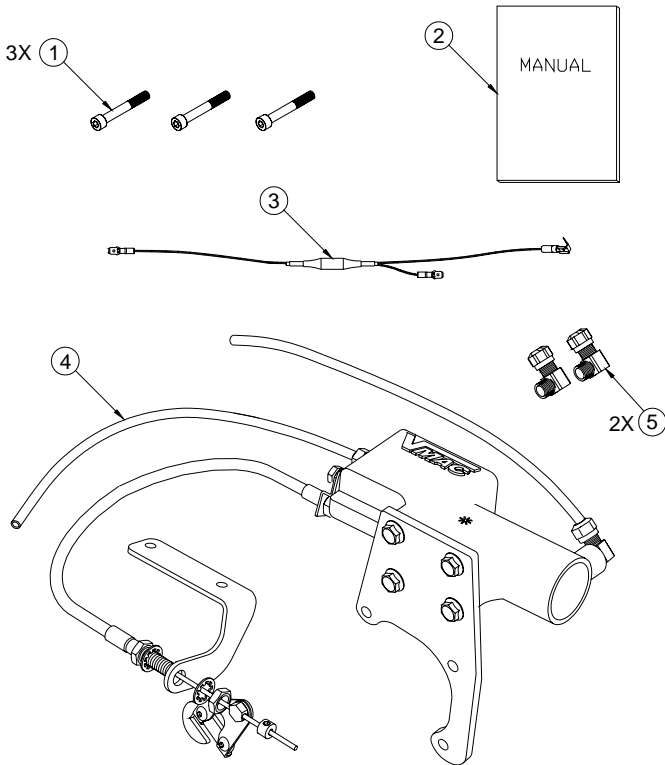


Figure 11 - Adaptor Kit, 5.3L/6.0L Vortec V8 Gas

V900046E - Illustrated Parts List

Document Number: 1930110

Table 12 – Throttle Control, GMC/CHEV 6.0L, 1999-2002, 3620065

Item #	Part #	Qty	Description
1	1200254	1	BRACKET, THROTTLE MOUNT
2	1200320	1	THROTTLE PULL
3	1200321	1	CLAMP, THROTTLE PULL
4	1200322	1	SUPPORT, THROTTLE CABLE
5	1500077	2	SCREW, BUTTON HEAD, 10 - 32 X 3/8
6	1500444	1	CLIP, E TYPE, 3/16
7	1510519	4	BOLT, HHCS NC G8 FL LK PL, 1/4X5/8
8	1570335	1	WASHER, NYLON, 1/4
9	1700055	35"	HOSE, BRAKE BLACK, 1/4
10	1700334	21"	HOSE, BRAKE RED, 1/4
11	3200070	1	NIPPLE, THROTTLE PULL CABLE
12	3200215	1	FITTING, CABLE SWIVEL
13	3620039	1	THROTTLE CONTROL, MECHANICAL
13.1	1550400	2	NUT, JAM NF, 3/8
13.2	1570032	2	WASHER, SER, 3/8
13.3	3200145	1	POPPET
13.4	3200229	1	SOLENOID
13.5	5830058	1	O-RING, 002
13.6	9200149	1	CABLE ASSEMBLY, MODIFIED
14	5000020	1	ELBOW, BRASS NPT-POLY, 1/8-1/4
15	9200193	1	TUBE, MODIFIED 1/4 TO 1/8 NPT ORIF

See Figure 12

VMAC – Vehicle Mounted Air Compressors

Toll Free: 1-800-738-8622

Local: 1-250-740-3200

Fax: 1-250-740-3201

