

Illustrated Parts List for VMAC System V90052

FORD 5.4L TRITON F250-F350 SD 1999-2004 W/WOAC

1 - Kit Pack List	2
2 - Fastener Pack, 3800459.....	4
3 - Compressor Assembly, P120047	6
4 - Compressor Sub Components, P120002.....	8
5 - Inlet Valve Sub Components, 9200419	9
6 - Main Bracket Assembly, 4800400	10
7 Tank Mount Strap Assembly, 4800243.....	11
8 - VR70 Tank, 9200380	12
9 - Throttle Control, FORD V8 TRI 5.4L, 3620063.....	14
10 – Cooler Assembly, 4800219.....	16
11 – Elbow Assembly, 4800396.....	17

Document 1930114
Changes and Revisions

Version	Revision Details	Revised by/date	Approved by/date	Implemented
-	New Format	YBD/16NOV05	SM/DEC/05	07DEC2005
A	ECN 06-220 Coal. Spring	IB 22 Apr 2007	SH 23 Apr 2007	27 Apr 2007

VMAC – Vehicle Mounted Air Compressors
Toll Free: 1-800-738-8622
Local: 1-250-740-3200
Fax: 1-250-740-3201

1 - Kit Pack List

Item #	Part#	Qty	Description
1	1650231	1	BELT, 5060750
2	1730091	1	HOSE, CRIMPED, 1/4" X 91"
3	1740100	1	HOSE, CRIMPED, 5/16" X 100"
4	1752062	1	HOSE, CRIMPED, 1/2" X 62"
5	1752083	1	HOSE, CRIMPED, 1/2" X 83"
6	1771050	1	HOSE, CRIMPED, 3/4" X 50"
7	1800159	1	PULLEY, CRANK FORD TRITON CAST VER
8	1930060	1	MANUAL, OWNERS GENERIC, VR70 & 140
9	1930062	1	MANUAL, INSTALLATION, V900051/52
10	1930114	1	ILLUSTRATED PARTS LIST, V900052
11	2200105	2	CLAMP, MOUNTING BRACKET C, 6
12	3550388	1	CONTROL BOX, VR70
13	3550390	1	CABLE, INTERFACE, FORD V10
14	3550676	1	DDC, FORD PRNDL SWITCH
15	3620063	1	THROTTLE CONTROL, FORD V8 TRI 5.4L
16	3800459	1	FASTENER PACK, V900052 REV D
17	4800219	1	COOLER ASSEMBLY
18	4800243	2	MOUNT, TANK STRAP
19	4800396	1	ELBOW ASSEMBLY
20	4800400	1	BRACKET, ASSEMBLY
21	4800413	1	SYSTEM OPERATION INSTRUCTION AND ID
22	9200380	1	TANK, VR70 DRESSED INT OIL FILTER
23	A700091	1	OIL, VR, 1L, HIGH PERFORMANCE
24	A700094	1	OIL, VR, 4L, HIGH PERFORMANCE
25	P120047	1	COMPRESSOR ASSEMBLY

VMAC – Vehicle Mounted Air Compressors

Toll Free: 1-800-738-8622

Local: 1-250-740-3200

Fax: 1-250-740-3201

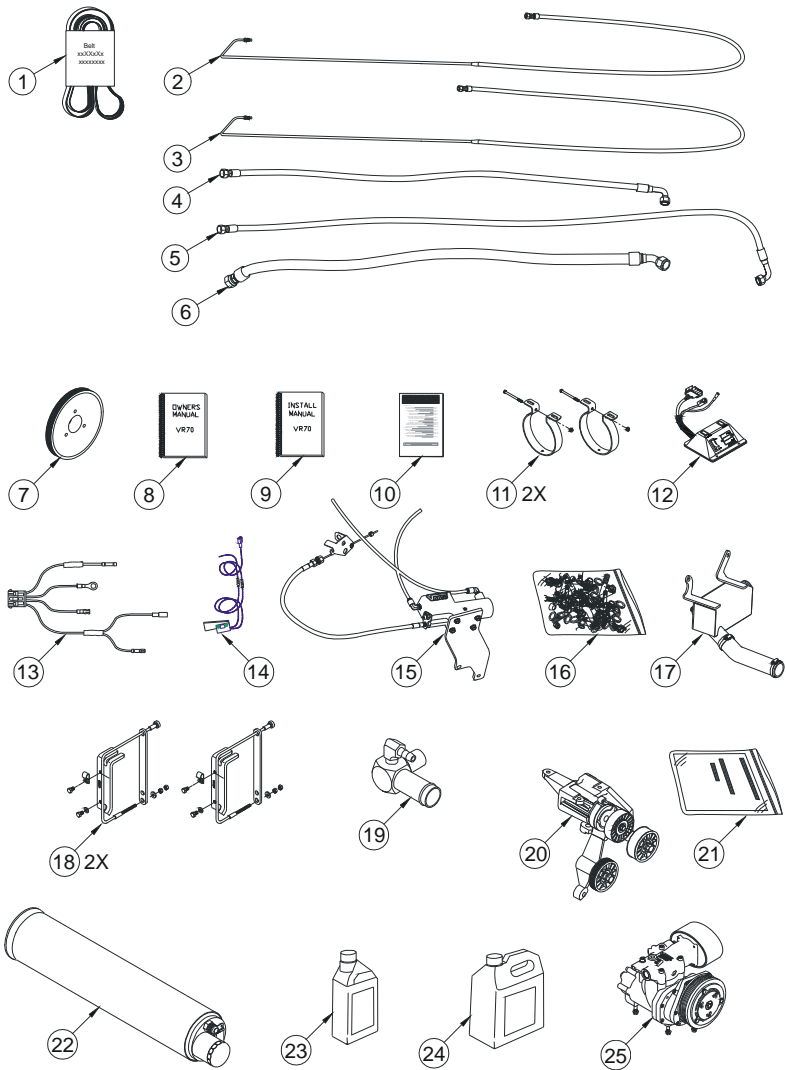


Figure 1 - Kit Pack List

2 - Fastener Pack, 3800459

Item #	Part #	Qty	Description
1	3800182	1	FASTENER PACK, OIL FILLER
1.1	1710184	1	HOSE, OIL FILLER (1700183)
1.2	2200062	2	CLAMP, HOSE HS24
2	3800191	1	FASTENER PACK, COOLER
2.1	1560138	2	NUT, NYLOCK PL, M10 X 1.5
2.2	1570044	2	WASHER, ALLOY PL SAE, 3/8
2.3	2200026	3	CLAMP, HOSE HS28
2.4	2200048	1	CLAMP, HOSE HS12
3	3800249	1	FASTENER PACK, PULLEY
3.1	1520150	3	BOLT, HHCS G10.9, M10 X 1.5 X 70
3.2	1570044	3	WASHER, ALLOY PL SAE, 3/8
4	3800389	1	FASTENER PACK, FUEL RAIL
4.1	1540541	1	BOLT, SHCS, M6 X 1 X 20, FLHD
5	3800439	1	FASTENER PACK, MAIN BRACKET 1100145-G
5.1	1520203	1	BOLT, HHCS G10.9, M8X1.25X25 FULL
5.2	1540146	2	BOLT, SHCS, M10 X 1.5 X 25
5.3	1540287	1	BOLT, SHCS, M10 X 1.5 X 100
5.4	1570044	3	WASHER, ALLOY PL SAE, 3/8
5.5	1570067	1	WASHER, SAE, 5/16

VMAC – Vehicle Mounted Air Compressors

Toll Free: 1-800-738-8622

Local: 1-250-740-3200

Fax: 1-250-740-3201

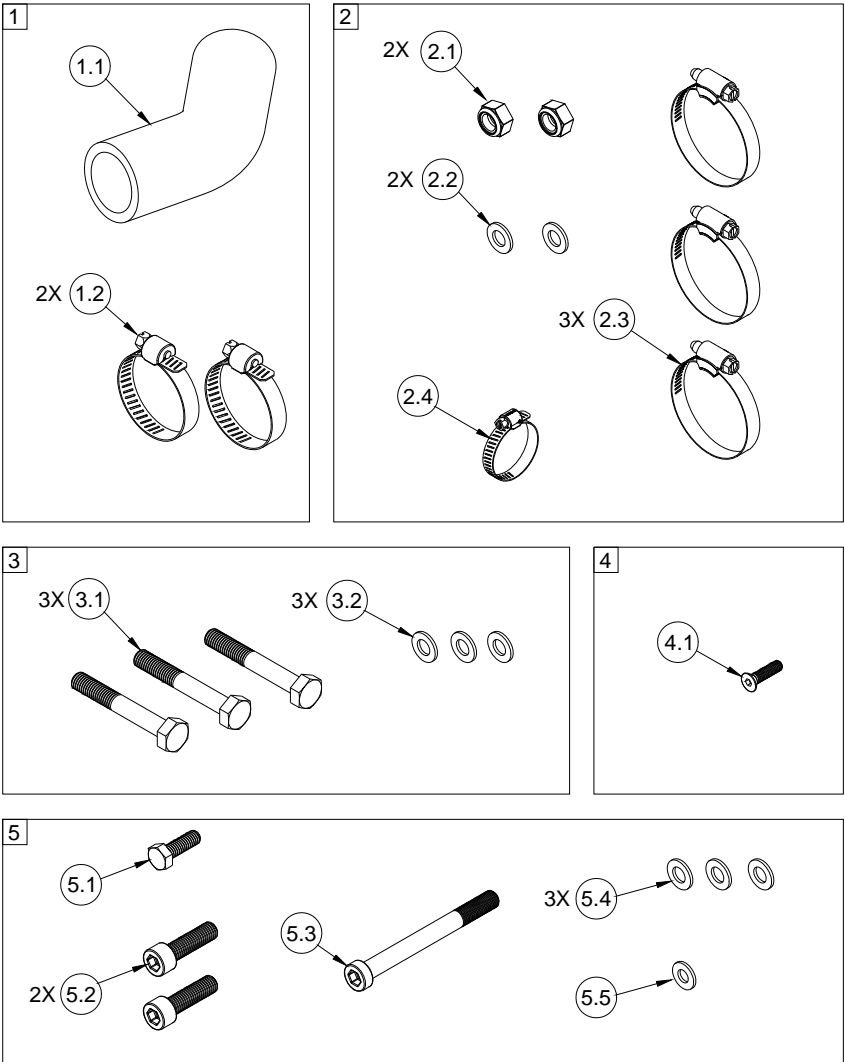


Figure 2 – Fastener Packs

3 - Compressor Assembly, P120047

Item #	Part #	Qty	Description
1	1500399	3	STUD, M8 X 1.25 X 38
2	1540530	2	BOLT, SHCS, M8 X 1.25 X 55, G12.9
3	1540550	2	BOLT, SHCS, M8 X 1.25 X 50, G12.9
4	1560508	3	NUT, W/DBL SER WASHER, M8 X 1.25
5	3200236	1	RING, SEAL
6	4900043	1	ELBOW, STEEL JIC/JIC SWIVEL, 3/4
7	4900046	1	CONN, STL,3/4-16 O-RING TO 1/2 TUBE
8	5000012	1	CONNECTOR, BRASS NPT-POLY, 1/8-1/4
9	5000020	1	ELBOW, BRASS NPT-POLY, 1/8-1/4
10	5000064	1	ELBOW, BRASS PIPE-TUBE, 1/4-1/8
11	5000081	1	ELBOW, BRASS NPT-TUBE, 1/8-5/16
12	5830004	1	O-RING, VITON, 3 1/8 ID X 1/8
13	5830072	1	O-RING, VITON, 5/8 ID X 1/16
14	5830088	1	O-RING, VITON, 13/16 ID X 1/16
15	9200419	1	ASSEMBLY, INLET CONTROL VALVE
16	P120002	1	COMPRESSOR, VR70

VMAC – Vehicle Mounted Air Compressors

Toll Free: 1-800-738-8622

Local: 1-250-740-3200

Fax: 1-250-740-3201

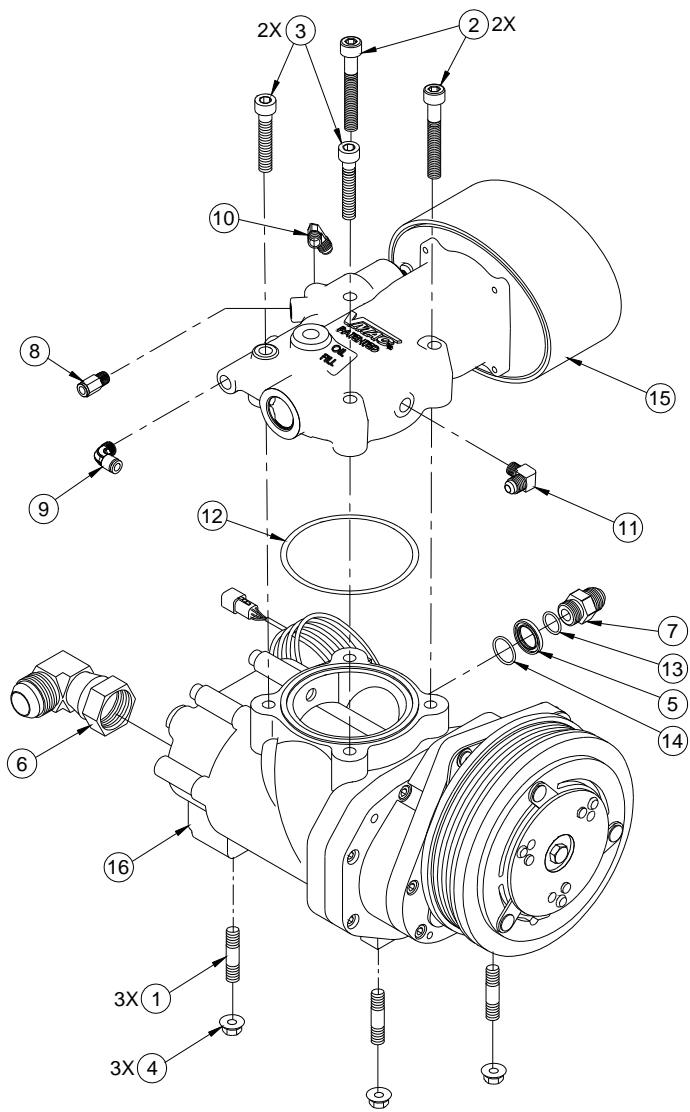


Figure 3 – Compressor Assembly

4 - Compressor Sub Components, P120002

Item #	Part #	Qty	Description
1	3550682	1	TEMPERATURE PROBE
2	P200035	1	CLUTCH COMPLETE 6 GROOVE

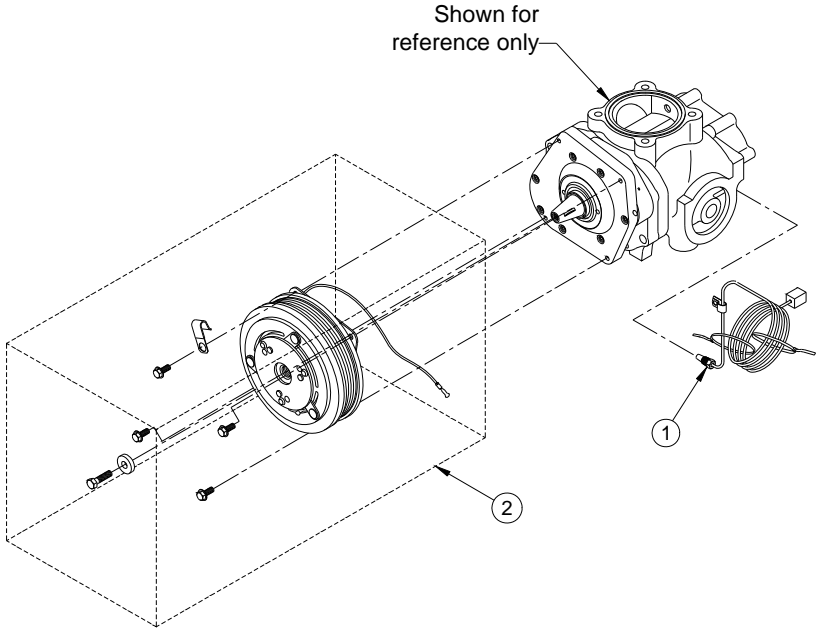


Figure 4– Compressor Sub Components

VMAC – Vehicle Mounted Air Compressors
Toll Free: 1-800-738-8622
Local: 1-250-740-3200
Fax: 1-250-740-3201

5 - Inlet Valve Sub Components, 9200419

Item #	Part #	Qty	Description
1	3600046	1	REGULATOR VALVE
2	4900045	1	PLUG
3	5830002	1	O-RING, VITON, 2 3/8 ID X 3/32
4	5830129	1	O-RING, VITON, 1 7/8 ID X 3/16
5	A700049	1	FILTER KIT ASSEMBLY
5.1	1500077	4	SCREW, BUTTON HEAD, 10 - 32 X 3/8
5.2	1500519	1	ROD, THREADED, 1/4 X 2.62
5.3	1550029	1	NUT, NYLOCK NC, 1/4
5.4	1550221	1	NUT, HEX NC PL, 1/4, GR8
5.5	1570038	1	WASHER, FLAT SAE, 1/4
5.6	3200205	1	PLATE, INNER FILTER
5.7	3600037	1	ELEMENT, FILTER, PAPER
5.8	3600066	1	COVER, AIR FILTER, PLASTIC
5.9	5830070	1	O-RING, VITON, 2 9/16 ID X 3/32

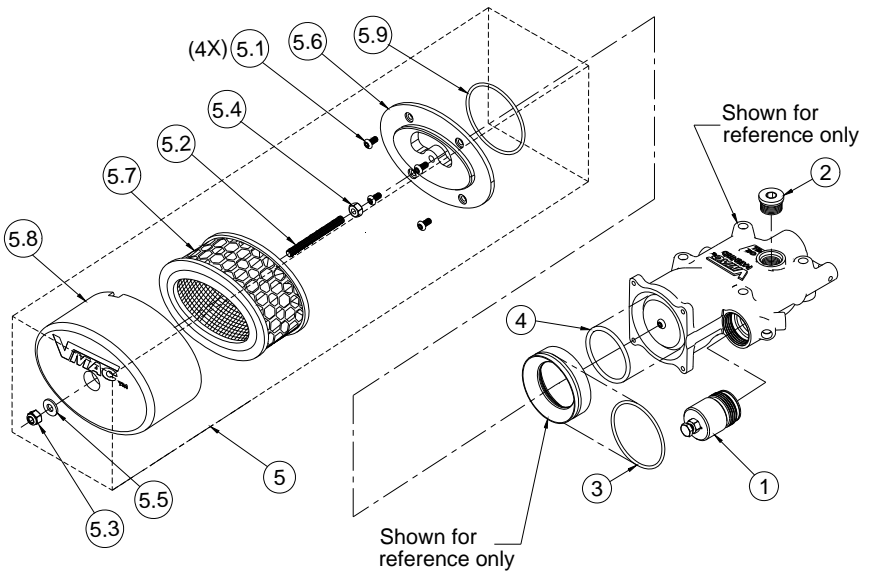


Figure 5 – Inlet Valve Sub Components

VMAC – Vehicle Mounted Air Compressors

Toll Free: 1-800-738-8622

Local: 1-250-740-3200

Fax: 1-250-740-3201

6 - Main Bracket Assembly, 4800400

Item #	Part #	Qty	Description
1	1100145	1	BRACKET
2	1300030	1	IDLER, SERP, 6 GROOVE, FLANGE, 90MM
3	1300031	1	IDLER, SERP, BACK, FLANGE, 90MM
4	1400051	2	SPACER, IDLER - BOLT
5	1510161	2	BOLT, HHCS NC G8 FL, 1/2 X 1 1/4
6	1560138	1	NUT, NYLOCK PL, M10 X 1.5
7	1570044	1	WASHER, ALLOY PL SAE, 3/8
8	3300015	1	TENSIONER

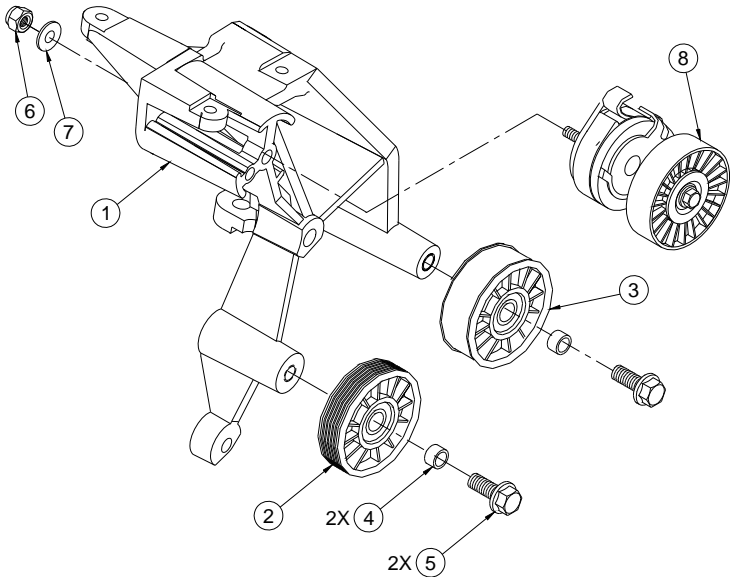


Figure 6 – Main Bracket Assembly

VMAC – Vehicle Mounted Air Compressors

Toll Free: 1-800-738-8622

Local: 1-250-740-3200

Fax: 1-250-740-3201

7 Tank Mount Strap Assembly, 4800243

Item #	Part #	Qty	Description
1	1200236	1	BRACKET, STRAP, TANK MOUNT
2	1400162	1	SPACER, CABLE
3	1510349	2	BOLT, HHCS NC G8 PL, 5/16 X 1/2
4	1550066	2	NUT, HEX NC, 5/16
5	1570067	1	WASHER, SAE, 5/16
6	1570476	1	WASHER, 5/16 ID X 3/4 OD
7	2200113	1	STRAP, TANK FLAT BAR, BACKING STRAP.
8	2200120	1	STRAP, TANK CABLE, 17
9	2200133	1	CLAMP, INSULATED DOUBLE TUBE, 1/4

Note: Two assemblies per kit

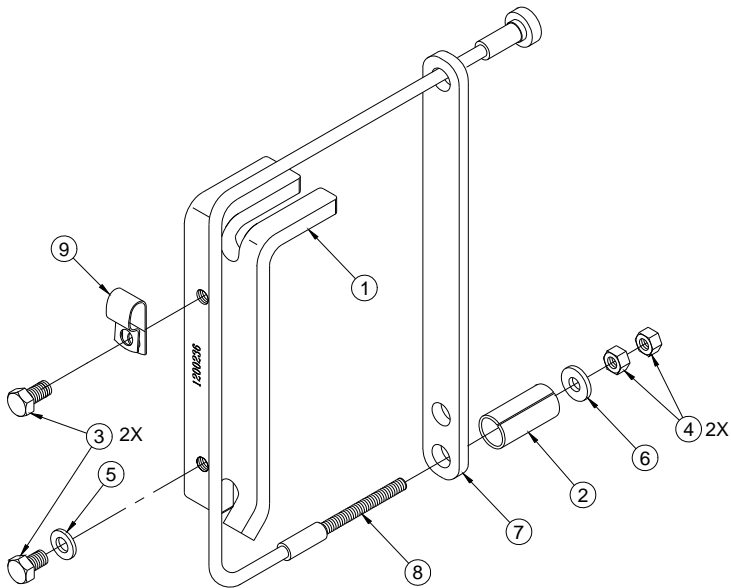


Figure 7 – Tank Mount Strap Assembly

VMAC – Vehicle Mounted Air Compressors

Toll Free: 1-800-738-8622

Local: 1-250-740-3200

Fax: 1-250-740-3201

8 - VR70 Tank, 9200380

Item #	Part #	Qty	Description
1	1510086	6	BOLT, HHCS NC G5 FL LK, 3/8 X 1
2	1510522	2	BOLT, HHCS NC G8 FL LK PL, 1/4 X 1/2
3	3200231	1	COVER, SIGHT GLASS
4	3600036	1	ELEMENT, SEP, COALESING
5	3600064	1	SEAL, TANK REAR CAP
6	3600090	1	THIMBLE, SCREEN
7	4900033	1	CONNECTOR, STEEL NPT-JIC, 3/4-3/4
8	4900035	1	NIPPLE, STEEL STR THRD, 3/4 - 16
9	4900106	1	PLUG, STEEL, #5 ORB HEX
10	5000089	1	CONNECTOR, BRASS NPT-SAE, 3/8 - 1/2
11	5830066	1	O-RING, VITON, 4 3/4 ID X 1/8
12	5840069	1	SPRING, COMPRESSION, FL 1.5",OD .54
13	5840078	1	SPRING, WAVE
14	9200039	1	OIL FILTER, VR 3.250 SHORT
15	9200364	1	ASSEMBLY, BLOWDOWN CAP
15.1	3600054	1	VALVE, SAFETY 200 PSI
15.2	4500104	1	MUFFLER, SINTERED EXHAUST
16	A700061	1	SIGHT GLASS ASSEMBLY

VMAC – Vehicle Mounted Air Compressors

Toll Free: 1-800-738-8622

Local: 1-250-740-3200

Fax: 1-250-740-3201

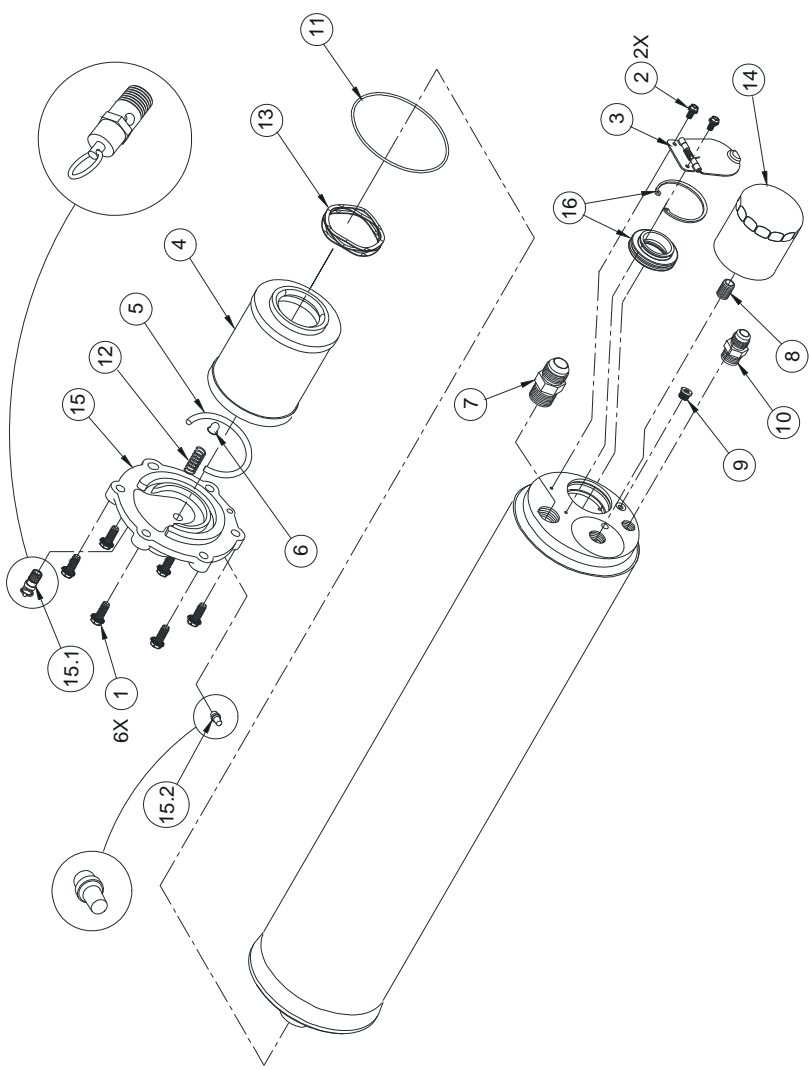


Figure 8 - VR70 Tank

9 - Throttle Control, FORD V8 TRI 5.4L, 3620063

Item #	Part #	Qty	Description
1	1200310	1	BRACKET, THROTTLE PULL
2	1200311	1	BRACE
3	1200414	1	BRACKET, THROTTLE MOUNT
4	1500077	1	SCREW, BUTTON HEAD, 10 - 32 X 3/8
5	1500444	1	CLIP, E TYPE, 3/16
6	1510522	4	BOLT, HHCS NC G8 FL LK PL, 1/4 X 1/2
7	1570335	1	WASHER, NYLON, 1/4
8	1700055	18.5"	HOSE, BRAKE BLACK, 1/4
9	1700334	20"	HOSE, BRAKE RED, 1/4
10	3200070	1	NIPPLE, THROTTLE PULL CABLE
11	3200215	1	FITTING, CABLE SWIVEL
12	3620039	1	THROTTLE CONTROL, MECHANICAL
12.1	1550400	2	NUT, JAM NF, 3/8
12.2	1570032	2	WASHER, SER, 3/8
12.3	3200145	1	POPPET
12.4	3200229	1	SOLENOID
12.5	5830058	1	O-RING, 002
12.6	9200149	1	CABLE ASSEMBLY, MODIFIED
13	9200147	1	MODIFIED 1/4 TUBE TO 1/8 NPT
14	9200233	1	ELBOW, MOD. BRASS NPT-POLY, 1/8-1/4

VMAC – Vehicle Mounted Air Compressors

Toll Free: 1-800-738-8622

Local: 1-250-740-3200

Fax: 1-250-740-3201

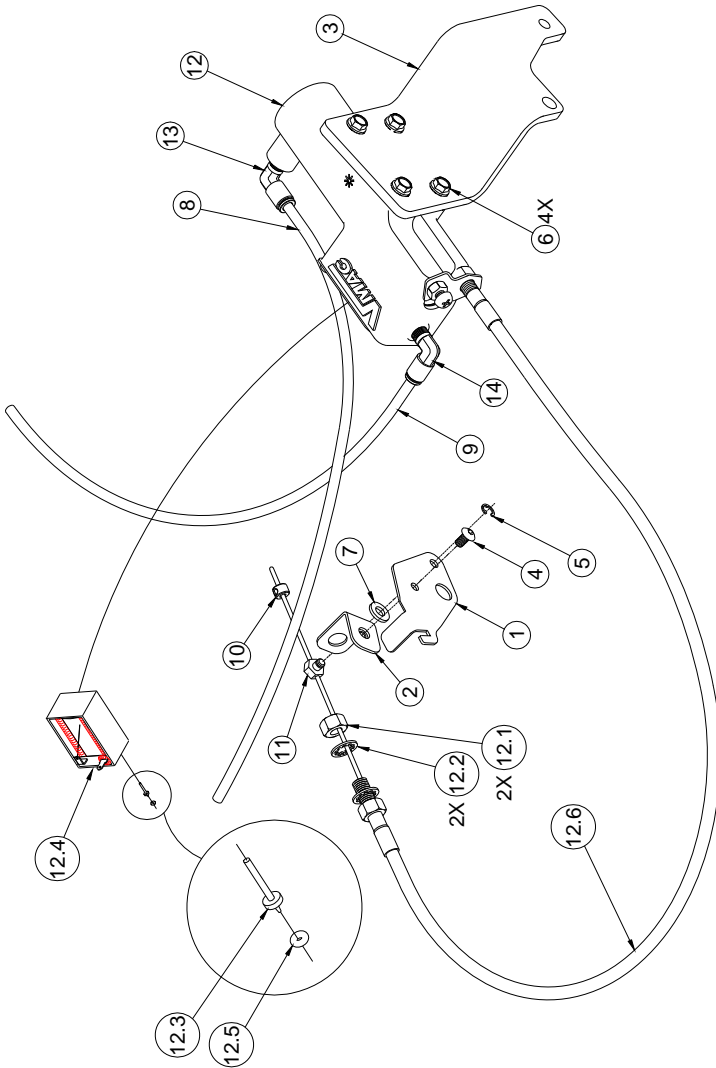


Figure 9 - Throttle Control, FORD V8 TRI 5.4L

10 – Cooler Assembly, 4800219

Item #	Part #	Qty	Description
1	1710433	1	HOSE, RAD TO COOLER,HOSE MODIFIED
2	2200026	2	CLAMP, HOSE HS28
3	9200179	1	COOLER, ASSEMBLY

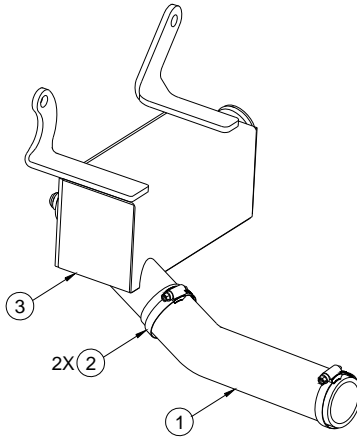


Figure 10 - Cooler Assembly

VMAC – Vehicle Mounted Air Compressors

Toll Free: 1-800-738-8622

Local: 1-250-740-3200

Fax: 1-250-740-3201

11 – Elbow Assembly, 4800396

Item #	Part #	Qty	Description
1	1900830	1	BULLETIN, HOSE BARB, V900051/52
2	3200263	1	ELBOW, MODIFIED
3	4300076	1	PIPE FTG, PLUG SKT HEAD, 1/8
4	5000054	1	CONNECTOR, BRASS NPT-HOSE, 1/8-1/4

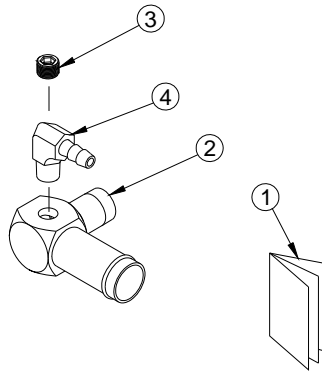


Figure 11 - Elbow Assembly