

# Illustrated Parts List for VMAC System V900086

## INTERNATIONAL DT466 4300-4400 2005-2007

|  |    |
|--|----|
| 1 - Kit Pack List .....                                    | 2  |
| 2 - Fastener Pack, 3800539.....                            | 4  |
| 3 - Compressor Assembly, P120100 .....                     | 8  |
| 4 - Compressor Sub Components, P120004 .....               | 10 |
| 5 - Inlet Valve Sub Components, 9200419 .....              | 11 |
| 6 - Front Tank Bracket Assembly, 4800452.....              | 12 |
| 7 - Rear Tank Bracket Assembly, 4800453 .....              | 13 |
| 8 - VR70 Tank, 9200380 .....                               | 14 |
| 9 - Idler Bracket Assembly, 4800450 .....                  | 16 |
| 10 - Cooler Assembly, 4800454.....                         | 17 |
| 11 - Coolant Tube Assembly, 4800455.....                   | 18 |
| 12 – Adaptor Kit, 2005-2007 (if Horton fan), A900005 ..... | 19 |
| 13 – Fastener Pack, 3800553 (Figure 13) .....              | 19 |
| 14 – Fastener Pack Bracket, 3800554.....                   | 20 |
| 15 – Fastener Pack Fan, 3800555.....                       | 20 |
| 16 – Bracket Adaptor Assembly, 4800462.....                | 20 |
| 17 – Adaptor Kit, 2005-2007 Model Year, A700056 .....      | 21 |
| 18 – Air Brake Pressure Switch, 4800161 .....              | 21 |

### Document 1930115

### Changes and Revisions

| Version | Revision Details        | Revised by/date | Approved by/date | Implemented |
|---------|-------------------------|-----------------|------------------|-------------|
| -       | New Format              | YBD/15DEC05     | SM/16DEC05       | 22DEC2005   |
| A       | ECN 06-114              | YBD/16JUN06     | TG/23JUN06       | 27JUN2006   |
| B       | ECN 06-151              | YBD/14JUL06     | SM/18JUL06       | 21JUL2006   |
| C       | ECN 06-220 Coal. Spring | IB 22 Apr 2007  | SH 23 Apr 2007   | 27 Apr 2007 |

### **VMAC – Vehicle Mounted Air Compressors**

Toll Free: 1-800-738-8622

Local: 1-250-740-3200

Fax: 1-250-740-3201

## 1 - Kit Pack List

| Item # | Part #  | Qty | Description                         |
|--------|---------|-----|-------------------------------------|
| 1      | 1200325 | 1   | BRACKET, CONTROL PANEL              |
| 2      | 1200473 | 1   | BRACKET, P/S BOTTLE                 |
| 3      | 1610336 | 1   | BELT, K060874                       |
| 4      | 1720618 | 1   | ELBOW, 90 DEG, 2 1/4 OD             |
| 5      | 1730124 | 1   | HOSE, CRIMPED, 1/4" X 124"          |
| 6      | 1740124 | 1   | HOSE, CRIMPED, 5/16" X 124"         |
| 7      | 1752058 | 1   | HOSE, CRIMPED, 1/2" X 58"           |
| 8      | 1752112 | 1   | HOSE, CRIMPED, 1/2" X 112"          |
| 9      | 1781087 | 1   | HOSE, CRIMPED, 1" X 87"             |
| 10     | 1800196 | 1   | CRANK PULLEY, INT. DT466 4300/4600  |
| 11     | 1930060 | 1   | MANUAL, OWNERS GENERIC, VR70 & 140  |
| 12     | 1930087 | 1   | MANUAL, INSTALLATION                |
| 13     | 1930115 | 1   | ILLUSTRATED PARTS LIST              |
| 14     | 2200105 | 2   | CLAMP, MOUNTING BRACKET C, 6        |
| 15     | 3550388 | 1   | CONTROL BOX, VR70                   |
| 16     | 3550660 | 1   | INTERFACE CABLE                     |
| 17     | 3550675 | 1   | DDC, OV-P/N, DURAMAX                |
| 18     | 3560098 | 1   | TC, INT'L DT466, 43-4400, 2005      |
| 19     | 3800539 | 1   | FAST PACK, V900086                  |
| 20     | 4800413 | 1   | SYSTEM OPERATION INSTRUCTION AND ID |
| 21     | 4800450 | 1   | ASSEMBLY, BRACKET, IDLER            |
| 22     | 4800452 | 1   | BRACKET, FRONT TANK ASSEMBLY        |
| 23     | 4800453 | 1   | BRACKET, REAR TANK ASSEMBLY         |
| 24     | 4800454 | 1   | ASSEMBLY, COOLER                    |
| 25     | 4800455 | 1   | ASSEMBLY, COOLANT TUBE              |
| 26     | 9200380 | 1   | TANK, VR70 DRESSED INT OIL FILTER   |
| 27     | A700091 | 1   | OIL, VR, 1L, HIGH PERFORMANCE       |
| 28     | A700094 | 1   | OIL, VR, 4L, HIGH PERFORMANCE       |
| 29     | P120100 | 1   | COMPRESSOR ASSEMBLY                 |

**VMAC – Vehicle Mounted Air Compressors**

Toll Free: 1-800-738-8622

Local: 1-250-740-3200

Fax: 1-250-740-3201

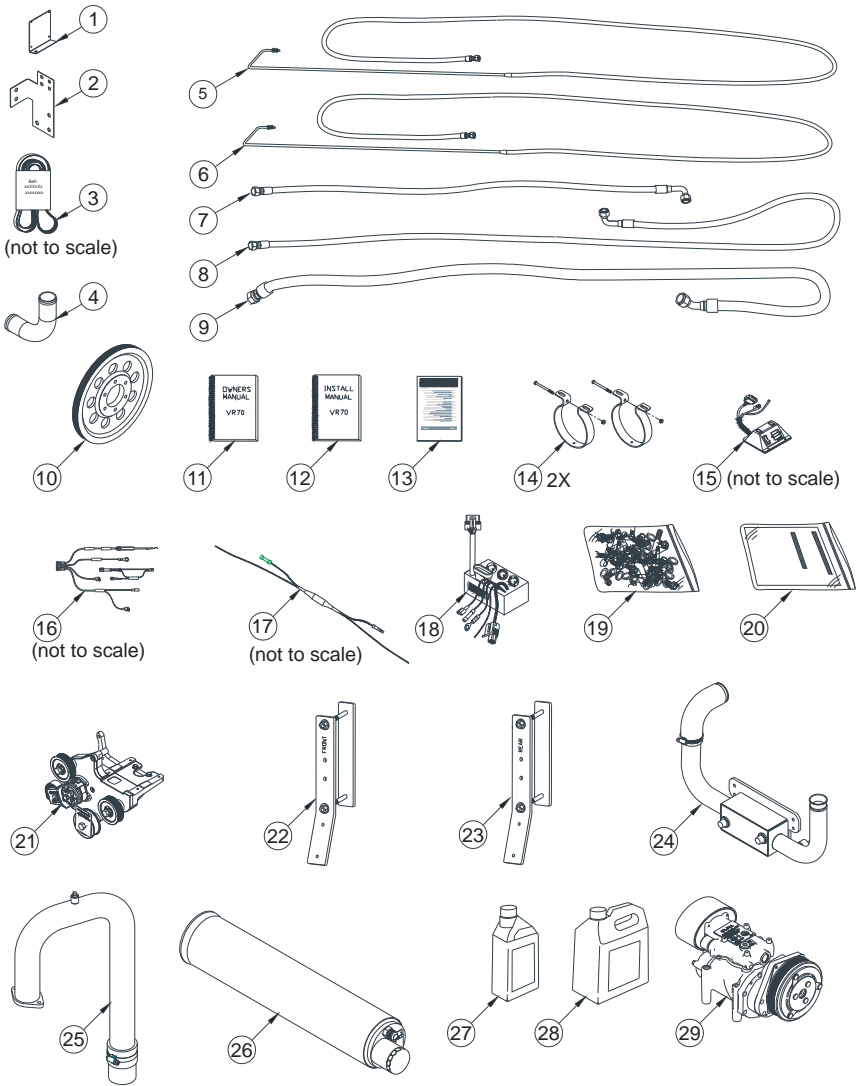


Figure 1 - Kit Pack List

2 - Fastener Pack, 3800539

| Item # | Part #  | Qty | Description                          |
|--------|---------|-----|--------------------------------------|
| 1      | 3800353 | 1   | FASTENER PACK, CONTROL PANEL BRACKET |
| 1.1    | 1500499 | 4   | SCREW, PHILLIPS PH, 8 - 32 X 3/8     |
| 2      | 3800540 | 1   | FASTENER PACK, MAIN BRACKET          |
| 2.1    | 1400274 | 1   | SPACER                               |
| 2.2    | 1400275 | 1   | SPACER                               |
| 2.3    | 1520513 | 2   | BOLT, HHCS G10.9, M8 X 1.25 X 30     |
| 2.4    | 1540495 | 4   | BOLT, SHCS, M8 X 1.25 X 100, G12.9   |
| 2.5    | 1540550 | 2   | BOLT, SHCS, M8 X 1.25 X 50, G12.9    |
| 2.6    | 1560508 | 4   | NUT, W/DBL SER WASHER, M8 X 1.25     |
| 2.7    | 1570067 | 4   | WASHER, SAE, 5/16                    |
| 3      | 3800541 | 1   | FASTENER PACK, CRANK PULLEY          |
| 3.1    | 1520060 | 6   | BOLT, HHCS G10.9, M10 X 1.5 X 40     |
| 3.2    | 1570044 | 6   | WASHER, ALLOY PL SAE, 3/8            |
| 4      | 3800542 | 1   | FASTENER PACK, COOLER                |
| 4.1    | 1520090 | 2   | BOLT, HHCS G10.9, M10 X 1.5 X 30     |
| 4.2    | 1560037 | 2   | NUT, PL, M10 X 1.5                   |
| 4.3    | 1570044 | 2   | WASHER, ALLOY PL SAE, 3/8            |
| 4.4    | 1710711 | 1   | HOSE, HEATER, 3/4 X 40" (1700177)    |
| 4.5    | 2200002 | 3   | CLAMP, HOSE MH-10                    |
| 4.6    | 5300043 | 1   | CONNECTOR, TEE NYLON, 3/4            |
| 5      | 3800543 | 1   | FASTENER PACK, TANK MOUNT            |
| 5.1    | 1510003 | 4   | BOLT, HHCS NC G8 PL, 5/16 X 1        |
| 5.2    | 1550066 | 4   | NUT, HEX NC, 5/16                    |
| 5.3    | 1570067 | 6   | WASHER, SAE, 5/16                    |
| 6      | 3800544 | 1   | FASTENER PACK, TANK BRACKET FRONT    |
| 6.1    | 1520158 | 2   | BOLT, HHCS G10.9, M12 X 1.75 X 45    |
| 6.2    | 1560215 | 2   | NUT, HEX PL, M12                     |
| 6.3    | 1570102 | 2   | WASHER, FLAT SAE, 1/2                |

**VMAC – Vehicle Mounted Air Compressors**

Toll Free: 1-800-738-8622

Local: 1-250-740-3200

Fax: 1-250-740-3201

2 - Fastener Pack, 3800539 (Cont.)

| Item # | Part #  | Qty | Description                         |
|--------|---------|-----|-------------------------------------|
| 7      | 3800545 | 1   | FASTENER PACK, TANK BRACKET REAR    |
| 7.1    | 1520538 | 2   | BOLT, HHCS, FLHD, M10 X 1.50 X 35   |
| 7.2    | 1560037 | 2   | NUT, PL, M10 X 1.5                  |
| 7.3    | 1570044 | 2   | WASHER, ALLOY PL SAE, 3/8           |
| 8      | 3800546 | 1   | FASTENER PACK, COOLANT PIPE         |
| 8.1    | 1200474 | 1   | BRACKET, COOLANT PIPE               |
| 8.2    | 1510177 | 2   | BOLT, HHCS NC G8 PL, 1/4 X 1        |
| 8.3    | 1520147 | 1   | BOLT, HHCS G8.8,M8 X 1.25 X 20 FULL |
| 8.4    | 1540134 | 2   | BOLT, SHCS, M8 X 1.25 X 30, G12.9   |
| 8.5    | 1550029 | 2   | NUT, NYLOCK NC, 1/4                 |
| 8.6    | 1570038 | 2   | WASHER, FLAT SAE, 1/4               |
| 8.7    | 1570067 | 1   | WASHER, SAE, 5/16                   |
| 8.8    | 2200158 | 6   | CLAMP, HOSE HS40                    |
| 8.9    | 2200161 | 1   | CLAMP, MODIFIED                     |
| 8.10   | 2200168 | 1   | CLAMP, STRAP 2 3/8                  |
| 9      | 3800557 | 1   | FASTENER PACK, FAN SPACER           |
| 9.1    | 3400062 | 1   | SPACER, 466 FAN                     |

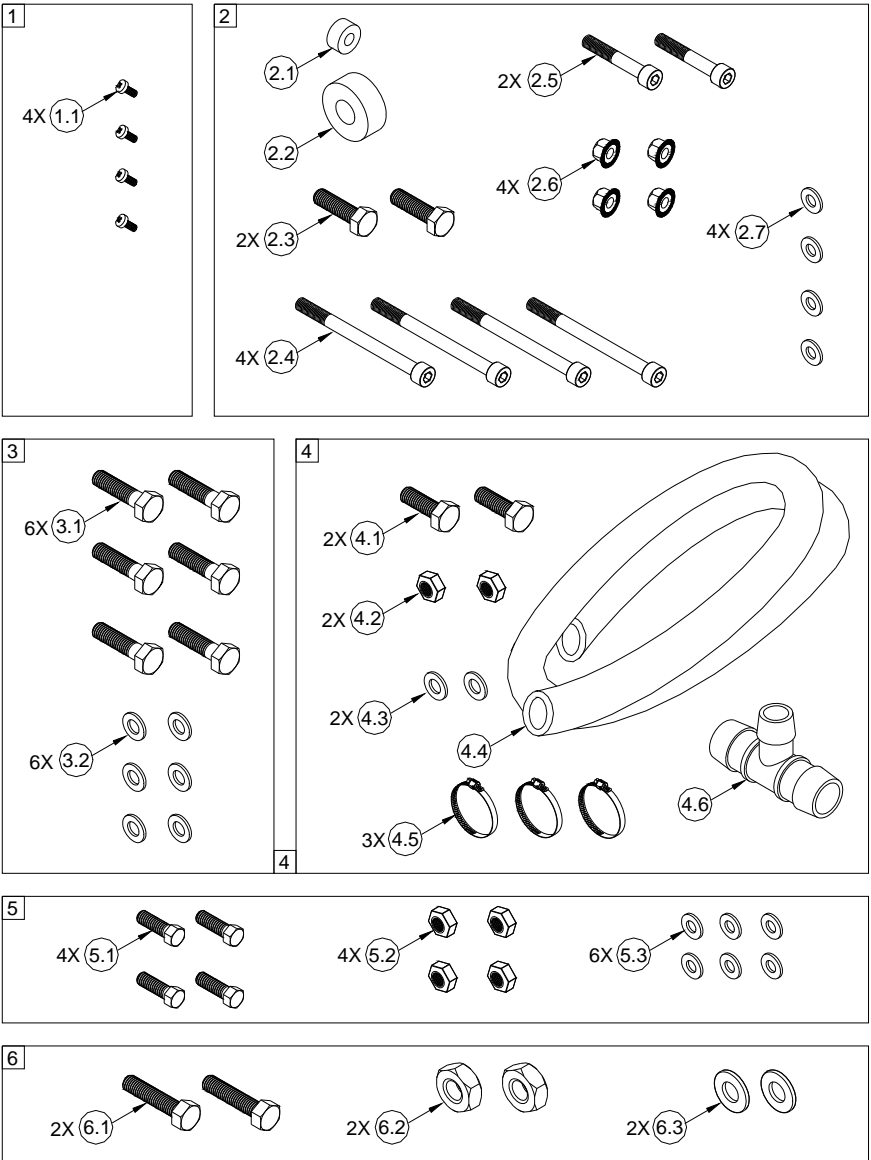


Figure 2 – Fastener Packs

**VMAC – Vehicle Mounted Air Compressors**

Toll Free: 1-800-738-8622

Local: 1-250-740-3200

Fax: 1-250-740-3201

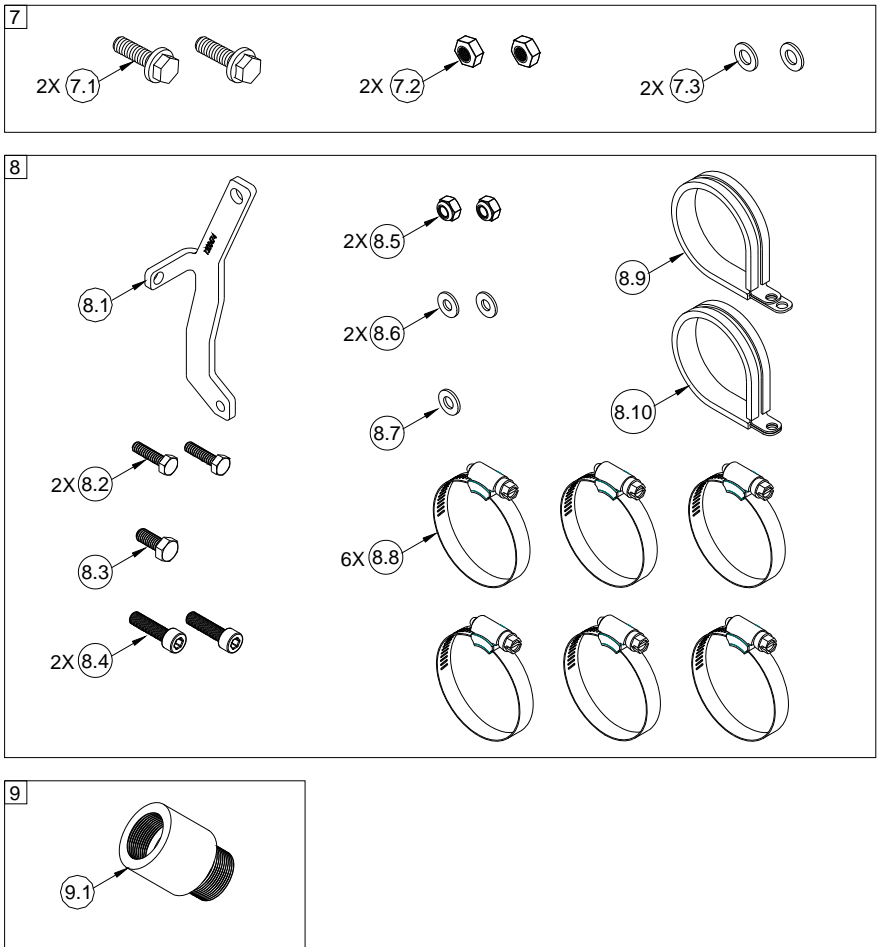


Figure 2 – Fastener Packs

### 3 - Compressor Assembly, P120100

| Item # | Part #  | Qty | Description                          |
|--------|---------|-----|--------------------------------------|
| 1      | 1540521 | 4   | BOLT, SHCS, M8 X 1.25 X 110          |
| 2      | 1540530 | 2   | BOLT, SHCS, M8 X 1.25 X 55, G12.9    |
| 3      | 1540550 | 2   | BOLT, SHCS, M8 X 1.25 X 50, G12.9    |
| 4      | 3500288 | 1   | SENSOR, PRESSURE                     |
| 5      | 4300076 | 1   | PIPE FTG, PLUG SKT HEAD, 1/8         |
| 6      | 4900002 | 1   | ELBOW, STEEL JIC/O-RING, 1/2 3/4-16  |
| 7      | 4900045 | 1   | PLUG, STEEL HEX SAE/O-RING PORT      |
| 8      | 5000081 | 1   | ELBOW, BRASS NPT-TUBE, 1/8-5/16      |
| 9      | 5000085 | 1   | ELBOW, BRASS NPT-SAE 45 DEG, 1/8-1/4 |
| 10     | 5000112 | 1   | ELBOW, BRASS STREET 45 DEG, 1/8      |
| 11     | 5830004 | 1   | O-RING, VITON, 3 1/8 ID X 1/8        |
| 12     | 5830132 | 1   | O-RING, VITON, #8 ORB                |
| 13     | 9200419 | 1   | INLET VALVE, BASIC INTEGRATED REG.   |
| 14     | P120004 | 1   | VR70 COMPRESSOR ASSEMBLY             |

**VMAC – Vehicle Mounted Air Compressors**

Toll Free: 1-800-738-8622

Local: 1-250-740-3200

Fax: 1-250-740-3201



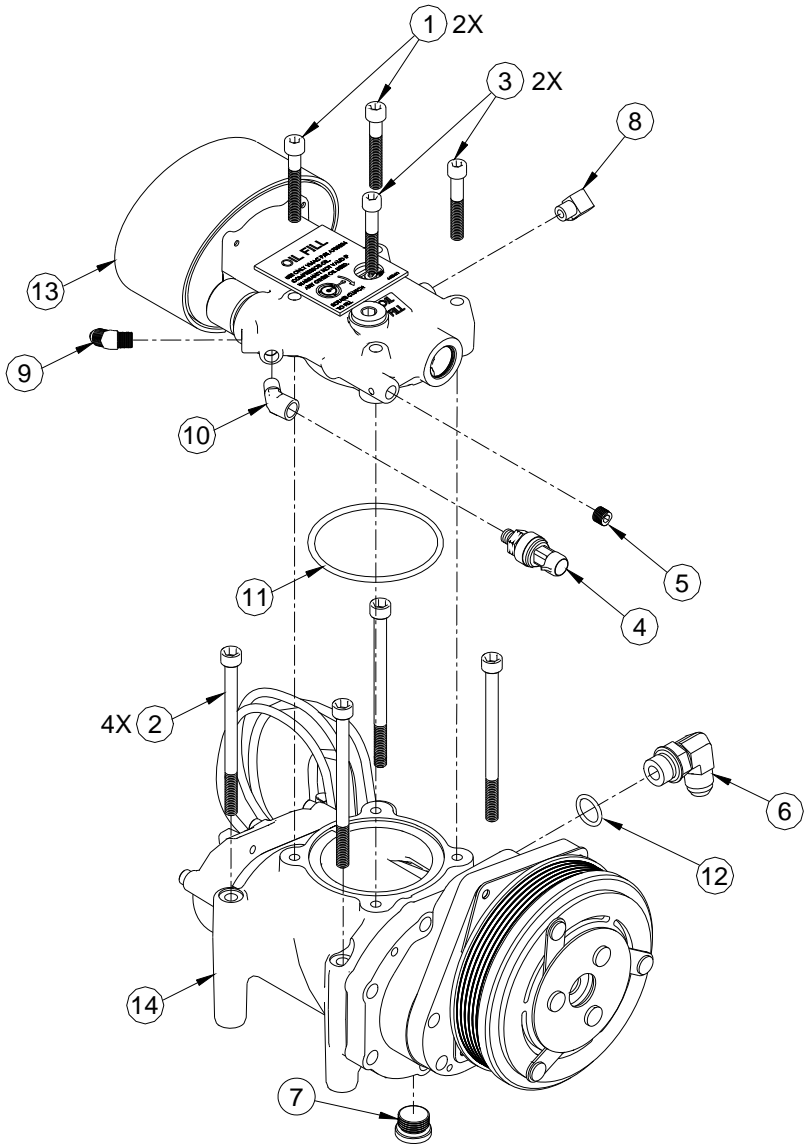


Figure 3 – Compressor Assembly

#### 4 - Compressor Sub Components, P120004

| Item # | Part #  | Qty | Description             |
|--------|---------|-----|-------------------------|
| 1      | 3550682 | 1   | TEMPERATURE PROBE       |
| 2      | P200035 | 1   | CLUTCH COMPLETE 6 GROVE |

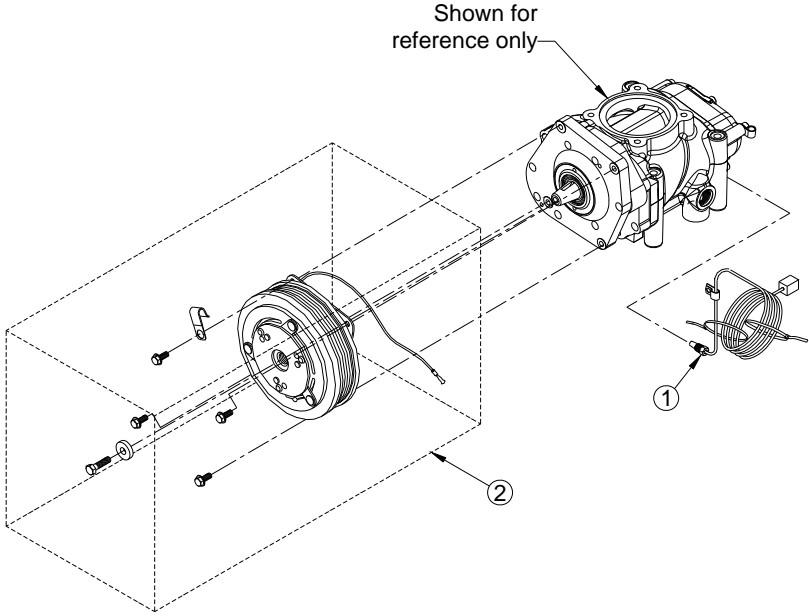


Figure 4– Compressor Sub Components

**VMAC – Vehicle Mounted Air Compressors**  
 Toll Free: 1-800-738-8622  
 Local: 1-250-740-3200  
 Fax: 1-250-740-3201

## 5 - Inlet Valve Sub Components, 9200419

| Item # | Part #  | Qty | Description                       |
|--------|---------|-----|-----------------------------------|
| 1      | 3600046 | 1   | REGULATOR VALVE                   |
| 2      | 4900045 | 1   | PLUG                              |
| 3      | 5830002 | 1   | O-RING, VITON, 2 3/8 ID X 3/32    |
| 4      | 5830129 | 1   | O-RING, VITON, 1 7/8 ID X 3/16    |
| 5      | A700049 | 1   | FILTER KIT ASSEMBLY               |
| 5.1    | 1500077 | 4   | SCREW, BUTTON HEAD, 10 - 32 X 3/8 |
| 5.2    | 1500519 | 1   | ROD, THREADED, 1/4 X 2.62         |
| 5.3    | 1550029 | 1   | NUT, NYLOCK NC, 1/4               |
| 5.4    | 1550221 | 1   | NUT, HEX NC PL, 1/4, GR8          |
| 5.5    | 1570038 | 1   | WASHER, FLAT SAE, 1/4             |
| 5.6    | 3200205 | 1   | PLATE, INNER FILTER               |
| 5.7    | 3600037 | 1   | ELEMENT, FILTER, PAPER            |
| 5.8    | 3600066 | 1   | COVER, AIR FILTER, PLASTIC        |
| 5.9    | 5830070 | 1   | O-RING, VITON, 2 9/16 ID X 3/32   |

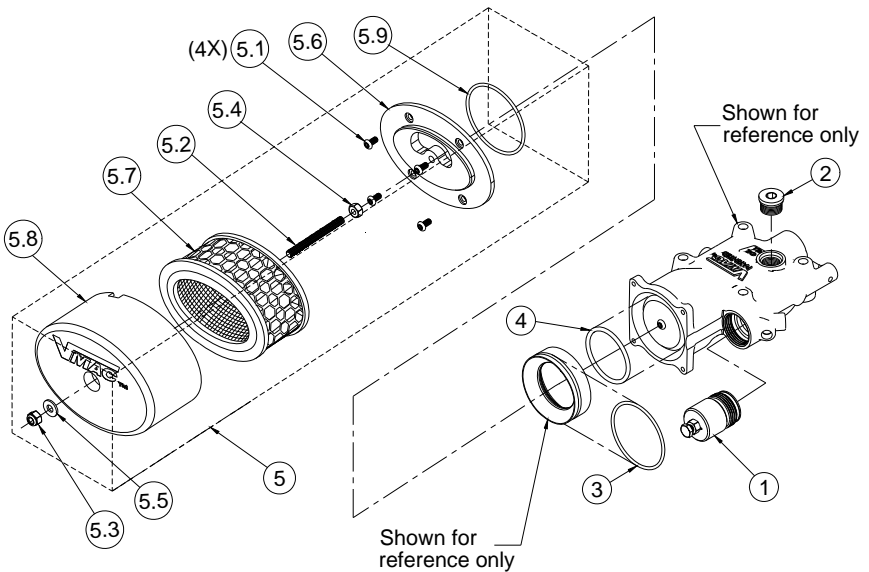


Figure 5 – Inlet Valve Sub Components

**VMAC – Vehicle Mounted Air Compressors**

Toll Free: 1-800-738-8622

Local: 1-250-740-3200

Fax: 1-250-740-3201

## 6 - Front Tank Bracket Assembly, 4800452

| Item # | Part #  | Qty | Description                  |
|--------|---------|-----|------------------------------|
| 1      | 1200472 | 1   | BRACKET, FRONT TANK MOUNT    |
| 2      | 1200475 | 1   | BRACKET, BACKING STRAP       |
| 3      | 1510530 | 2   | BOLT, HHCS NC G8 PL, 1/2 X 5 |
| 4      | 1550216 | 2   | NUT, NC G8 PL, 1/2           |
| 5      | 1570102 | 4   | WASHER, FLAT SAE, 1/2        |

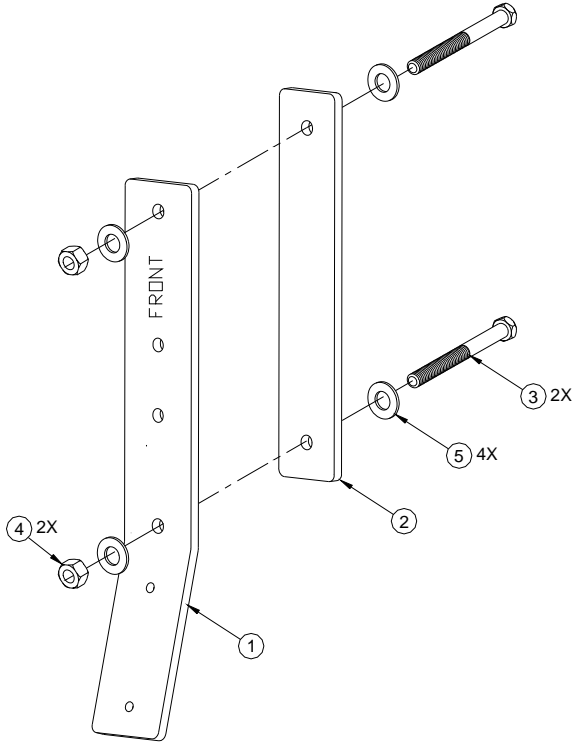


Figure 6 – Front Tank Bracket Assembly

**VMAC – Vehicle Mounted Air Compressors**

Toll Free: 1-800-738-8622

Local: 1-250-740-3200

Fax: 1-250-740-3201

## 7 - Rear Tank Bracket Assembly, 4800453

| Item # | Part #  | Qty | Description                  |
|--------|---------|-----|------------------------------|
| 1      | 1200471 | 1   | BRACKET, REAR TANK MOUNT     |
| 2      | 1200475 | 1   | BRACKET, BACKING STRAP       |
| 3      | 1510530 | 2   | BOLT, HHCS NC G8 PL, 1/2 X 5 |
| 4      | 1550216 | 2   | NUT, NC G8 PL, 1/2           |
| 5      | 1570102 | 4   | WASHER, FLAT SAE, 1/2        |

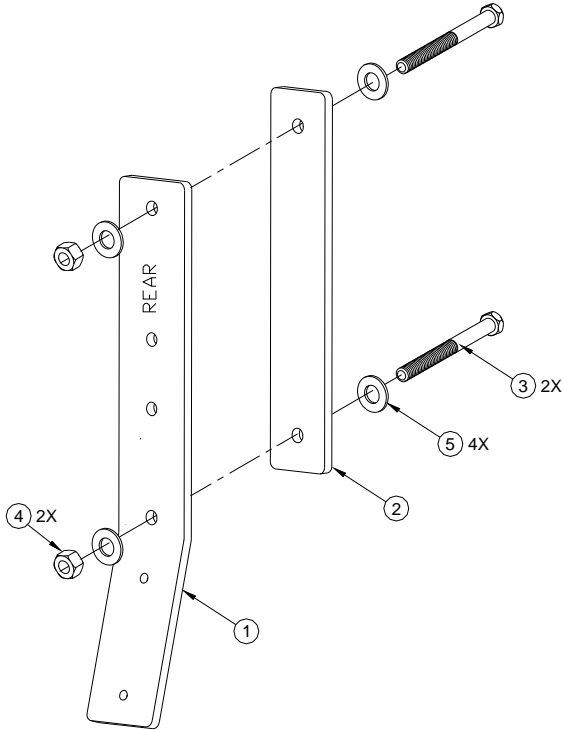


Figure 7 – Back Tank Bracket Assembly

**VMAC – Vehicle Mounted Air Compressors**

Toll Free: 1-800-738-8622

Local: 1-250-740-3200

Fax: 1-250-740-3201

8 - VR70 Tank, 9200380

| Item # | Part #  | Qty | Description                          |
|--------|---------|-----|--------------------------------------|
| 1      | 1510086 | 6   | BOLT, HHCS NC G5 FL LK, 3/8 X 1      |
| 2      | 1510522 | 2   | BOLT, HHCS NC G8 FL LK PL, 1/4 X 1/2 |
| 3      | 3200231 | 1   | COVER, SIGHT GLASS                   |
| 4      | 3600036 | 1   | ELEMENT, SEP, COALESING              |
| 5      | 3600064 | 1   | SEAL, TANK REAR CAP                  |
| 6      | 3600090 | 1   | THIMBLE, SCREEN                      |
| 7      | 4900033 | 1   | CONNECTOR, STEEL NPT-JIC, 3/4-3/4    |
| 8      | 4900035 | 1   | NIPPLE, STEEL STR THRD, 3/4 - 16     |
| 9      | 4900106 | 1   | PLUG, STEEL, #5 ORB HEX              |
| 10     | 5000089 | 1   | CONNECTOR, BRASS NPT-SAE, 3/8 - 1/2  |
| 11     | 5830066 | 1   | O-RING, VITON, 4 3/4 ID X 1/8        |
| 12     | 5840069 | 1   | SPRING, COMPRESSION, FL 1.5", OD .54 |
| 13     | 5840078 | 1   | SPRING, WAVE                         |
| 14     | 9200039 | 1   | OIL FILTER, VR 3.250 SHORT           |
| 15     | 9200364 | 1   | ASSEMBLY, BLOWDOWN CAP               |
| 15.1   | 3600054 | 1   | VALVE, SAFETY 200 PSI                |
| 15.2   | 4500104 | 1   | MUFFLER, SINTERED EXHAUST            |
| 16     | A700061 | 1   | SIGHT GLASS ASSEMBLY                 |

**VMAC – Vehicle Mounted Air Compressors**

Toll Free: 1-800-738-8622

Local: 1-250-740-3200

Fax: 1-250-740-3201

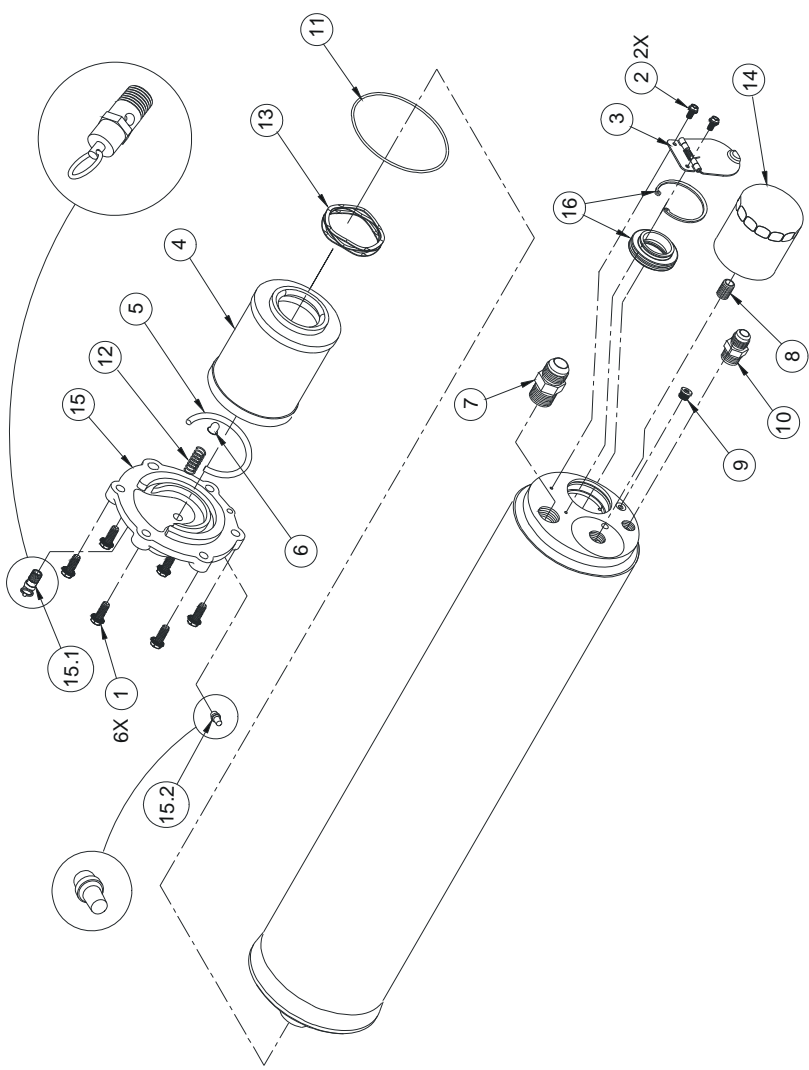


Figure 8 - VR70 Tank

## 9 - Idler Bracket Assembly, 4800450

| Item # | Part #  | Qty | Description                            |
|--------|---------|-----|--|
| 1      | 1100170 | 1   | BRACKET, MAIN                          |
| 2      | 1200470 | 1   | BRACKET, ATTACHMENT                    |
| 3      | 1300030 | 2   | IDLER, SERP, 6 GROOVE, FLANGE, 90MM    |
| 4      | 1300031 | 1   | IDLER, SERP, BACK, FLANGE, 90MM        |
| 5      | 1400051 | 3   | SPACER, IDLER - BOLT                   |
| 6      | 1510161 | 3   | BOLT, HHCS NC G8 FL, 1/2 X 1 1/4       |
| 7      | 1520210 | 1   | BOLT, HHCS G10.9, M10 X 1.5 X 80       |
| 8      | 1520556 | 2   | BOLT, HHCS G10.9, M8X1.25X25 FULL, PLT |
| 9      | 1570044 | 1   | WASHER, ALLOY PL SAE, 3/8              |
| 10     | 1570067 | 2   | WASHER, SAE, 5/16                      |
| 11     | 3300029 | 1   | TENSIONER                              |
| 12     | 4400463 | 1   | LABEL, FASTENERS NOT TIGHTENED         |

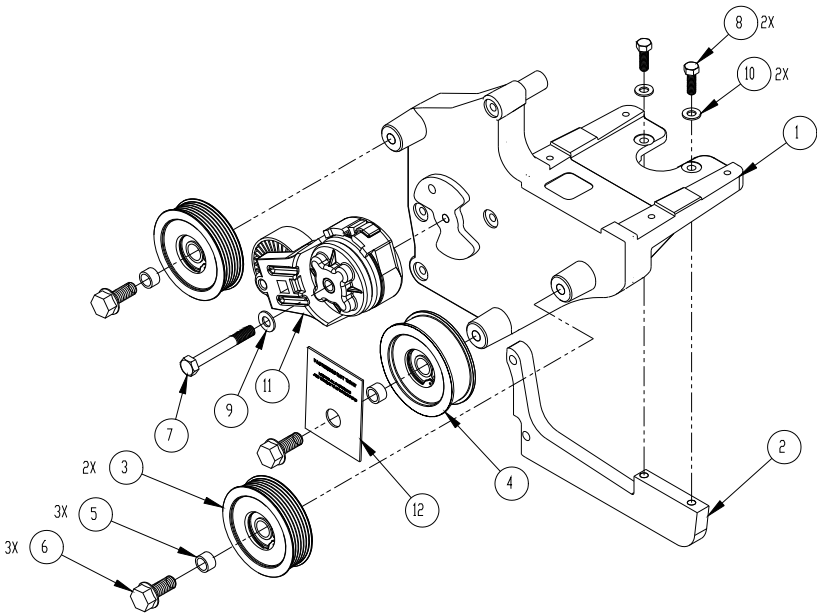


Figure 9 – Idler Bracket Assembly

**VMAC – Vehicle Mounted Air Compressors**

Toll Free: 1-800-738-8622

Local: 1-250-740-3200

Fax: 1-250-740-3201



## 10 - Cooler Assembly, 4800454

| Item # | Part #  | Qty | Description                         |
|--------|---------|-----|-------------------------------------|
| 1      | 1710694 | 1   | HOSE, RAD MODIFIED (1700566)        |
| 2      | 2200158 | 1   | CLAMP, HOSE HS40                    |
| 3      | 5000016 | 1   | CONNECTOR, BRASS HOSE BARB, 3/4-3/4 |
| 4      | 9200398 | 1   | COOLER                              |

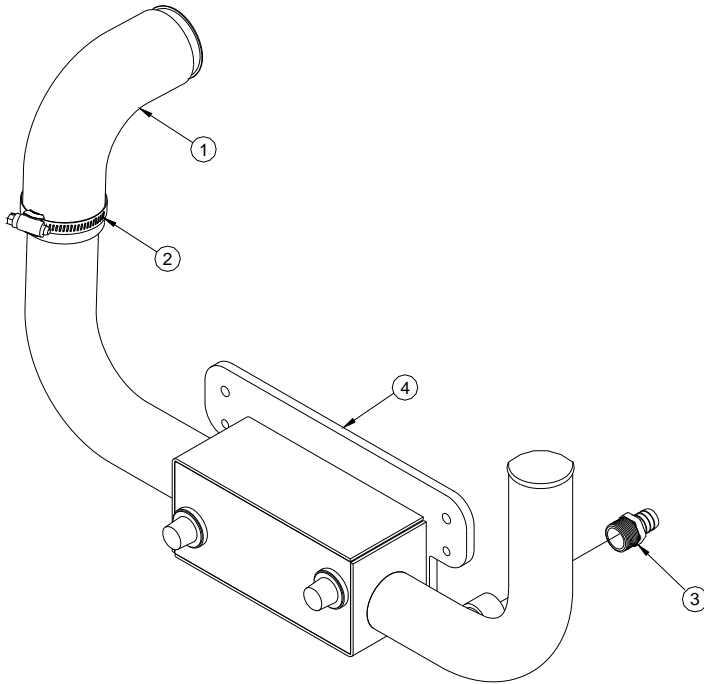


Figure 10 - Cooler Assembly

# 11 - Coolant Tube Assembly, 4800455

| Item # | Part #  | Qty | Description                           |
|--------|---------|-----|---------------------------------------|
| 1      | 1700567 | 1   | HOSE, COOLANT, STEP DOWN 2 1/4"-2 1/2 |
| 2      | 1720617 | 1   | TUBE, COOLANT                         |
| 3      | 2200158 | 1   | CLAMP, HOSE HS40                      |
| 4      | 4300043 | 1   | PIPE FTG, PLUG SQ HEAD, 1/4           |

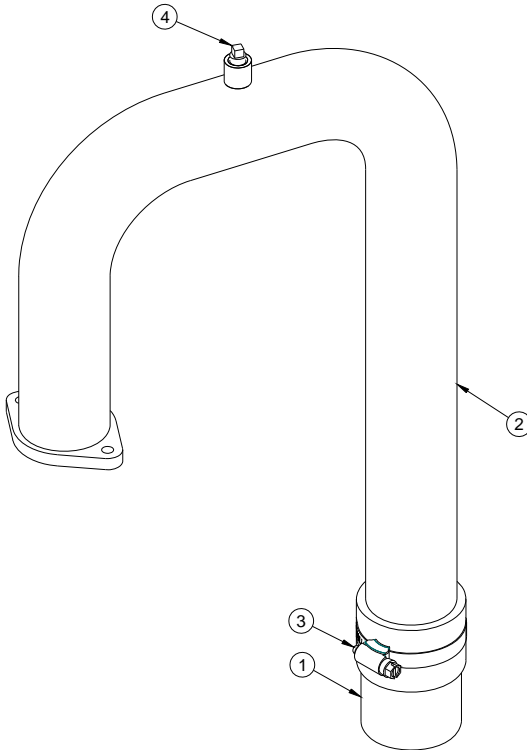


Figure 11 - Coolant Tube Assembly

**VMAC – Vehicle Mounted Air Compressors**

Toll Free: 1-800-738-8622

Local: 1-250-740-3200

Fax: 1-250-740-3201

12 – Adaptor Kit, 2005-2007 (if Horton fan), A900005

| Item # | Part #  | Qty | Description                   |
|--------|---------|-----|-------------------------------|
| 1      | 1650358 | 1   | BELT, 5060935, 93.5"          |
| 2      | 1900866 | 1   | INSTALL INSTRUCTIONS, A900005 |
| 3      | 3400060 | 1   | SPACER, FAN                   |
| 4      | 3800553 | 1   | FASTENER PACK, A900005        |
| 5      | 4800462 | 1   | ASSEMBLY, BRACKET ADAPTOR     |

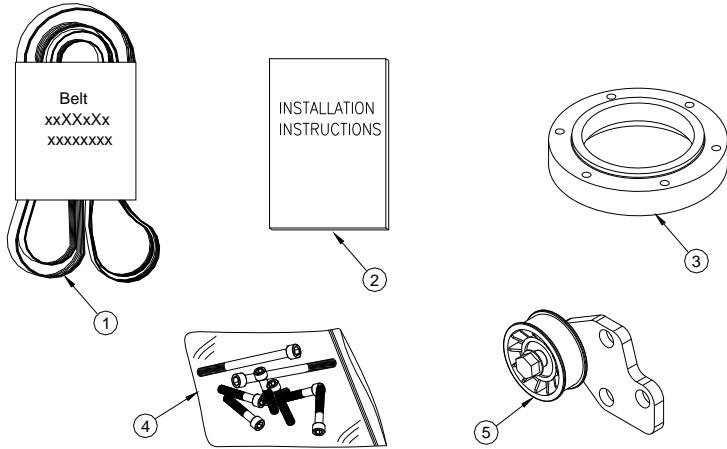


Figure 12 - Adaptor Kit, 2005-2007 (Horton fan)

13 – Fastener Pack, 3800553 (Figure 13)

| Item # | Part #  | Qty | Description            |
|--------|---------|-----|------------------------|
| 1      | 3800554 | 1   | FASTENER PACK, BRACKET |
| 2      | 3800555 | 1   | FASTENER PACK, FAN     |

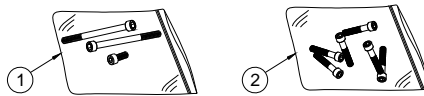


Figure 13 - Fastener Pack

**VMAC – Vehicle Mounted Air Compressors**

Toll Free: 1-800-738-8622

Local: 1-250-740-3200

Fax: 1-250-740-3201

14 – Fastener Pack Bracket, 3800554

| Item # | Part #  | Qty | Description                 |
|--------|---------|-----|-----------------------------|
| 1      | 1540521 | 2   | BOLT, SHCS, M8 X 1.25 X 110 |
| 2      | 1540526 | 1   | BOLT, SHCS, M8 X 1.25 X 20  |



Figure 14 - Fastener Pack

15 – Fastener Pack Fan, 3800555

| Item # | Part #  | Qty | Description                    |
|--------|---------|-----|--------------------------------|
| 1      | 1530384 | 6   | BOLT, SHCS NC G8, 5/16 X 1 3/4 |



Figure 15 - Fastener Pack

16 – Bracket Adaptor Assembly, 4800462

| Item # | Part #  | Qty | Description                      |
|--------|---------|-----|----------------------------------|
| 1      | 1200479 | 1   | BRACKET, IDLER                   |
| 2      | 1300009 | 1   | IDLER, SERP 7 RIB BACK           |
| 3      | 1400051 | 1   | SPACER, IDLER - BOLT             |
| 4      | 1510161 | 1   | BOLT, HHCS NC G8 FL, 1/2 X 1 1/4 |

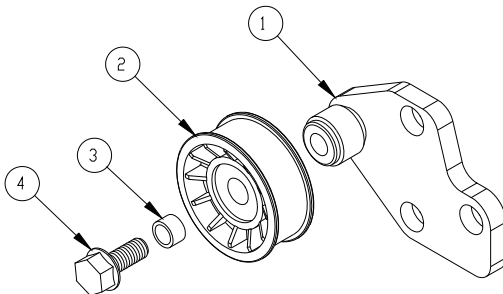


Figure 16 – Bracket Adaptor Assembly

**VMAC – Vehicle Mounted Air Compressors**

Toll Free: 1-800-738-8622

Local: 1-250-740-3200

Fax: 1-250-740-3201

17 – Adaptor Kit, 2005-2007 Model Year, A700056

| Item # | Part #  | Qty | Description                        |
|--------|---------|-----|------------------------------------|
| 1      | 1900706 | 1   | INSTALLATION INSTRUCTIONS, A700056 |
| 2      | 3550655 | 1   | JUMPER, PARK BRAKE PRESSURE SWITCH |
| 3      | 4800161 | 1   | SWITCH, AIR BRAKE PRESSURE         |

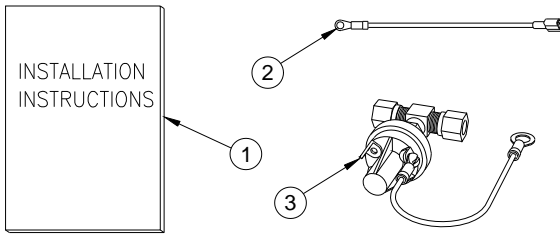


Figure 17 - Adaptor Kit, 2005-2007 Model Year

18 – Air Brake Pressure Switch, 4800161

| Item # | Part #  | Qty | Description                         |
|--------|---------|-----|-------------------------------------|
| 1      | 3500331 | 1   | SWITCH, LOW PRESS CLOSED, 60 PSI    |
| 2      | 3550680 | 1   | JUMPER, AIR BRAKE SWITCH            |
| 3      | 5000096 | 1   | CONNECTOR, BRASS COUPLING, 1/8      |
| 4      | 5000097 | 1   | CONN, BRASS T-AB 3/8 TUBE X 1/8 NPT |

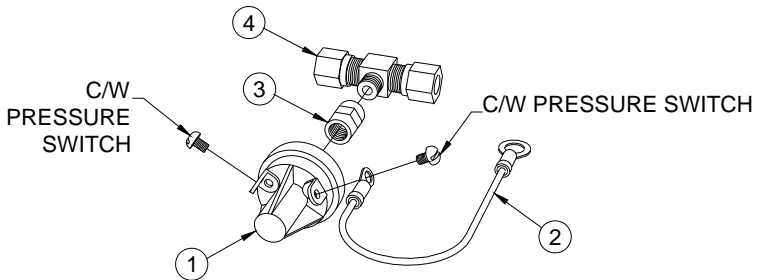


Figure 18 – Air Brake Pressure Switch

**VMAC – Vehicle Mounted Air Compressors**

Toll Free: 1-800-738-8622

Local: 1-250-740-3200

Fax: 1-250-740-3201