

Illustrated Parts List for VMAC System V910007

**2006-2007 Ford F650-F750
7.2L Caterpillar C7 Inline 6 Diesel**

1 - Kit Pack List	2
2 - Fastener Pack 3800485.....	4
3 - Compressor Assembly P140012	8
4 - Compressor Sub Components P120004.....	9
5 - Inlet Valve Sub Components 9320020	10
6 - Tank 9210039	11
7 - Main Bracket Assembly 4800433	13
8 – Cooler Assembly 4800434	14
9 – Remote Filter 4800394.....	15

NOTE: diagrams are not to scale.

Document 1930131 Changes and Revisions

Version	Revision Details	Revised	Approved	Implemented
-	New	IB 08 Jan 07	GP 25 Jan 07	29 Jan 07

VMAC – Vehicle Mounted Air Compressors

Toll Free: 1-800-738-8622 Local: 1-250-740-3200

Fax: 1-250-740-3201

1 - Kit Pack List

Item #	Part #	Qty	Description
1	1200331	2	TANK MOUNT, 3/8
2	1200332	2	BACKING STRAP, 3/8
3	1200433	1	BRACKET, ATTACHMENT
4	1200449	1	BRACKET, AIR CLEANER MOUNTING
5	1200450	1	BRACKET, VR AIR FILTER MOUNTING
6	1620353	1	BELT, K081124
7	1700557	1	HOSE, COOLANT, 2 1/4" ID X 17 13/16
8	1710663	1	HOSE, FUEL 1/2" X 23.5" (1700310)
9	1710664	1	HOSE, FUEL 1/2" X 27" (1700310)
10	1720596	1	TUBE, COOLANT
11	1720597	1	TUBE, COOLANT
12	1731174	1	HOSE, CRIMPED, 1/4" X 174"
13	1741177	1	HOSE, CRIMPED, 5/16" X 177"
14	1762057	1	HOSE, CRIMPED, 5/8" X 57"
15	1762138	1	HOSE, CRIMPED, 5/8" X 138"
16	1791130	1	HOSE, CRIMPED, 1 1/4" X 130"
17	1800190	1	CRANK PULLEY, CAT C7 VR140
18	1930060	1	MANUAL, OWNERS GENERIC, VR70 & 140
19	1930130	1	MANUAL, INSTALLATION
20	1930131	1	ILLUSTRATED PARTS LIST
21	2200149	2	CLAMP, MOUNTING BRACKET
22	3550722	1	VR CONTROL BOX, 96.0" TEMP.
23	3550738	1	INTERFACE CABLE
24	3560203	1	VRTC
25	3800485	1	FAST PACK
26	4800394	1	ASSEMBLY, REMOTE FILTER MOUNT
27	4800433	1	ASSEMBLY, MAIN BRACKET
28	4800434	1	ASSEMBLY, COOLER
29	4800483	1	VR140, SYSTEM OPERATION & ID
30	9210039	1	TANK, VR140 DRESSED
31	A700091	1	OIL, VR, 1L, HIGH PERFORMANCE
32	A700094	2	OIL, VR, 4L, HIGH PERFORMANCE
33	P140012	1	COMPRESSOR ASSEMBLY

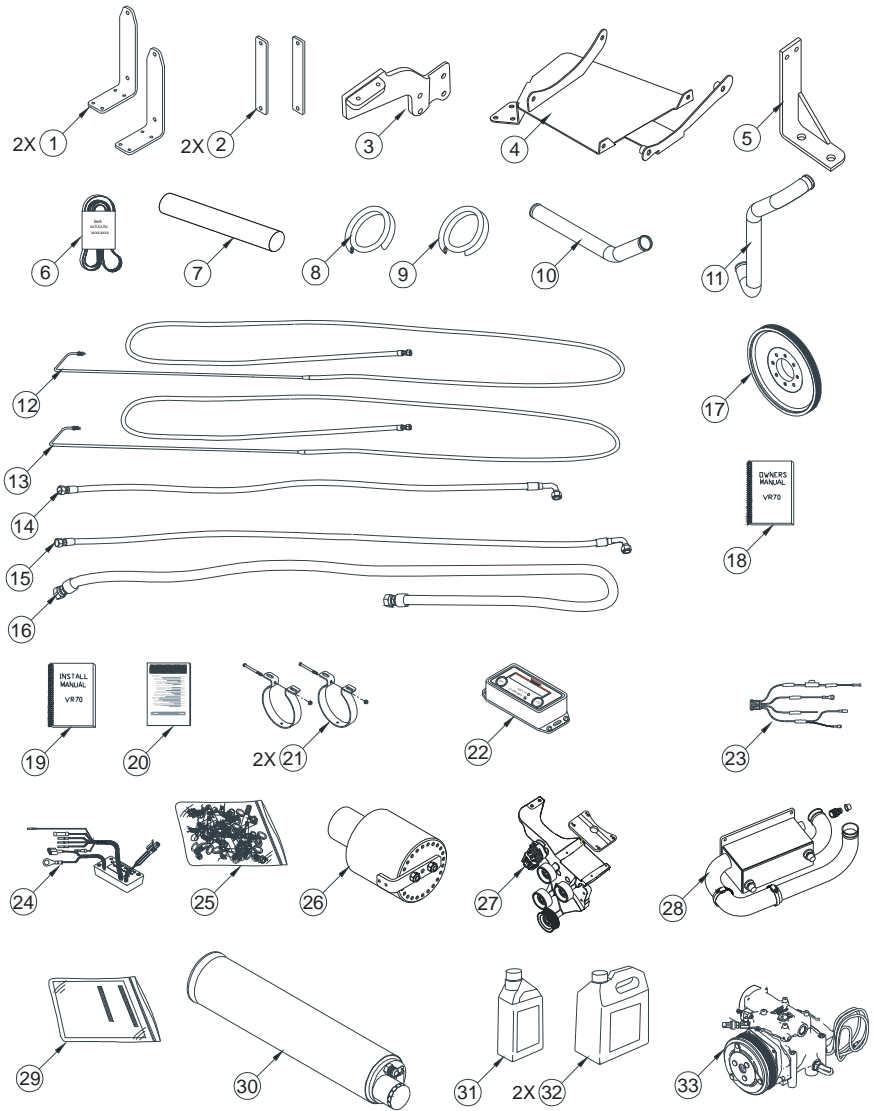


Figure 1 - Kit Pack List

VMAC – Vehicle Mounted Air Compressors

Toll Free: 1-800-738-8622 Local: 1-250-740-3200

Fax: 1-250-740-3201

2 - Fastener Pack 3800485

Item #	Part #	Qty	Description
1	3800491	1	FASTENER PACK, CRANK PULLEY
1.1	1520116	6	BOLT, HHCS G10.9, M10 X 1.5 X 100
1.2	1570044	6	WASHER, ALLOY PL SAE, 3/8
1.3	4800482	1	ADAPTOR, PULLEY ASSEMBLY
2	3800494	1	FASTENER PACK, COOLANT BOTTLE
2.1	1200434	1	BLOCK, LOWER COOLANT BOTTLE
2.2	1200435	1	BRACKET, UPPER COOLANT BOTTLE
2.3	1520513	2	BOLT, HHCS G10.9, M8 X 1.25 X 30
2.4	1520547	4	BOLT, HHCS G10.9, M8 X 1.25 X 16
2.5	1570067	4	WASHER, SAE, 5/16
3	3800495	1	FASTENER PACK, HOSE
3.1	1200448	1	BRACKET, COOLANT TUBE
3.2	1520203	1	BOLT, HHCS G10.9, M8X1.25X25 FULL
3.3	1520513	2	BOLT, HHCS G10.9, M8 X 1.25 X 30
3.4	1560407	1	NUT, NYLOCK, M8
3.5	1560508	2	NUT, W/DBL SER WASHER, M8 X 1.25
3.6	1570067	1	WASHER, SAE, 5/16
3.7	1700558	1	HOSE, RAD
3.8	1710592	1	HOSE, HEATER, 3/4 X 48" (1700177)
3.9	1710667	1	HOSE, 3/8" X 40" (1700030)
3.10	1710668	1	HOSE, RAD MODIFIED
3.11	2200001	2	CLAMP, HOSE MH-6
3.12	2200027	5	CLAMP, HOSE HS32
3.13	2200048	4	CLAMP, HOSE HS12
3.14	2200147	1	CLAMP, C R.I., 2"
3.15	2200158	1	CLAMP, HOSE HS40
3.16	5300043	1	CONNECTOR, TEE NYLON, 3/4
4	3800503	1	FASTENER PACK, AIR CLEANER
4.1	1510017	2	BOLT, HHCS NC G8 PL, 3/8 X 2 1/2
4.2	1520547	3	BOLT, HHCS G10.9, M8 X 1.25 X 16
4.3	1530253	2	BOLT, SHCS NC G8, 3/8 X 1 3/4
4.4	1550006	4	NUT, NYLOCK NC PL, 3/8
4.5	1570044	8	WASHER, ALLOY PL SAE, 3/8
4.6	1570067	3	WASHER, SAE, 5/16

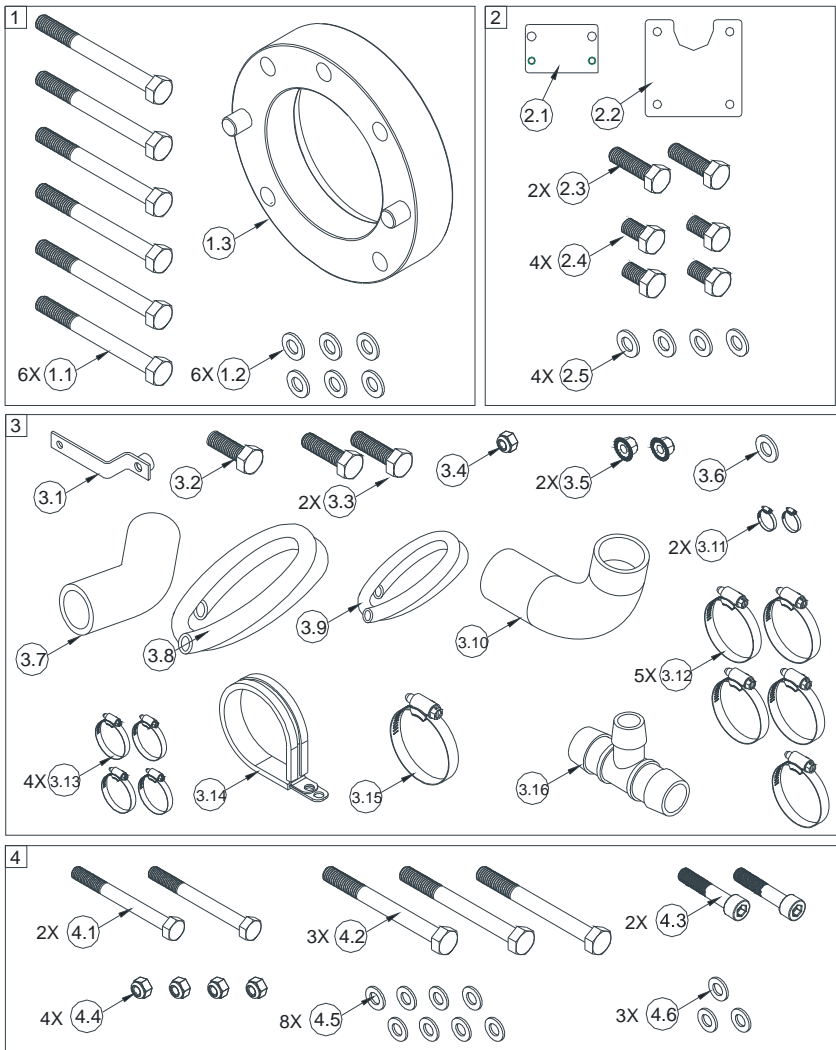


Figure 2 – Fastener Packs

Item #	Part #	Qty	Description
5	3800508	1	FAST. PACK, FUEL FILTER MOUNT
5.1	1540107	2	BOLT, SHCS, M10 X 1.5 X 50, G12.9
5.2	1540171	1	BOLT, SHCS, M10 X 1.5 X 30
5.3	1540531	1	BOLT, SHCS, M10 X 1.5 X 60, G12.9
5.4	1570044	3	WASHER, ALLOY PL SAE, 3/8
6	3800511	1	FASTENER PACK, MAIN BRACKET
6.1	1510528	2	BOLT, HHCS NC G8 FL LK, 3/8 X 1
6.2	1520522	3	BOLT, HHCS G10.9, M10 X 1.5 X 115
6.3	1520538	1	BOLT, HHCS, FLHD, M10 X 1.50 X 35
6.4	1540171	2	BOLT, SHCS, M10 X 1.5 X 30
6.5	1570044	3	WASHER, ALLOY PL SAE, 3/8
7	3800512	1	FASTENER PACK, COOLER
7.1	1520096	2	BOLT, HHCS G10.9, M10 X 1.5 X 25
7.2	1560138	2	NUT, NYLOCK PL, M10 X 1.5
7.3	1570044	2	WASHER, ALLOY PL SAE, 3/8
7.4	2200158	3	CLAMP, HOSE HS40
8	3800513	1	FASTENER PACK, COMPRESSOR
8.1	1540495	4	BOLT, SHCS, M8 X 1.25 X 100, G12.9
8.2	1570067	4	WASHER, SAE, 5/16
9	3800514	1	FASTENER PACK, TANK
9.1	1510530	4	BOLT, HHCS NC G8 PL, 1/2 X 5
9.2	1520513	4	BOLT, HHCS G10.9, M8 X 1.25 X 30
9.3	1550103	4	NUT, PREVAILING TORQUE NC, 1/2
9.4	1560407	4	NUT, NYLOCK, M8
9.5	1570102	4	WASHER, FLAT SAE, 1/2
9.6	2200150	2	CLAMP, DOUBLE TUBE STYLE 13/32
10	3800515	1	FAST PACK, VR AIR FILTER
10.1	1540538	2	BOLT, SHCS, M6 X 1.0 X 14, G8.8
10.2	1560438	2	NUT, NYLOCK, M6
10.3	1570038	2	WASHER, FLAT SAE, 1/4
10.4	1710636	1	HOSE,FLEX, SM, BORE 20"(1700550)
10.5	2200158	2	CLAMP, HOSE HS40

Item #	Part #	Qty	Description
11	3800597	1	FAST PACK, WIRING LOOM
11.1	1700029	1	LOOM, SPLIT PLASTIC, 1/2, 200"
11.2	1700068	1	LOOM, SPLIT PLASTIC, 1/4, 72"
11.3	2200039	20	TIE, NYLON MD, 7"

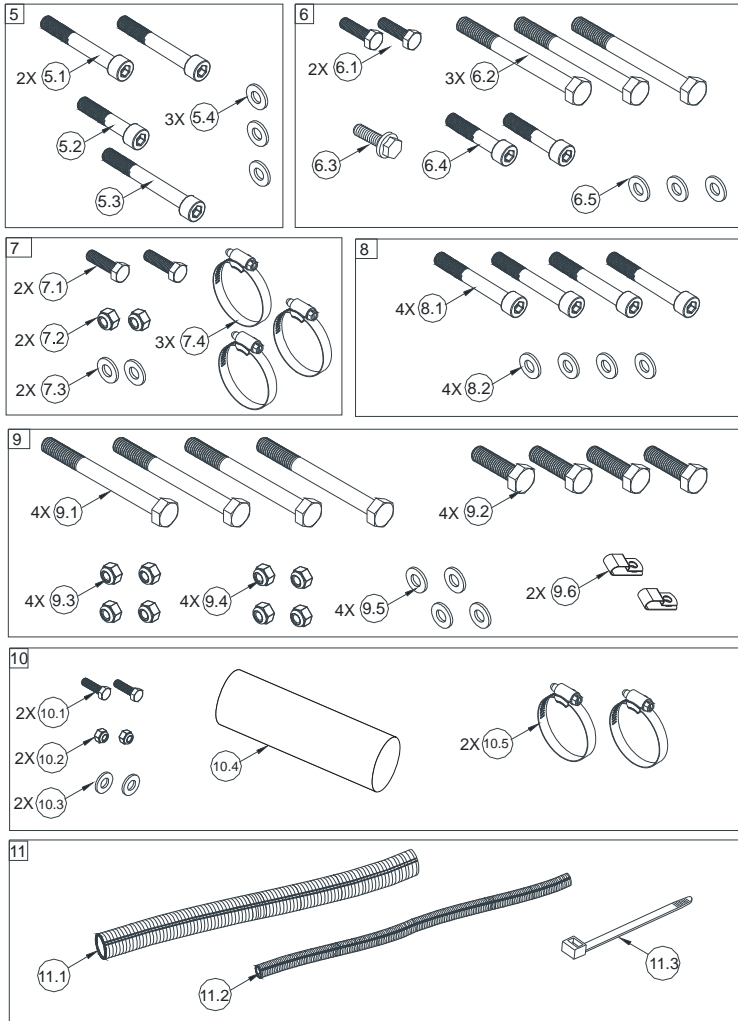


Figure 2 – Fastener Packs

3 - Compressor Assembly P140012

Item #	Part #	Qty	Description
1	1540495	4	BOLT, SHCS, M8 X 1.25 X 100, G12.9
2	1540375	2	BOLT, SHCS, M8 X 1.25 X 45
3	1540550	2	BOLT, SHCS, M8 X 1.25 X 50, G12.9
4	3500288	1	SENSOR, PRESSURE
5	4300076	2	PIPE FTG, PLUG SKT HEAD, 1/8
6	4900002	1	ELBOW, STEEL JIC/O-RING, 1/2 3/4-16
7	5000081	1	ELBOW, BRASS NPT-TUBE, 1/8-5/16
8	5000085	1	ELBOW, BRASS PIPE-TUBE, 1/4-1/8
9	5000121	1	TEE, STREET, EXTRUDED, 1/8
10	5000160	1	ADAPTER, BRASS, 1/8 X 1/8
11	5830091	1	O-RING, VITON, 3 3/8 ID X 1/8
12	5830103	1	O-RING, VITON, 5/8 ID X 3/32
13	9320020	1	INLET VALVE, BASIC INTEGRATED REG.
14	P120009	1	COMPRESSOR ASSEMBLY

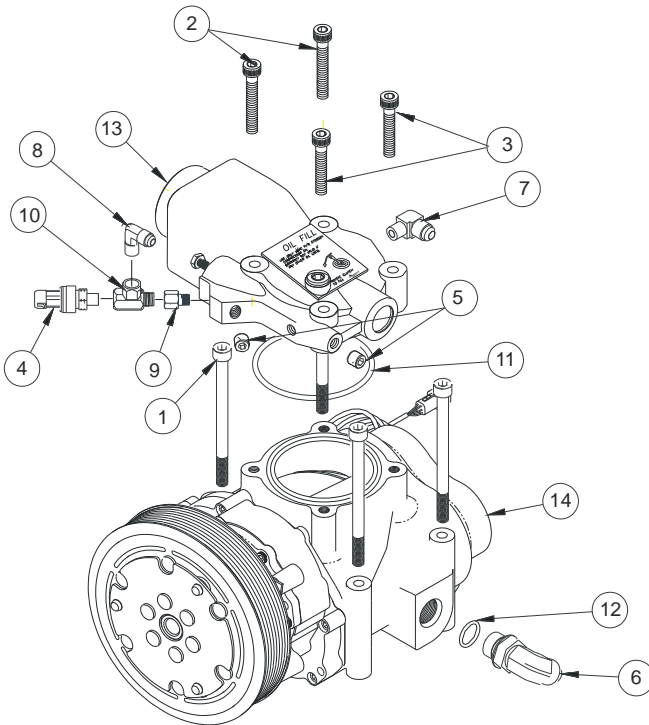


Figure 3 – Compressor Assembly

VMAC – Vehicle Mounted Air Compressors
Toll Free: 1-800-738-8622 Local: 1-250-740-3200
Fax: 1-250-740-3201

4 - Compressor Sub Components P120004

Item #	Part #	Qty	Description
1	3550682	1	TEMPERATURE PROBE
2	4900071	1	CONNECTOR, STRAIGHT, SPECIAL 1 JIC
3	P200033	1	CLUTCH COMPLETE 8 GROOVE

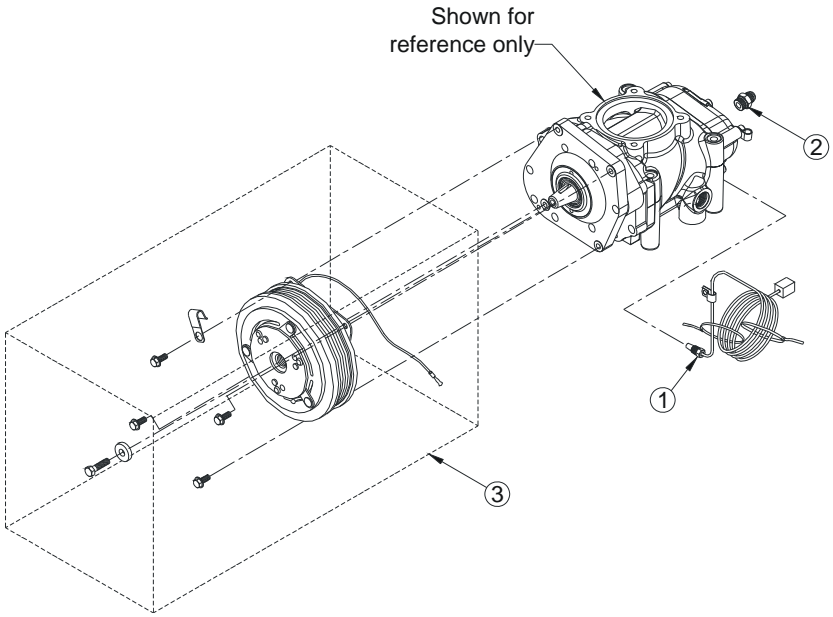


Figure 4– Compressor Sub Components

5 - Inlet Valve Sub Components 9320020

Item #	Part #	Qty	Description
1	1500077	4	SCREW, BUTTON HEAD, 10 - 32 X 3/8
2	3200288	1	PLATE, INNER FILTER
3	3600046	1	KIT, REGULATOR
4	4900045	1	PLUG
5	5830002	1	O-RING, VITON, 2 3/8 ID X 3/32
6	5830129	1	O-RING, VITON, 1 7/8 ID X 3/16
7	5830070	1	O-RING, VITON, 2 9/16 ID X 3/32

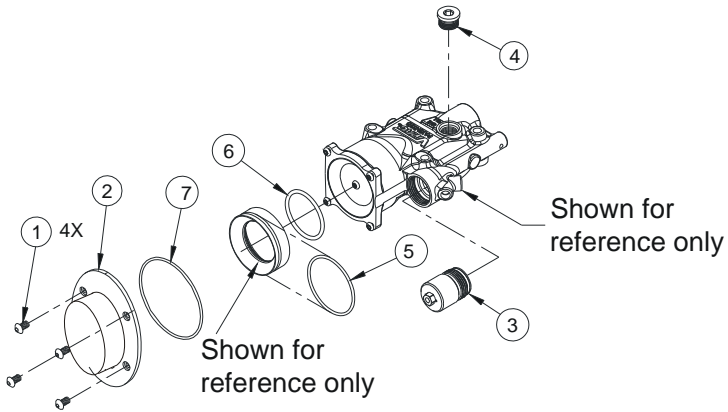


Figure 5 – Inlet Valve Sub Components

6 - Tank 9210039

Item #	Part #	Qty	Description
1	1510016	6	BOLT, HHCS NC G8 PL, 3/8 X 1 1/2
2	1510522	2	BOLT, HHCS NC G8 FL LK PL, 1/4 X 1/2
3	1570009	6	WASHER, SPLIT LOCK, 3/8
4	3200231	1	COVER, SIGHT GLASS
5	3600071	1	ELEMENT, SEP, COALESCING
6	3600075	1	SEAL, TANK REAR CAP
7	3600090	1	THIMBLE, SCREEN
8	4100358	1	COALESCER SPRING PLATE
9	4900035	1	NIPPLE, STEEL STR THRD, 3/4 - 16
10	4900065	1	PLUG, HEX HEAD STEEL ALLEN, 5
11	4900074	1	CONNECTOR, 1" PIPE TO 1" JIC
12	5000089	1	CONNECTOR, BRASS NPT-SAE, 3/8 - 1/2
13	5830123	1	O-RING, VITON, 7 ID X 1/8
14	5840068	1	SPRING, COMPRESSION, 2.187 OD X 5
15	5840069	1	SPRING, COMPRESSION, FL 1.5", OD .54
16	9200039	1	OIL FILTER, VR 3.250 SHORT
17	9210028	1	CAP, BLOWDOWN VR140
17.1	3600073	1	VALVE, SAFETY, 3/8, 200 PSI
17.2	4500104	1	MUFFLER, SINTERED EXHAUST, 1/8"
18	A700061	1	SIGHT GLASS ASSEMBLY

VMAC – Vehicle Mounted Air Compressors

Toll Free: 1-800-738-8622 Local: 1-250-740-3200

Fax: 1-250-740-3201

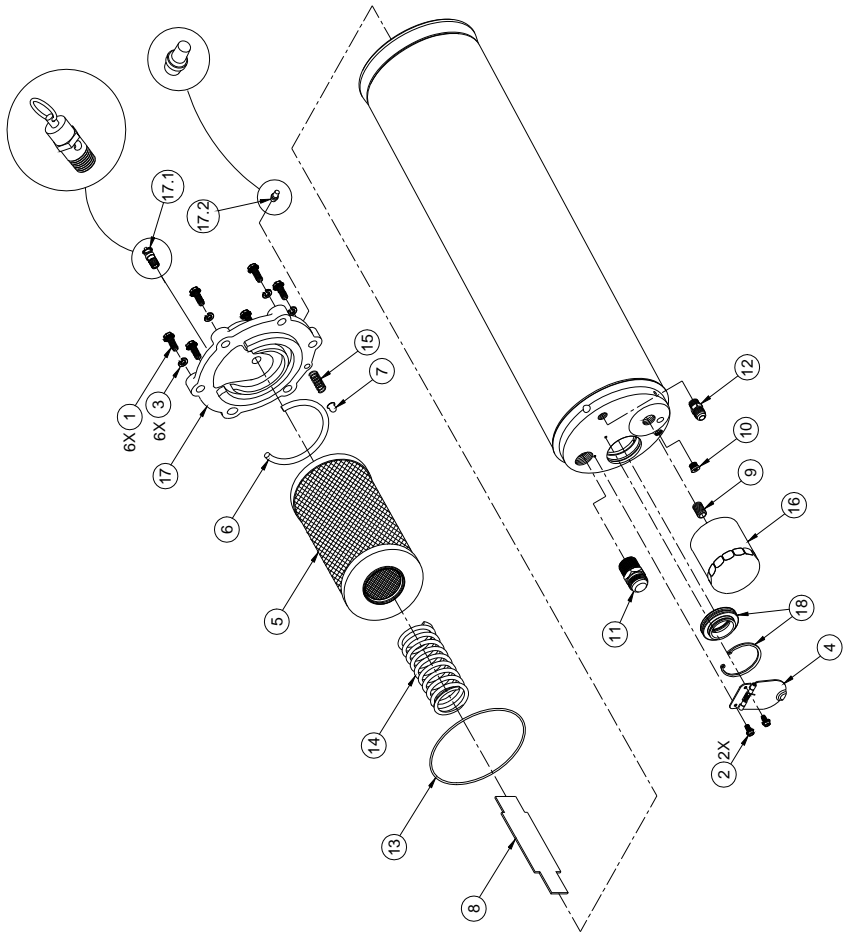


Figure 6 - Tank

7 - Main Bracket Assembly 4800433

Item #	Part #	Qty	Description
1	1100164	1	BRACKET, MAIN
2	1200447	1	ADAPTER
3	1300010	3	IDLER, SERP, 8 RIB BACK STEEL
4	1300023	1	IDLER, PULLEY, 8 RIB, 3
5	1400051	4	SPACER, IDLER – BOLT
6	1510161	4	BOLT, HHCS NC G8 FL, 1/2 X 1 1/4
7	1520210	1	BOLT, HHCS G10.9, M10 X 1.5 X 80
8	1540389	4	BOLT, SHCS, M8 X 1.25 X 18 LOW PROFILE
9	1570044	1	WASHER, ALLOY PL SAE, 3/8
10	3300024	1	TENSIONER

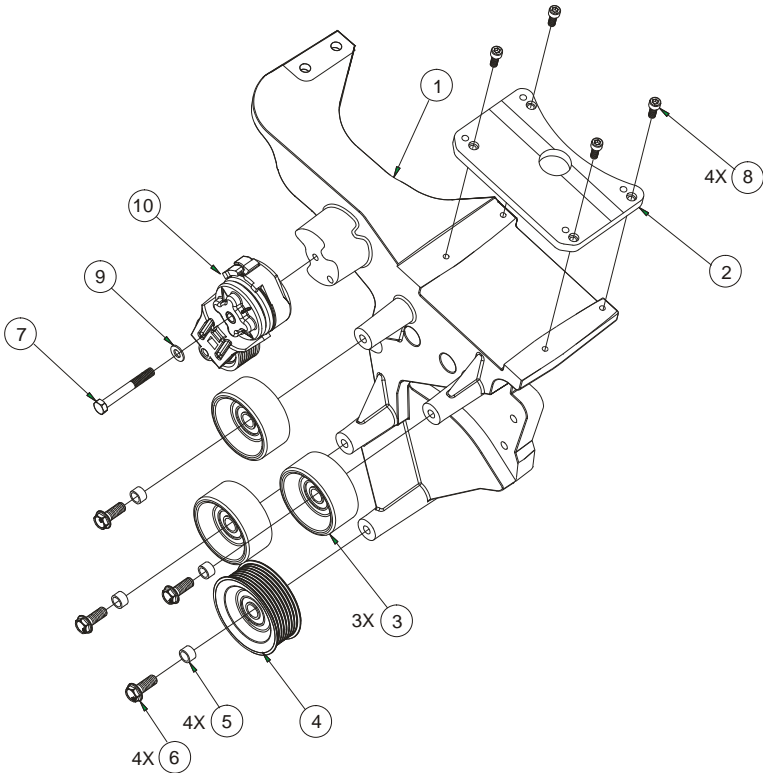


Figure 7 – Main Bracket Assembly

VMAC – Vehicle Mounted Air Compressors

Toll Free: 1-800-738-8622 Local: 1-250-740-3200

Fax: 1-250-740-3201

8 – Cooler Assembly 4800434

Item #	Part #	Qty	Description
1	1710672	1	HOSE, MODIFIED
2	1720603	1	TUBE
3	2200158	2	CLAMP, HOSE HS40
4	5000016	1	CONNECTOR, BRASS HOSE BARB, 3/4-3/4
5	9210103	1	COOLER

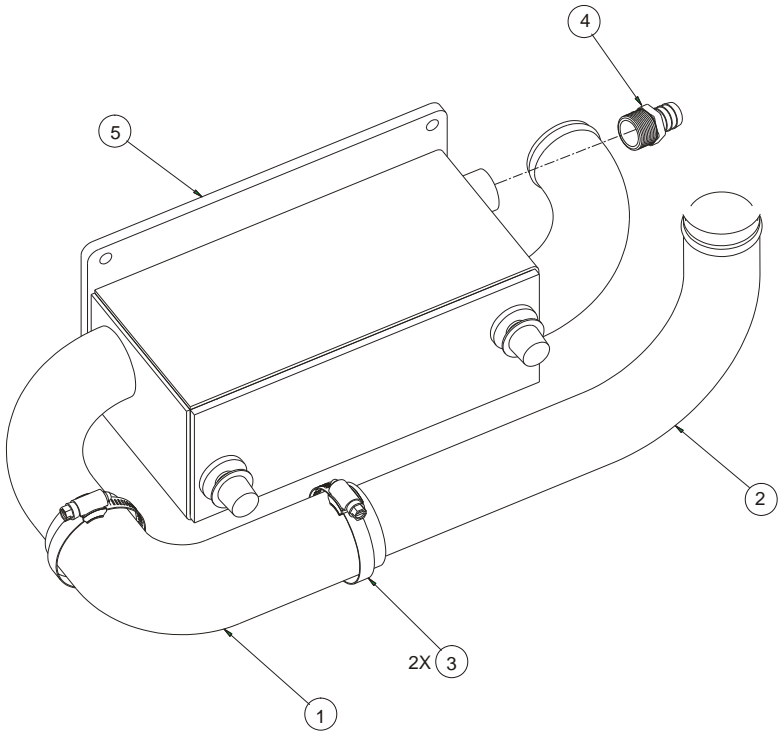


Figure 8 – Cooler Assembly

9 – Remote Filter 4800394

Item #	Part #	Qty	Description
1	1200396	1	PLATE, REMOTE FILTER MOUNT
2	1200397	1	BRACKET, REMOTE FILTER MOUNT
3	1400200	1	SPACER
4	1500532	1	ROD, THREADED, 1/4 X 5.62"
5	1520147	2	BOLT, HHCS G8.8,M8 X 1.25 X 20 FULL
6	1550029	1	NUT, NYLOCK NC, 1/4
7	1550514	1	NUT, FLANGE TORQ LOCK NC, 1/4-20
8	1560407	2	NUT, NYLOCK, M8
9	1570067	2	WASHER, SAE, 5/16
10	3600072	1	ELEMENT, FILTER, PAPER
11	3600091	1	CAP, FILTER

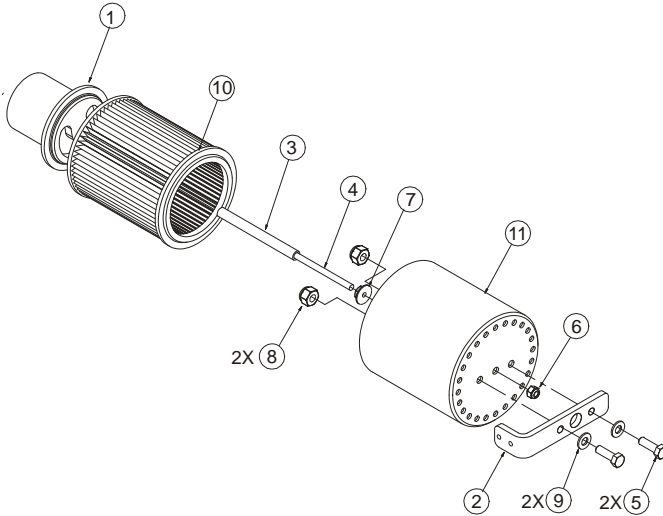


Figure 9 – Remote Filter

VMAC – Vehicle Mounted Air Compressors

Toll Free: 1-800-738-8622 Local: 1-250-740-3200

Fax: 1-250-740-3201